

4

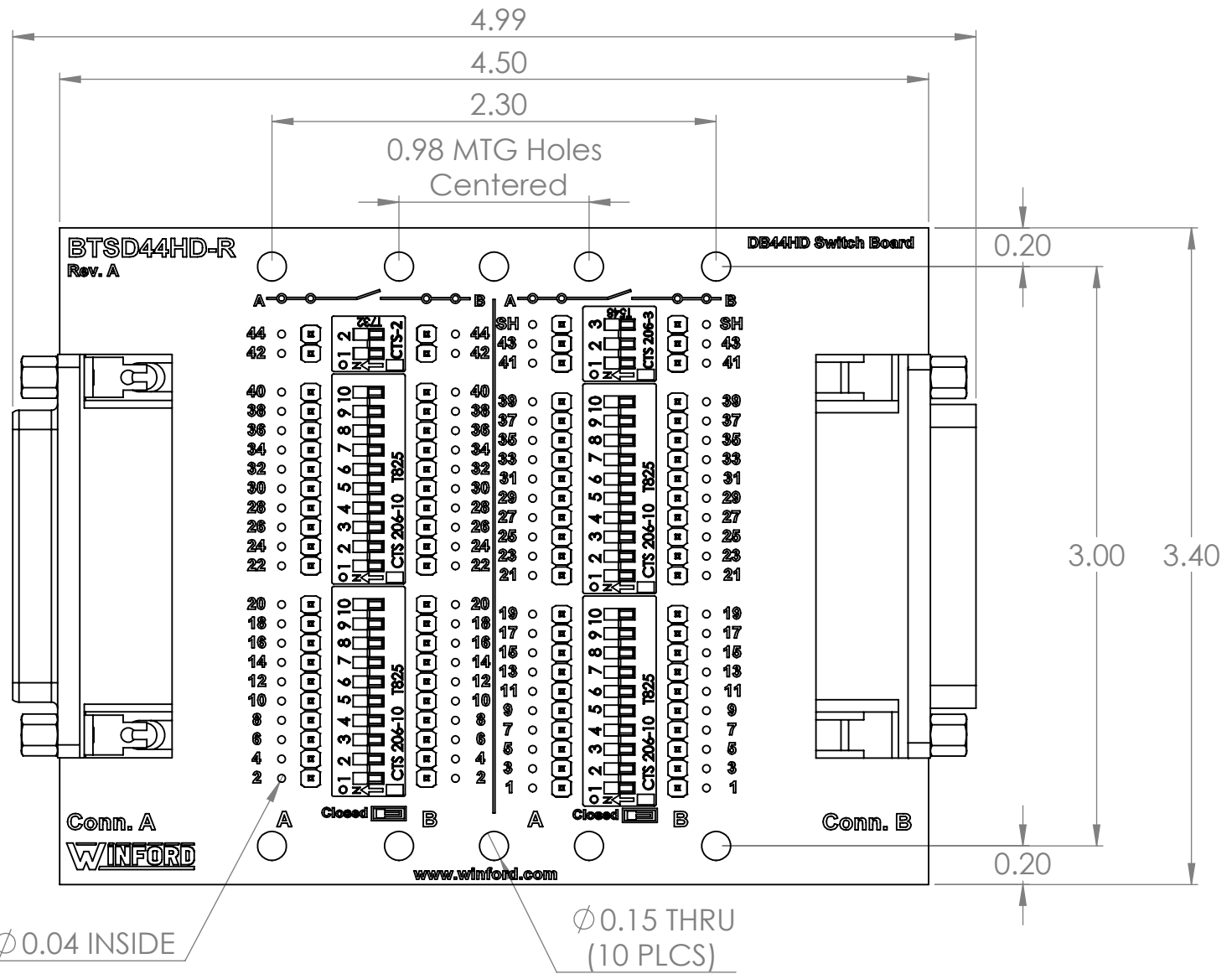
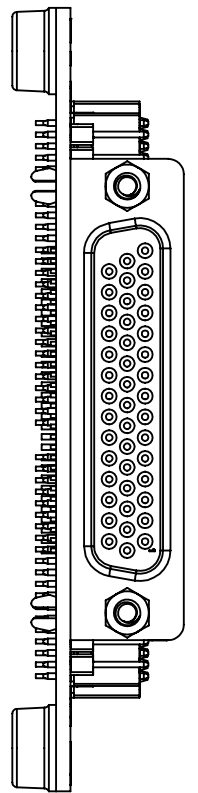
3

2

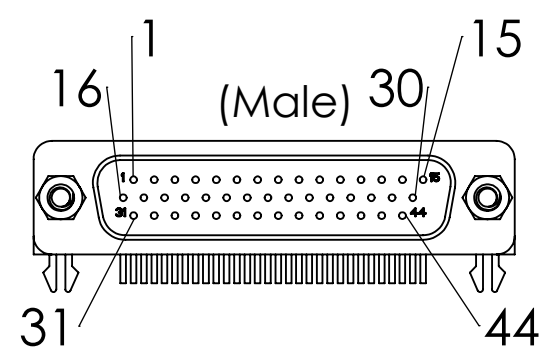
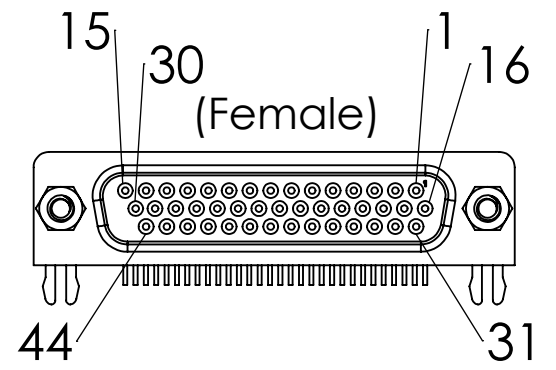
1

B

B



Connector Pinout



4

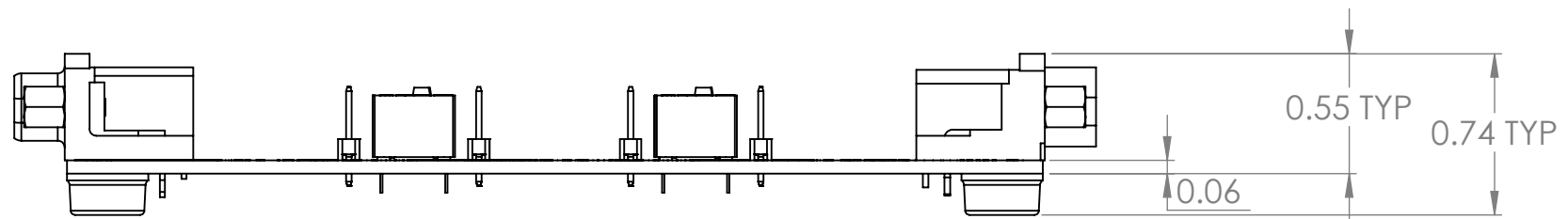
3


2

1

A

A



DIM: INCH	DATE: 12/03/2021	RoHS COMPLIANT: Yes	DESCRIPTION:
 WINFORD ENGINEERING, LLC 4561 GARFIELD ROAD AUBURN, MI 48611			DB44HD Diagnostic Breakout Switch Board
www.winford.com		989-671-9721	PART NUMBER (S) <b>BTSD44HD-R-FT</b>
			PART REVISION <b>A</b>