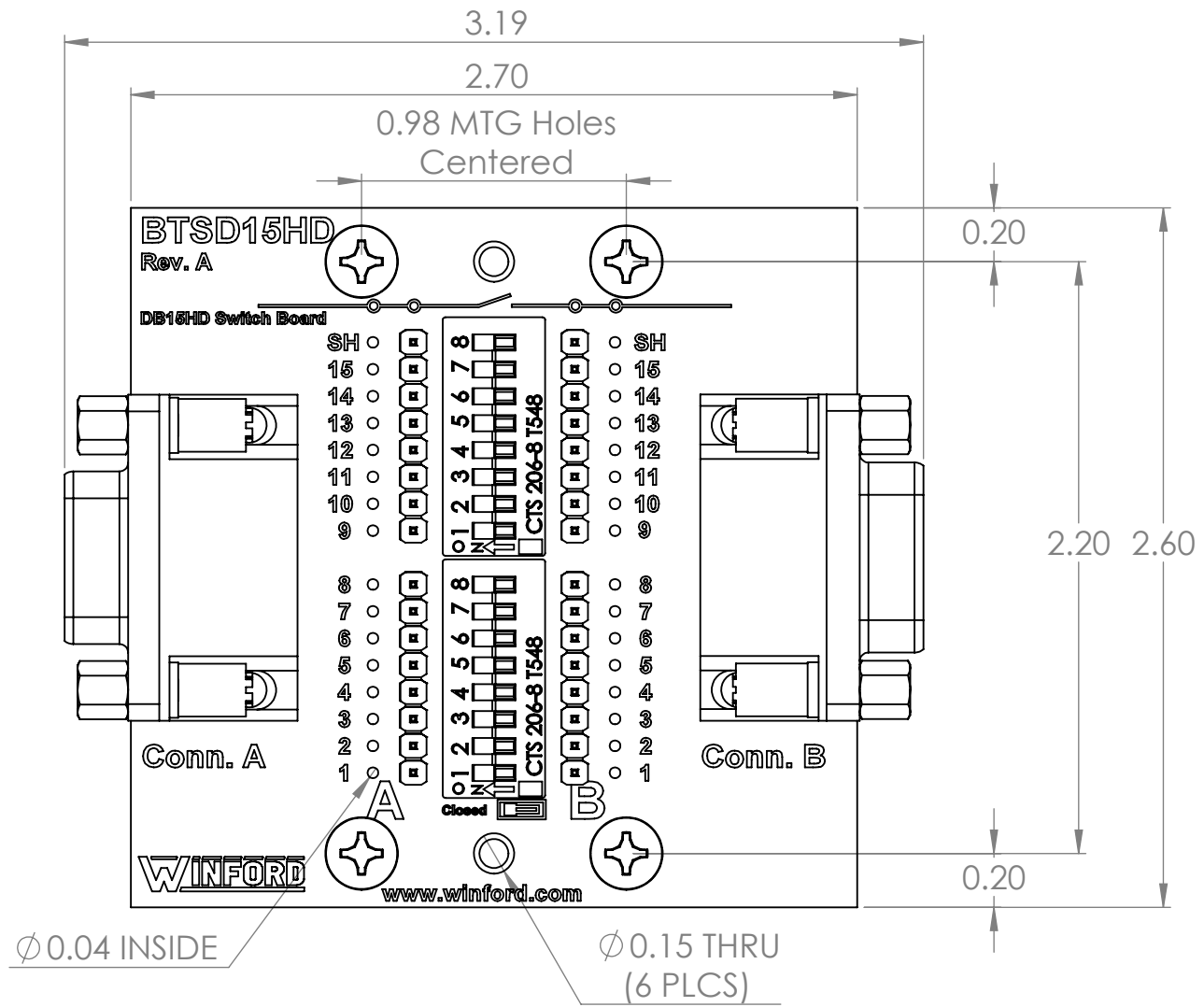
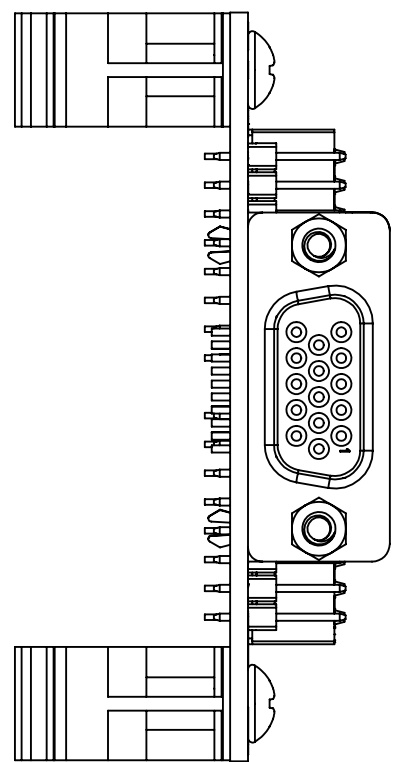


4

3

2

1



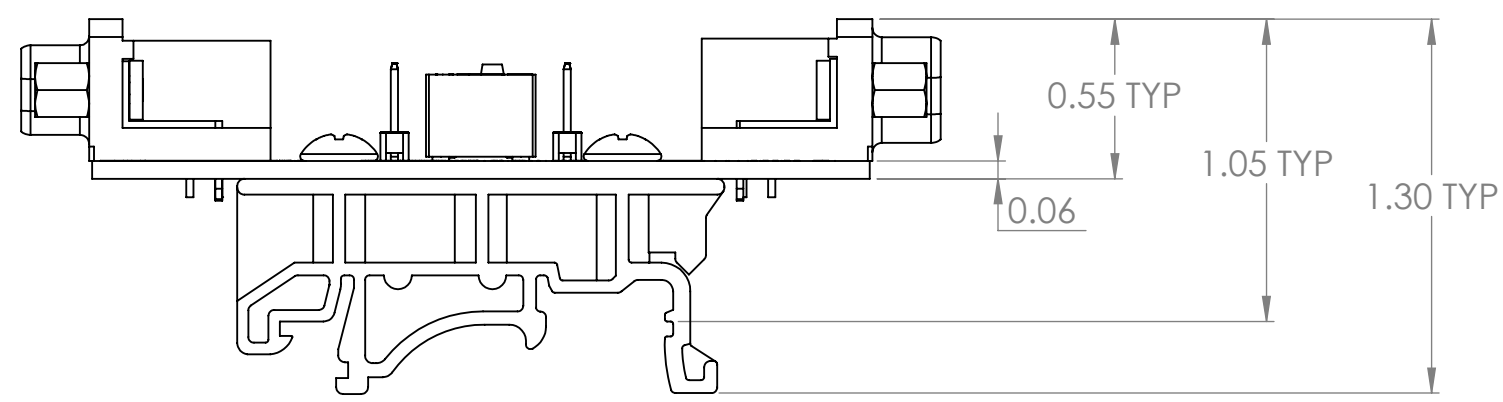
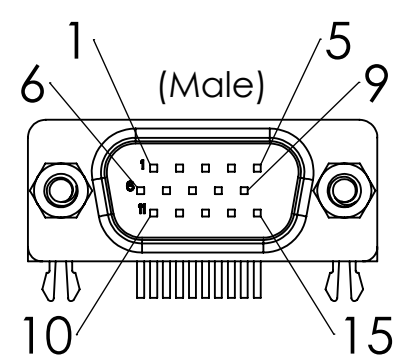
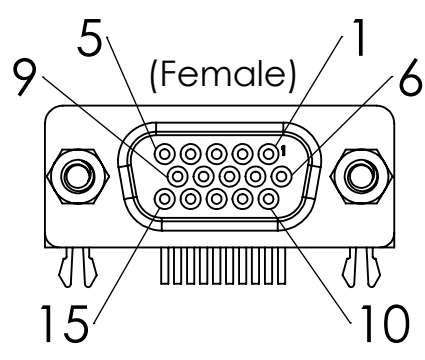
B

B

A

A

### Connector Pinout



DIM: INCH	DATE: 11/24/2021	RoHS COMPLIANT: Yes	DESCRIPTION: DB15HD Diagnostic Breakout Switch Board
WINFORD ENGINEERING, LLC 4561 GARFIELD ROAD AUBURN, MI 48611			PART NUMBER (S) <b>BTSD15HD-R-DIN</b>
www.winford.com		989-671-9721	PART REVISION <b>A</b>

4

3

2

1