

4

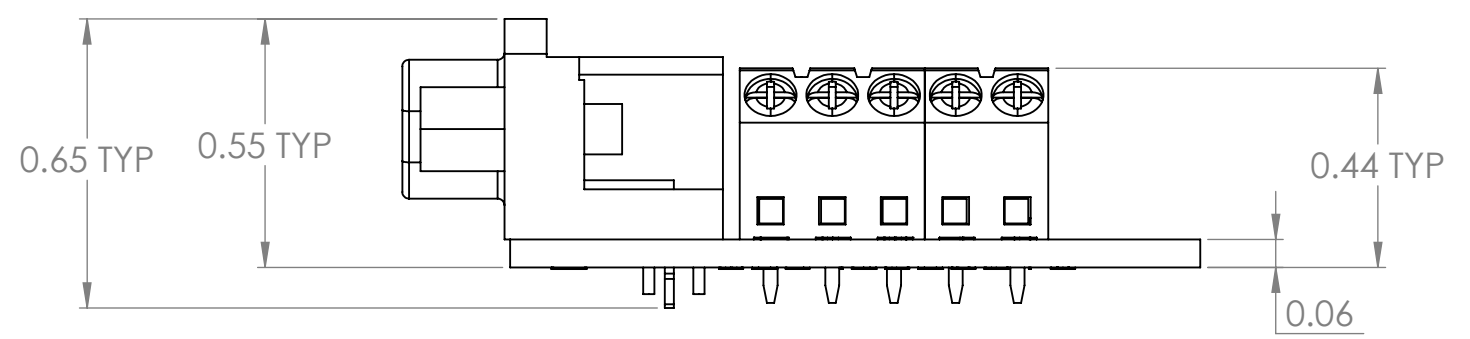
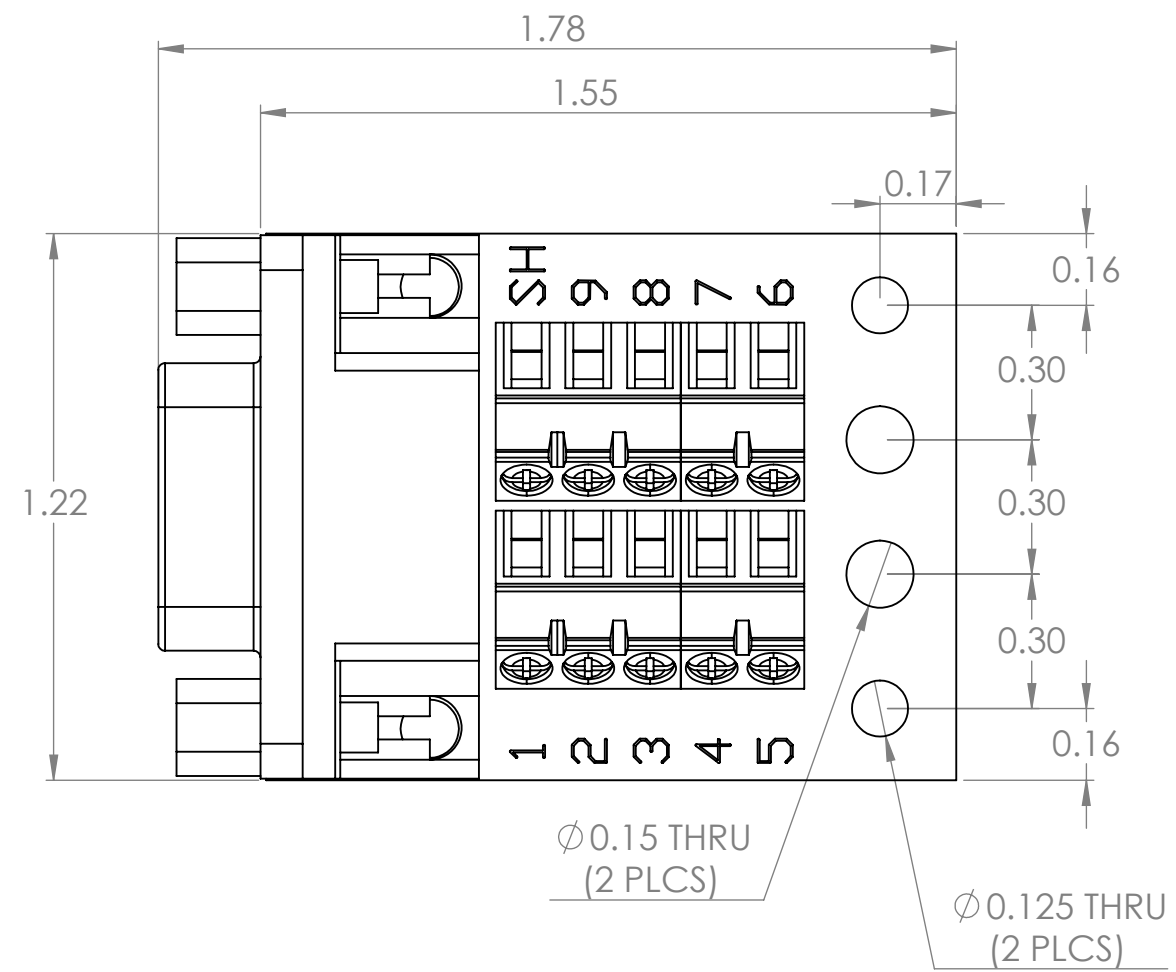
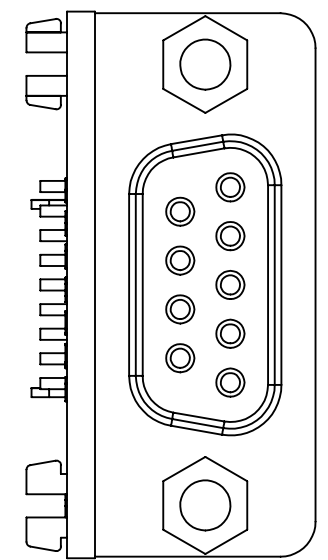
3

2

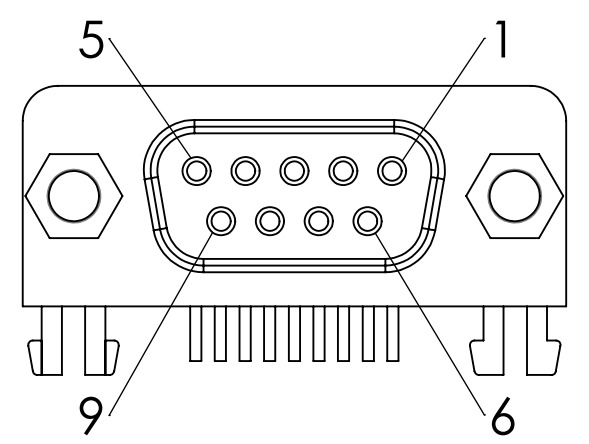
1

B

B



Connector Pinout  
(Female)



4


3

2

1

A

A

DIM: INCH	DATE: 08/25/2021	RoHS COMPLIANT: Yes	DESCRIPTION:
 WINFORD ENGINEERING, LLC 4561 GARFIELD ROAD AUBURN, MI 48611			DB9 Female Slim Breakout Board
www.winford.com		989-671-9721	PART NUMBER (S) <b>BRKSD9F-R</b>
			PART REVISION <b>A</b>