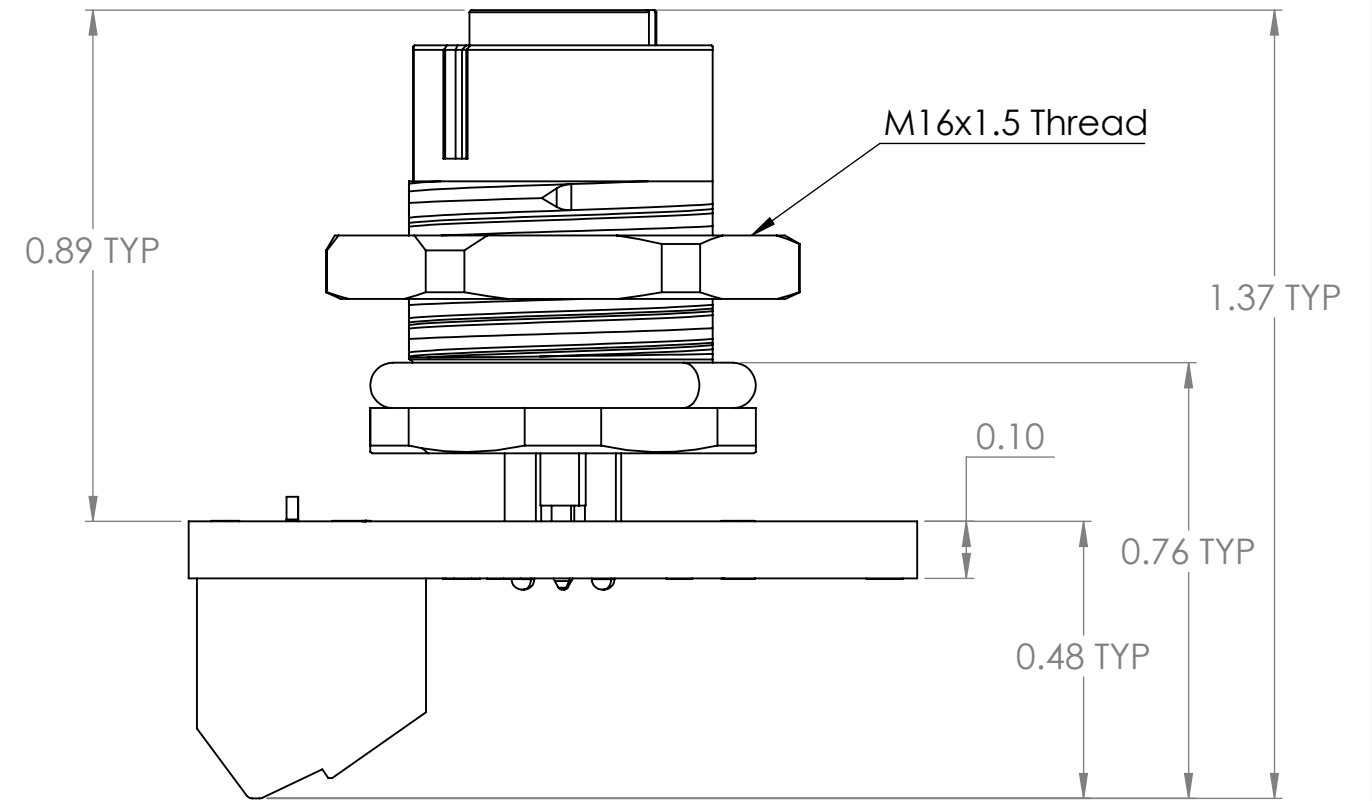
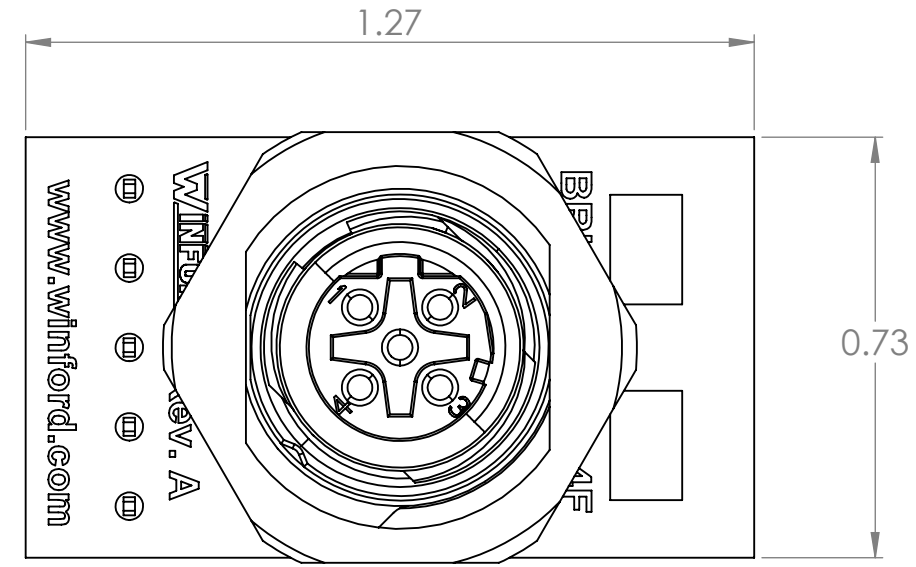
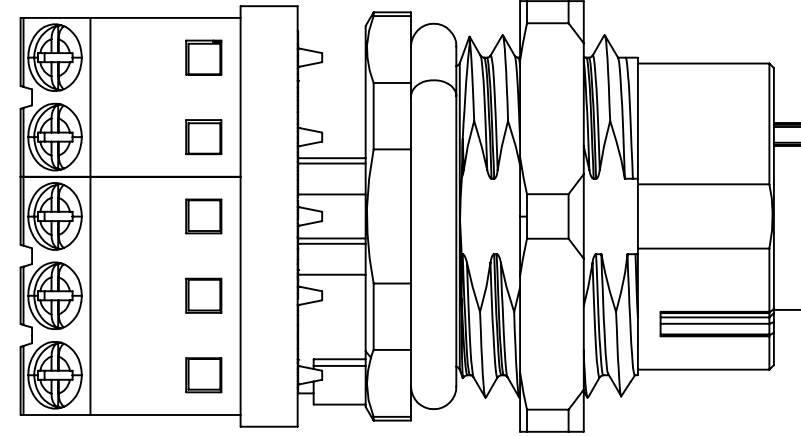
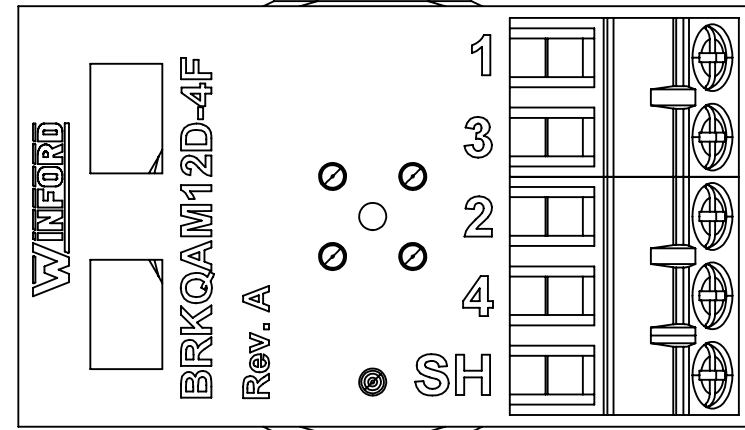


4

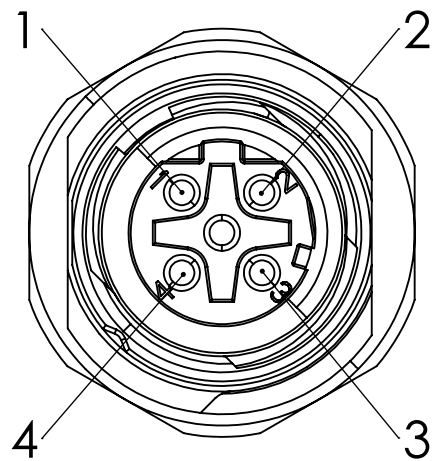
3

2

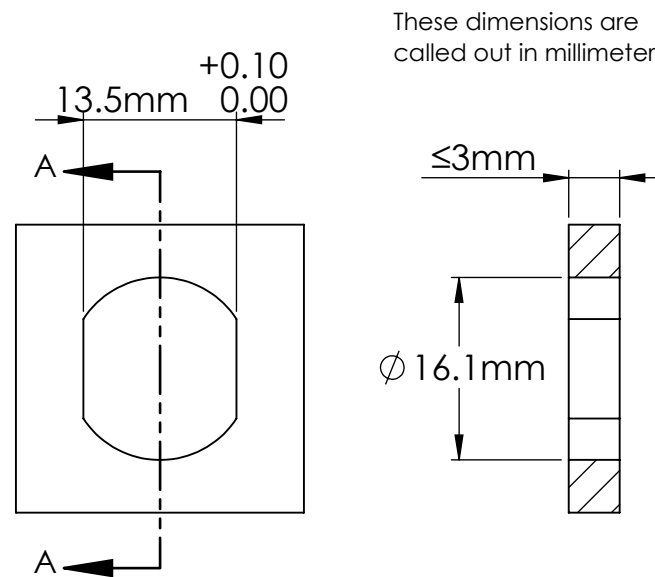
1



Connector Pinout  
(Female)



Recommended Panel Cutout



These dimensions are called out in millimeters

DIM: INCH

DATE: 03/06/23

RoHS COMPLIANT: Yes

DESCRIPTION:

M12 4 Pin Female Breakout Board



WINFORD ENGINEERING, LLC  
4561 GARFIELD ROAD  
AUBURN, MI 48611

PART NUMBER (S)

BRKQAM12D-4F-A

PART REVISION

A

www.winford.com

989-671-9721

4

3

2

1

B

B

A

A