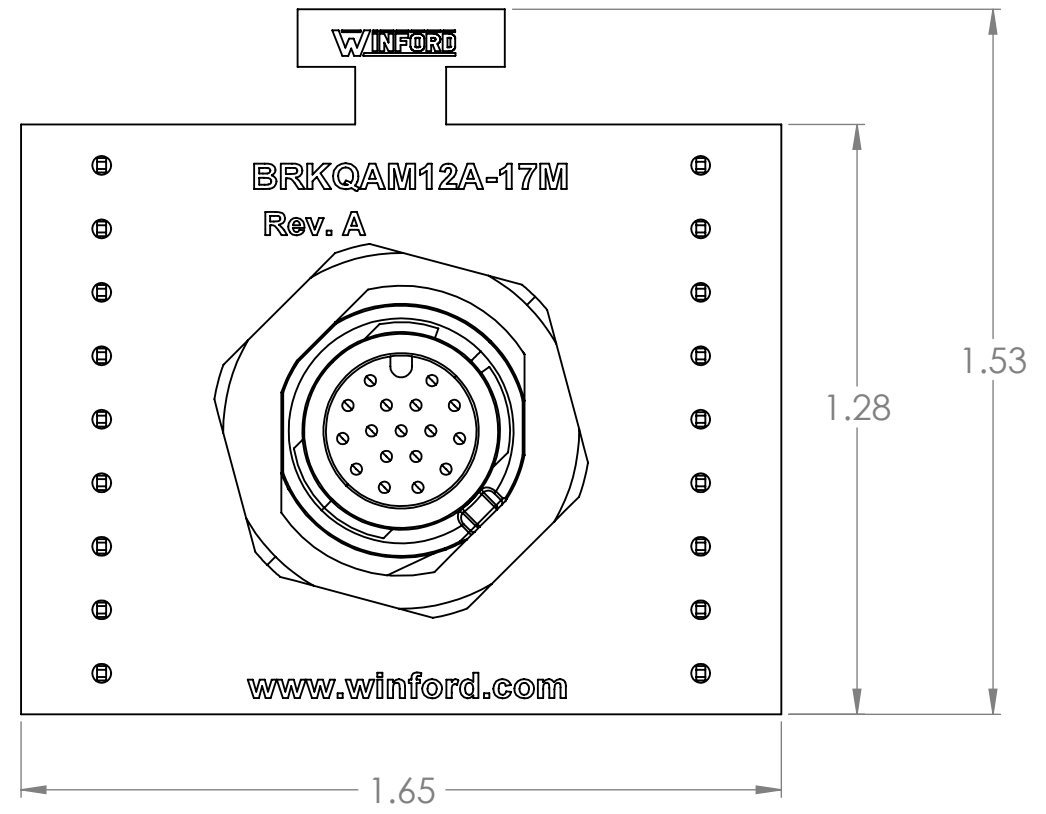
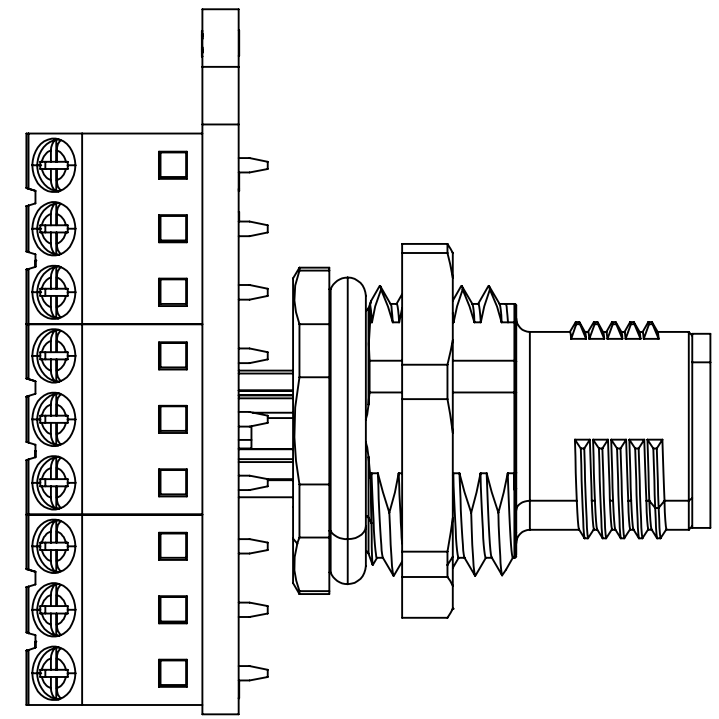
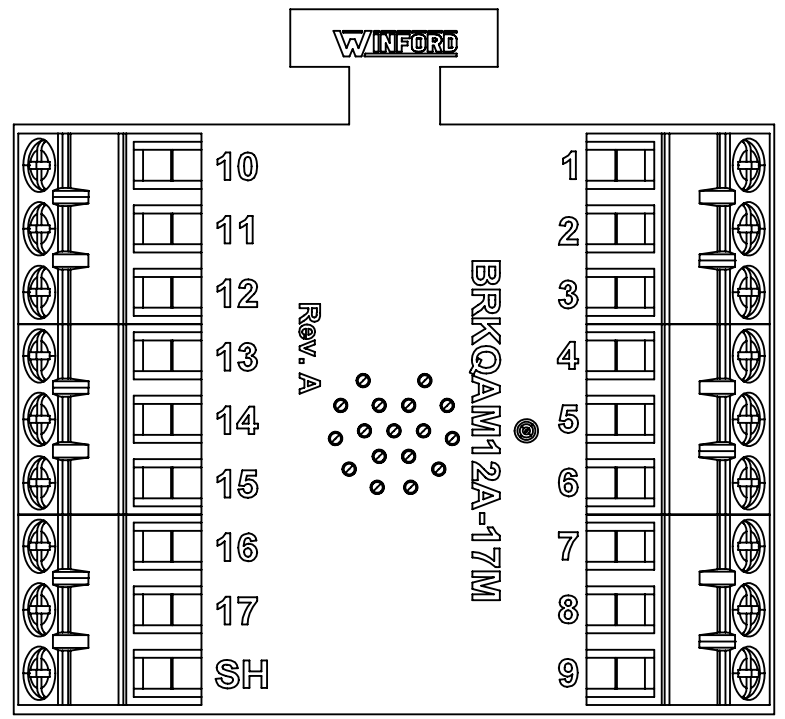


4

3

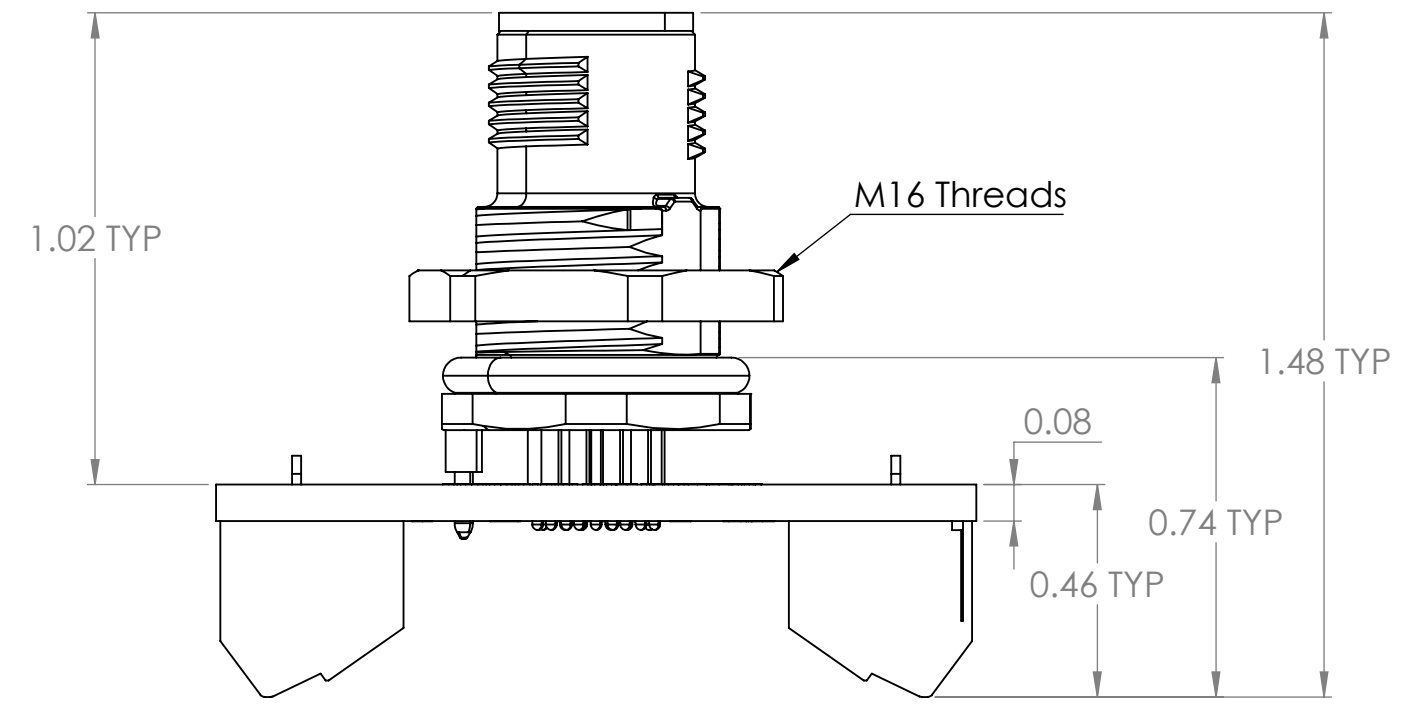
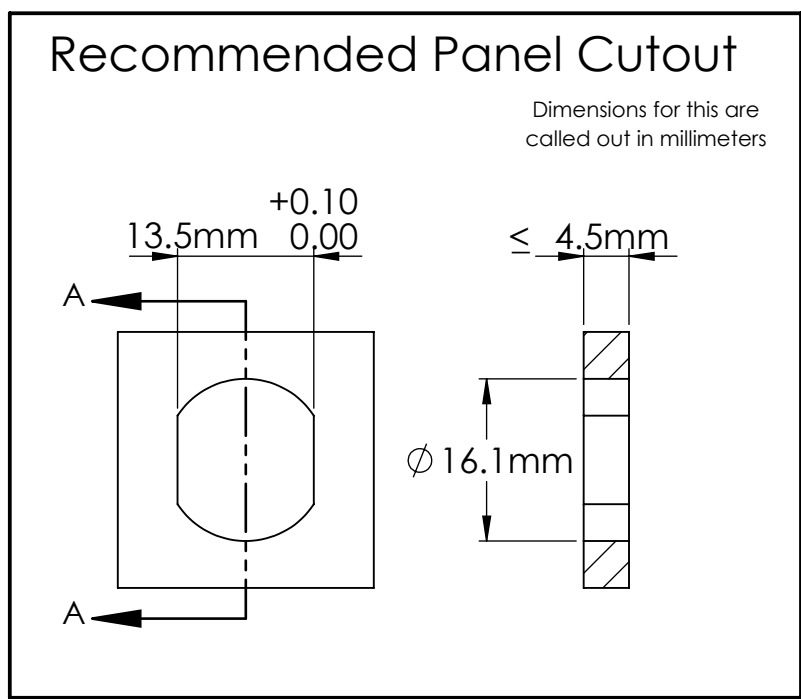
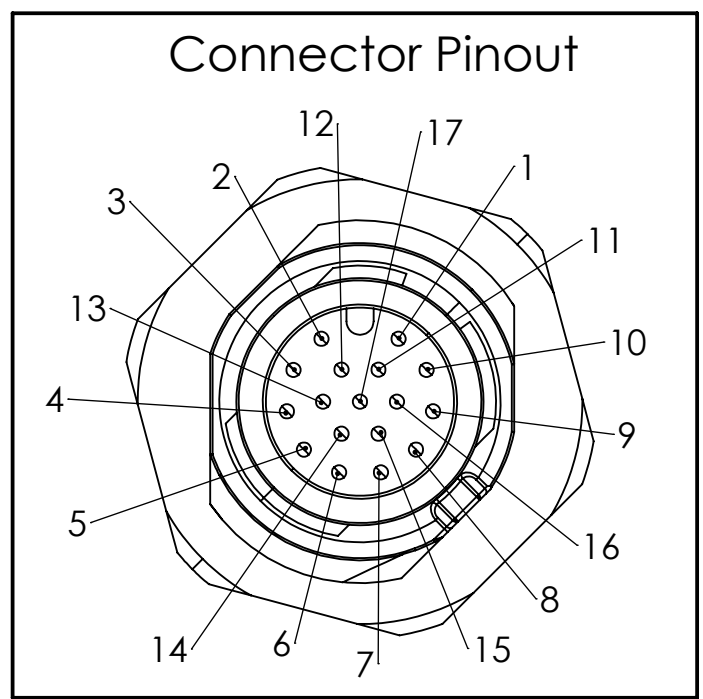
2

1



B

B



A

A

4

3

2

1

DIM: INCH	DATE: 04/29/2021	RoHS COMPLIANT: Yes	DESCRIPTION:
			M12 17 Pin Male Breakout Board
WINFORD ENGINEERING, LLC 4561 GARFIELD ROAD AUBURN, MI 48611			PART NUMBER (S)
www.winford.com			BRKQAM12A-17M-A
989-671-9721			PART REVISION
			A