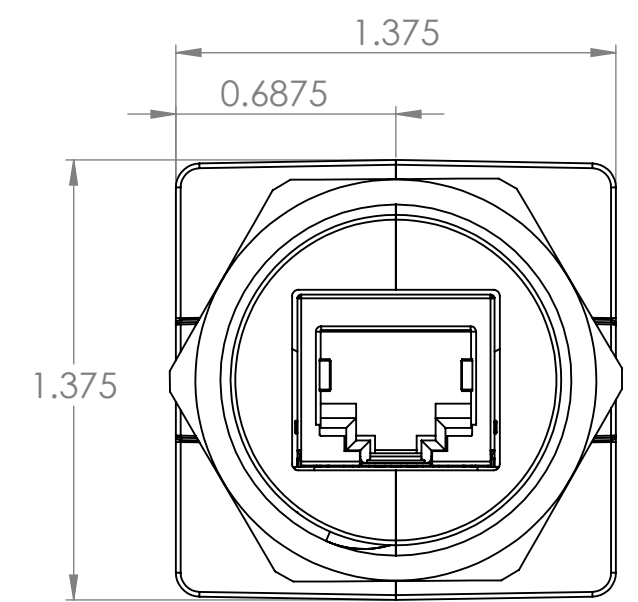
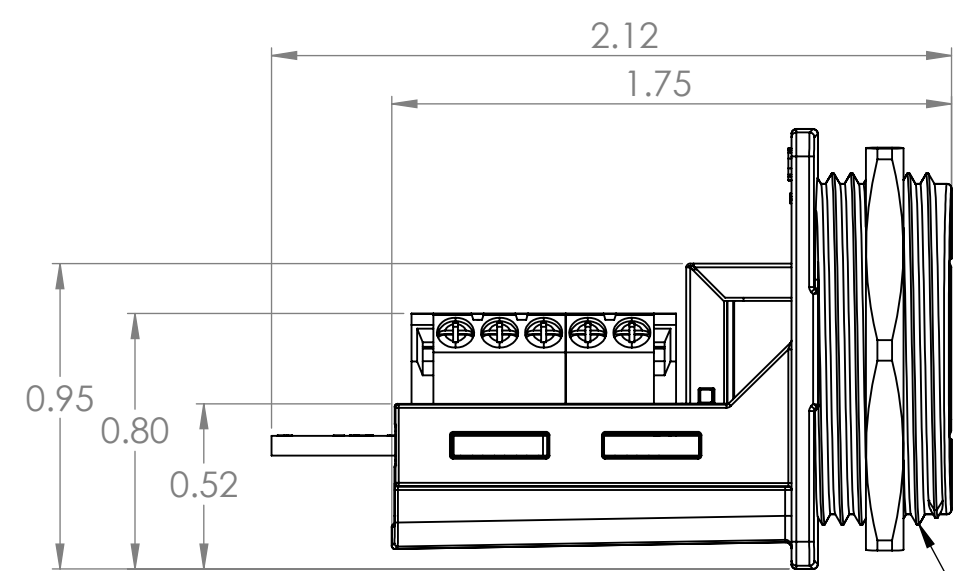
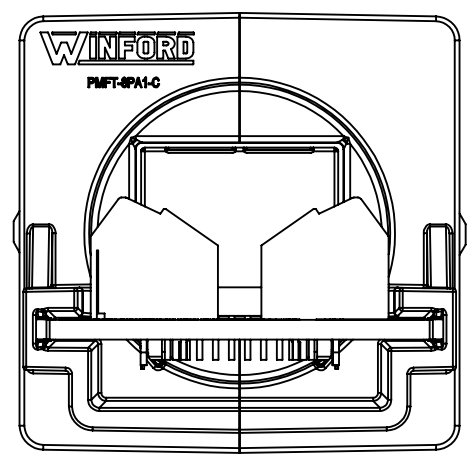
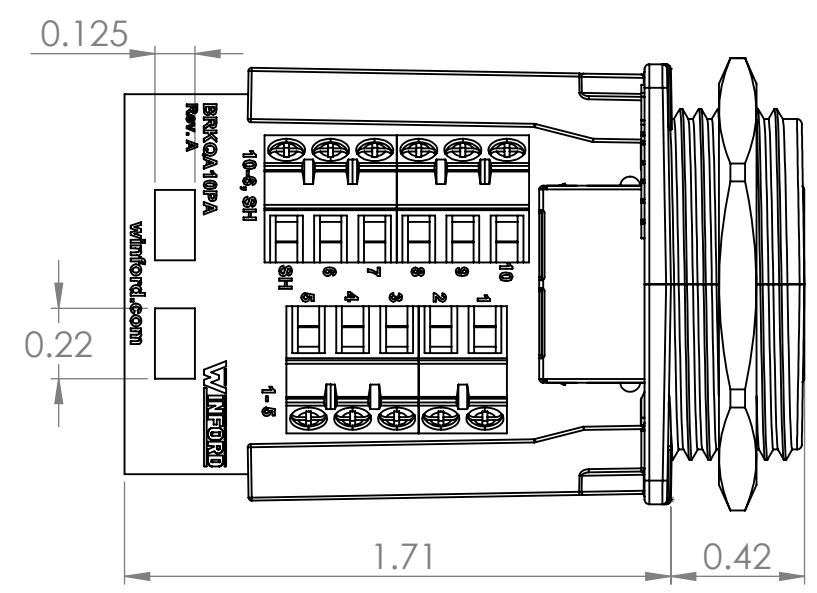
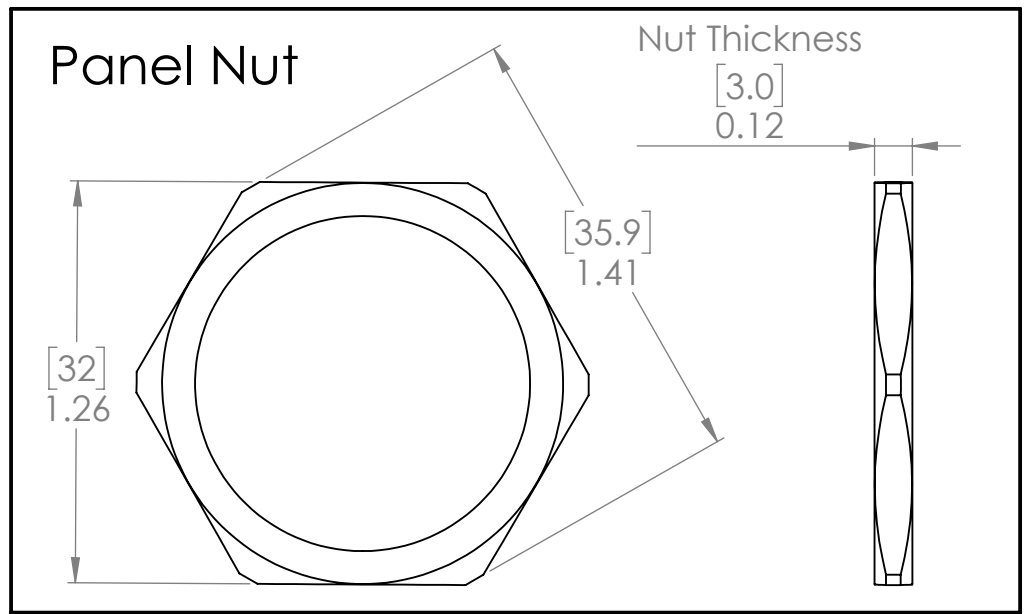


4

3

2

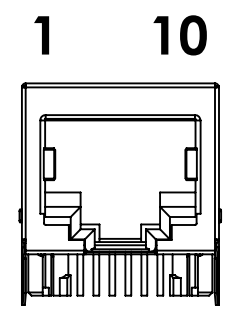
1



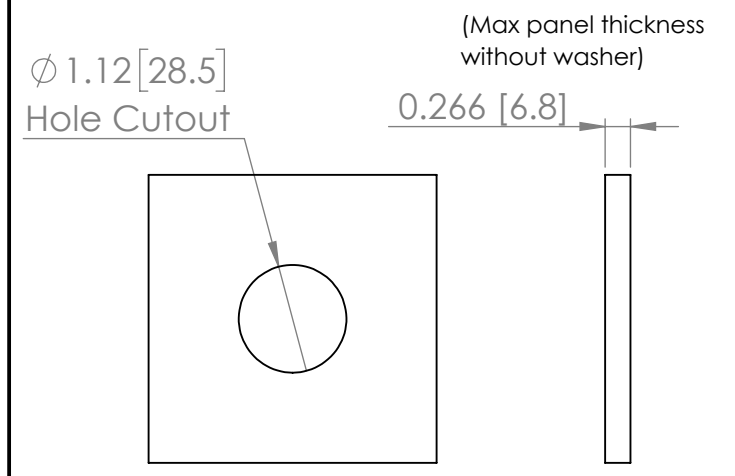
B

B

Connector Pinout



Recommended Panel Cutout



Washer not included, but available as part number: SWF-M28-B-BULK

DIM: INCH	DATE: 07/27/2023	RoHS COMPLIANT: Yes	DESCRIPTION: RJ50 10P10C Shielded Jack Panel Mount Breakout Board
WINFORD ENGINEERING, LLC 4561 GARFIELD ROAD AUBURN, MI 48611			PART NUMBER (S) BRKQA10PA-U
www.winford.com		989-671-9721	PART REVISION A

4

3

2

1

A

A