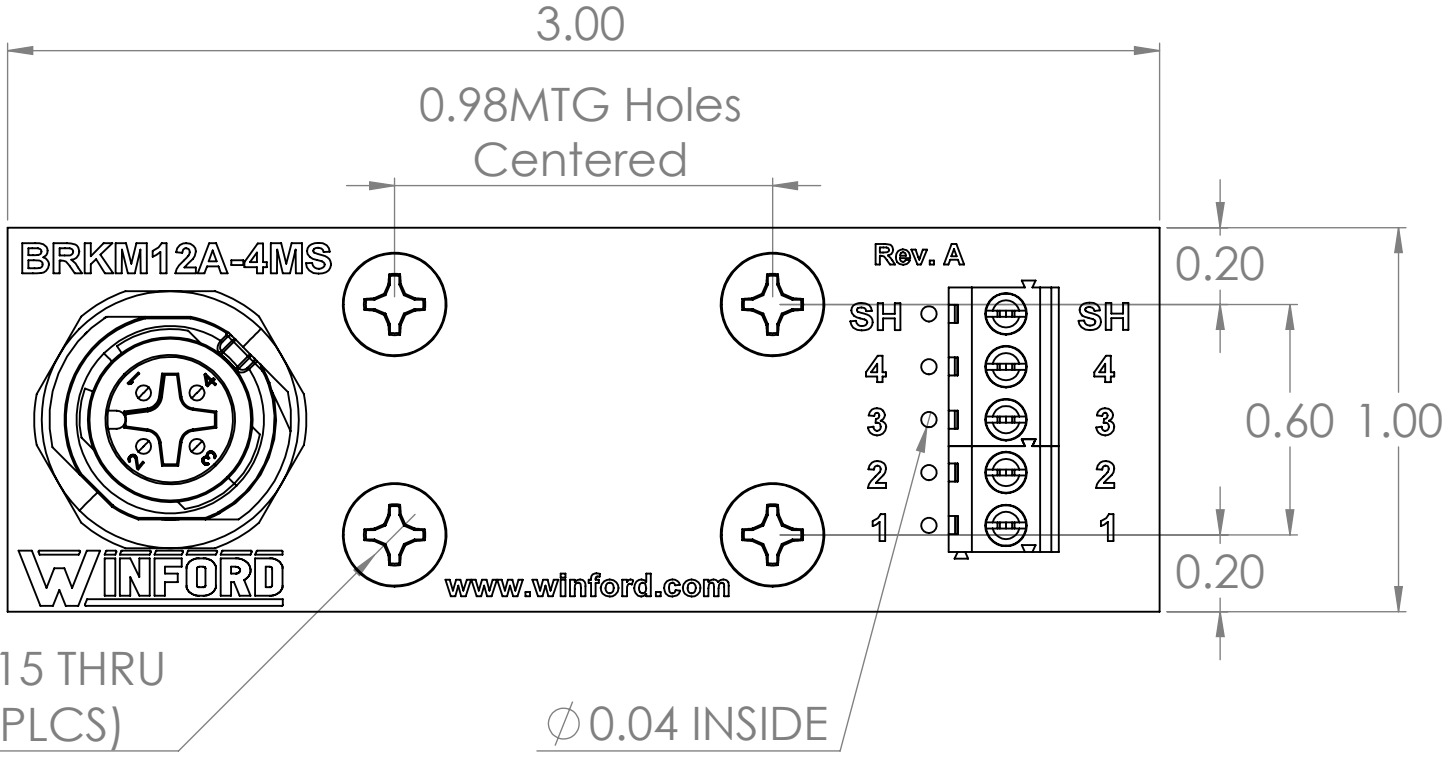
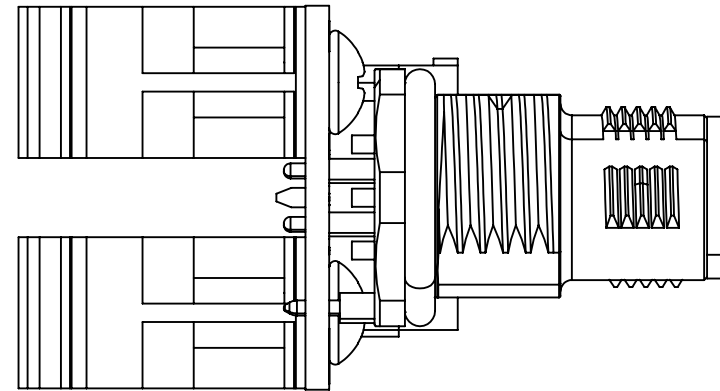


4

3

2

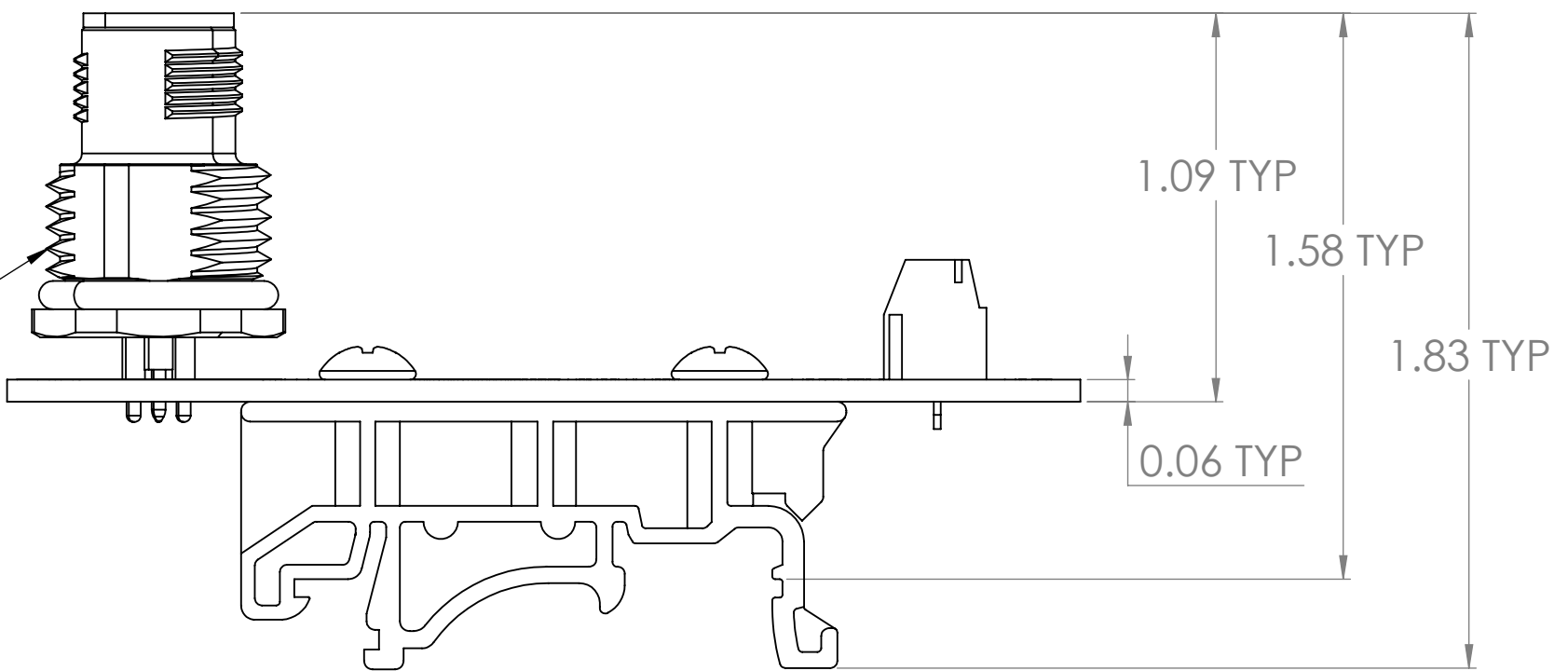
1



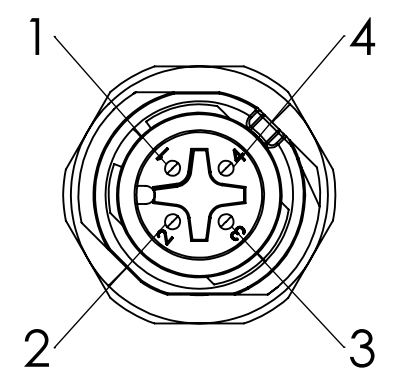
Ø0.15 THRU  
(4 PLCS)


Ø0.04 INSIDE

M16x1.5 Thread



Connector Pinout  
(Male)



DIM: INCH	DATE: 01/11/2023	RoHS COMPLIANT: Yes	DESCRIPTION:
 WINFORD ENGINEERING, LLC 4561 GARFIELD ROAD AUBURN, MI 48611			M12, 4 Pin Male Breakout Board
www.winford.com		989-671-9721	PART NUMBER (S) <b>BRKM12A-4MS-DIN</b>
			PART REVISION <b>A</b>

4

3

2

1