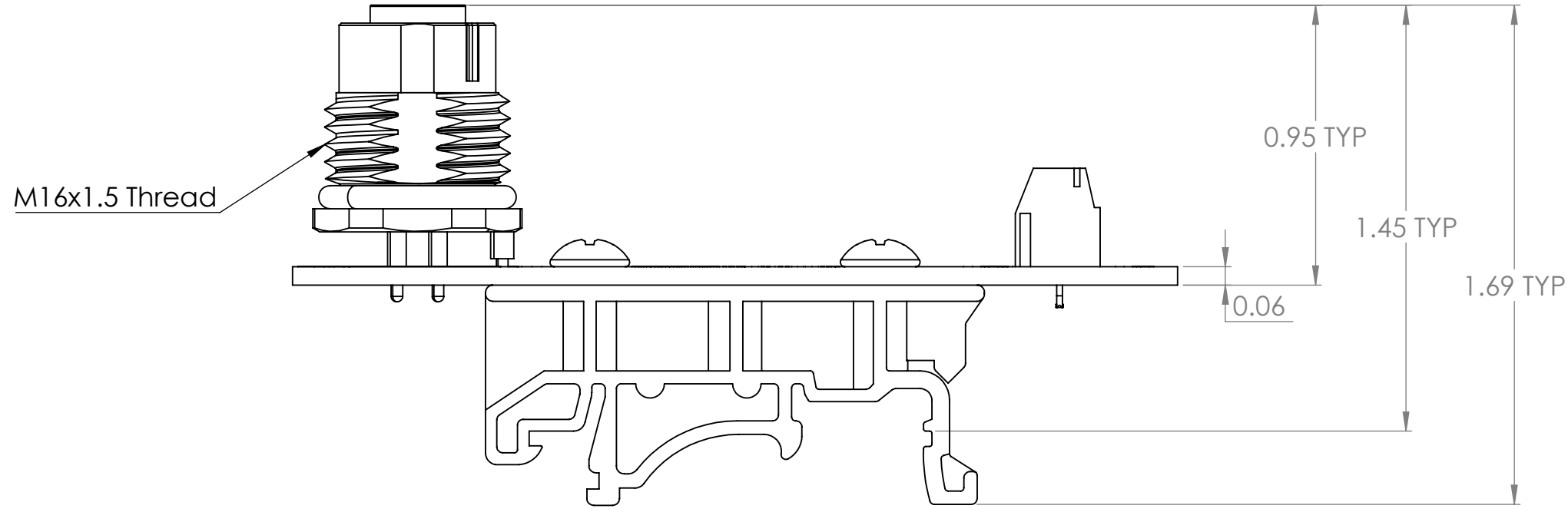
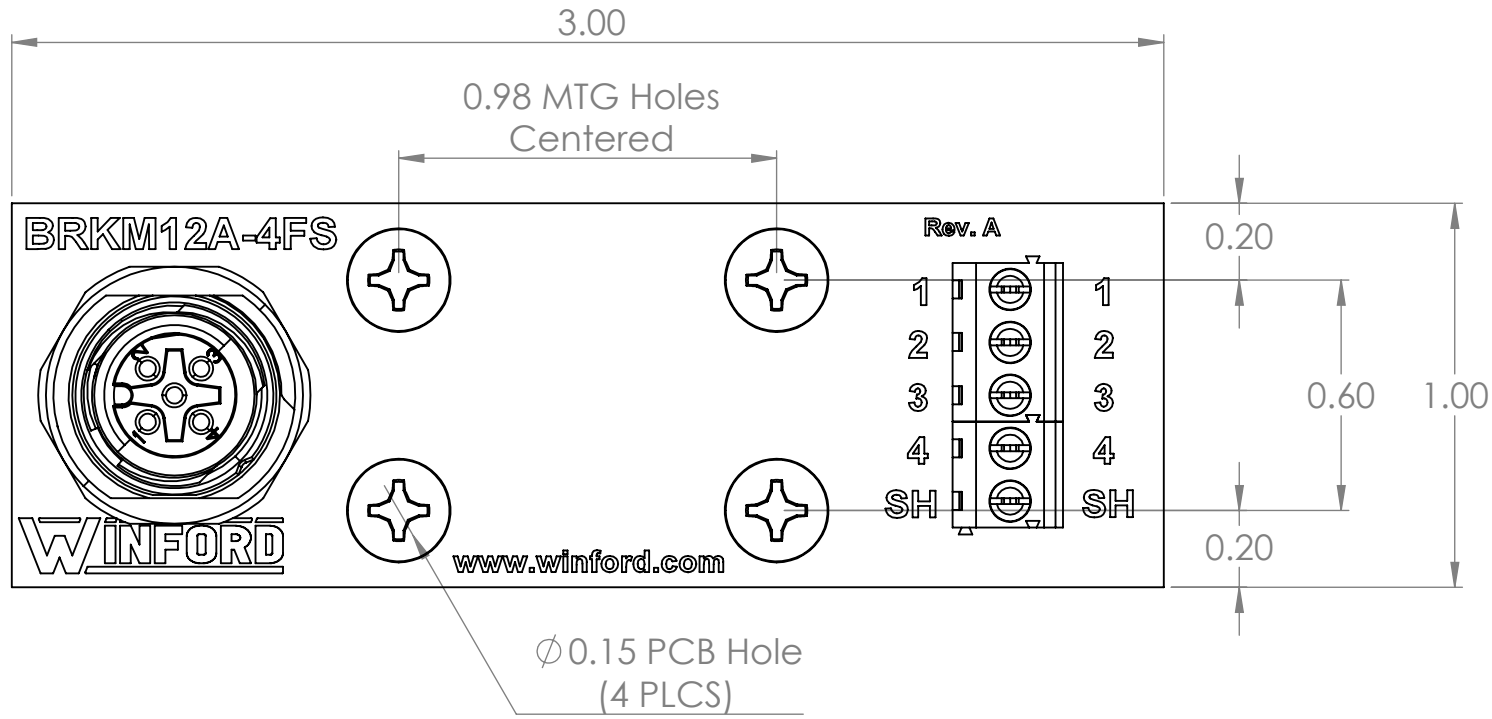
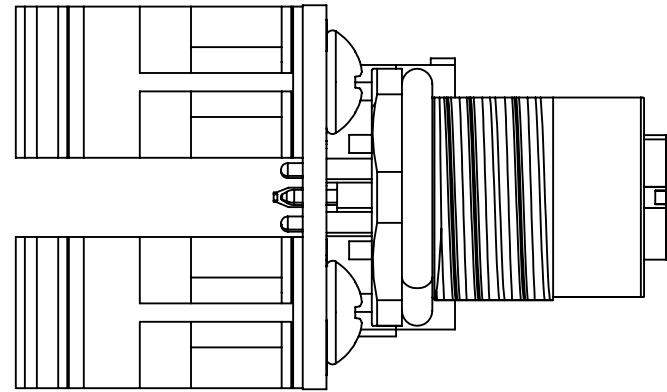


4

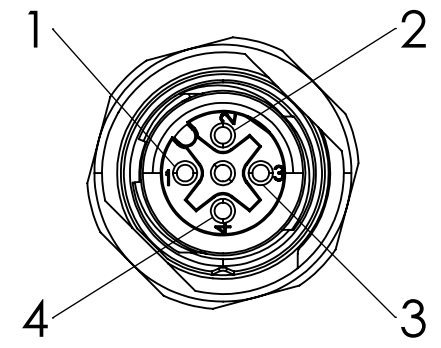
3


2

1



Connector Pinout
(Female)



DIM: INCH	DATE: 01/24/2022	RoHS COMPLIANT: Yes	DESCRIPTION:
 WINFORD ENGINEERING, LLC 4561 GARFIELD ROAD AUBURN, MI 48611			M12 4 Pin Female Breakout Board
www.winford.com		989-671-9721	PART NUMBER (S) BRKM12A-4FS-DIN
			PART REVISION A

4

3

2

1

B

B

A

A