

4

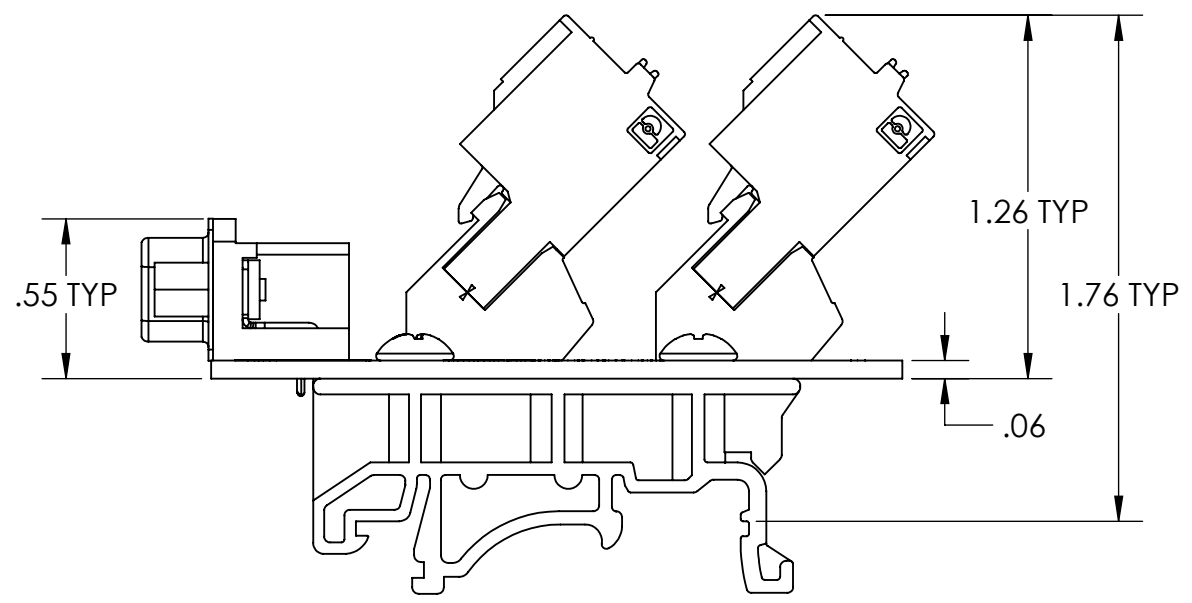
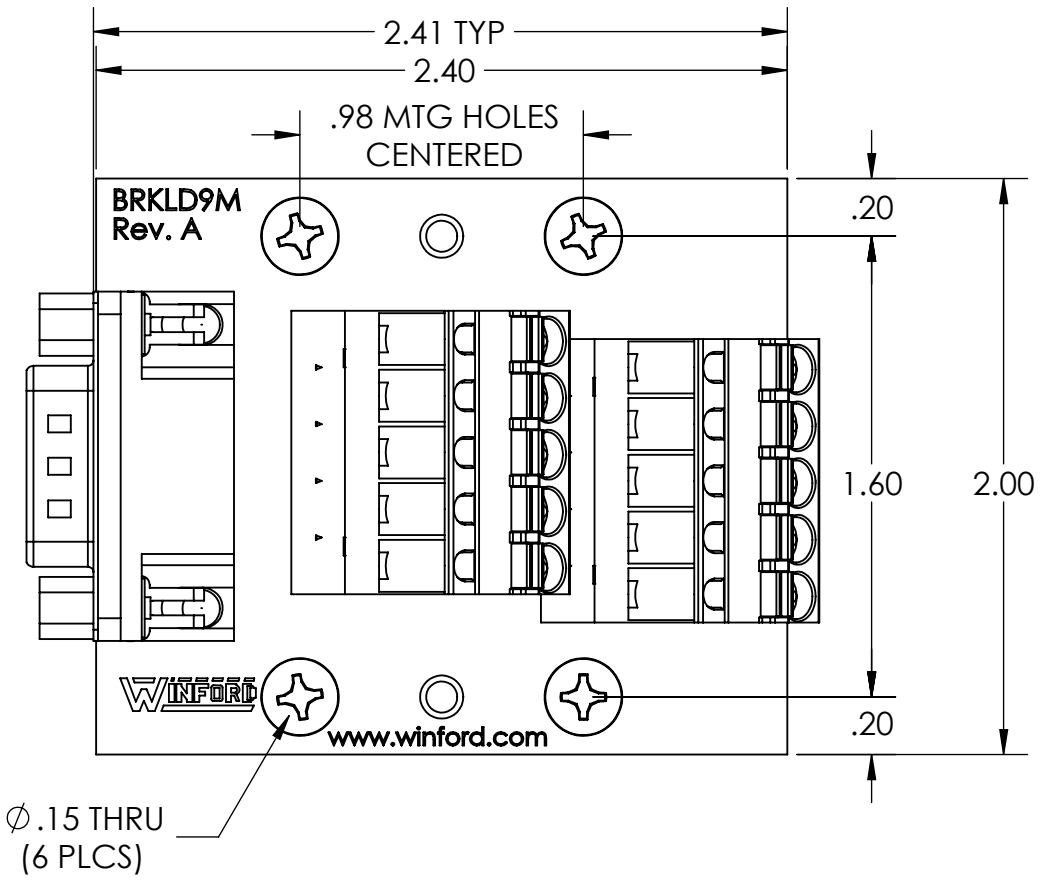
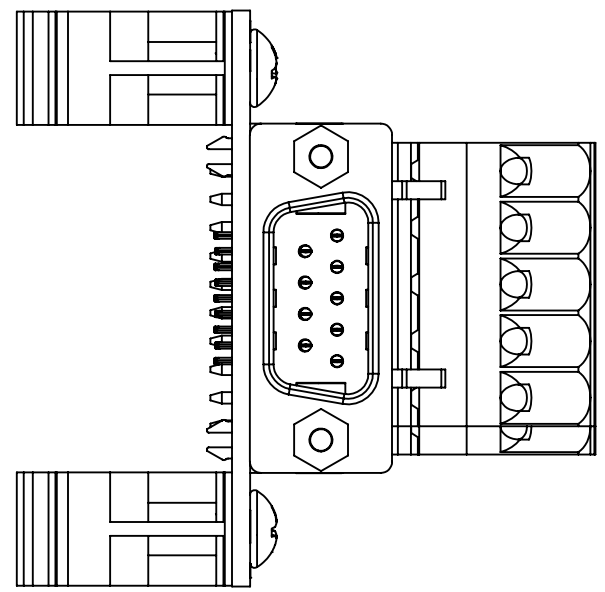
3

2

1

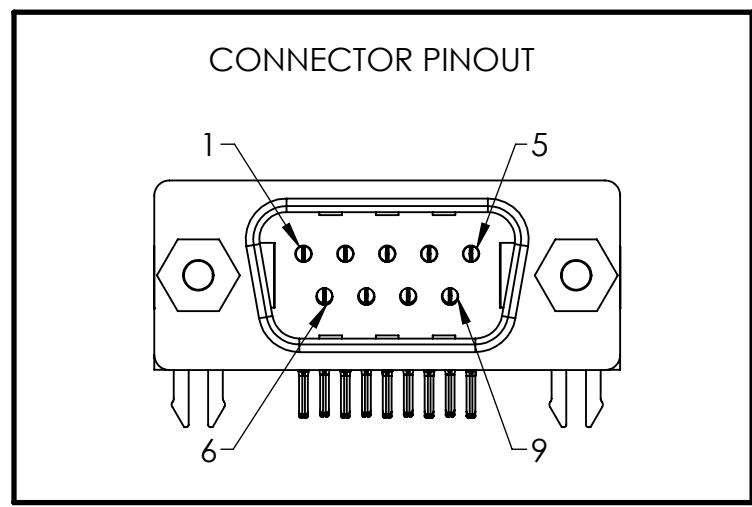
B


B



A

A



DIM: INCH	DATE: 11/29/2020	RoHS COMPLIANT: YES	DESCRIPTION:
 WINFORD ENGINEERING, LLC 4561 GARFIELD ROAD AUBURN, MI 48611			DB9 Male Breakout
www.winford.com		989-671-9721	PART NUMBER (S)
			BRKLD9M-RG-DIN
			PART REVISION
			A

4

3

2

1