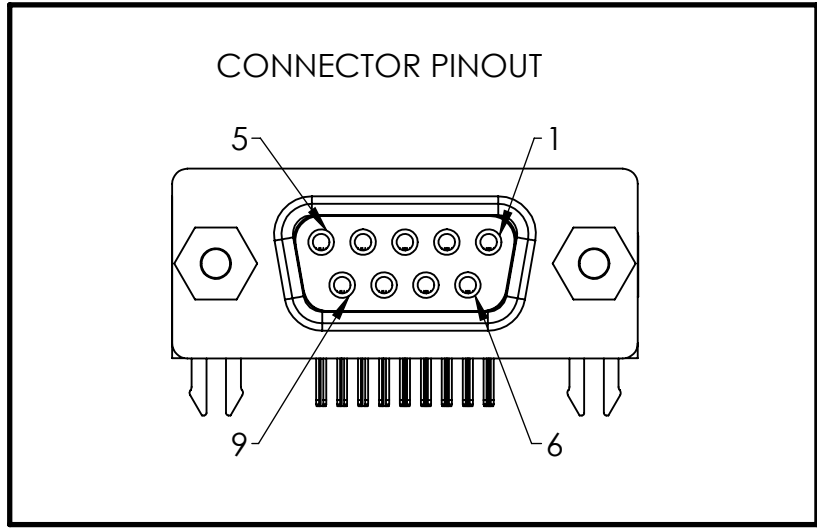
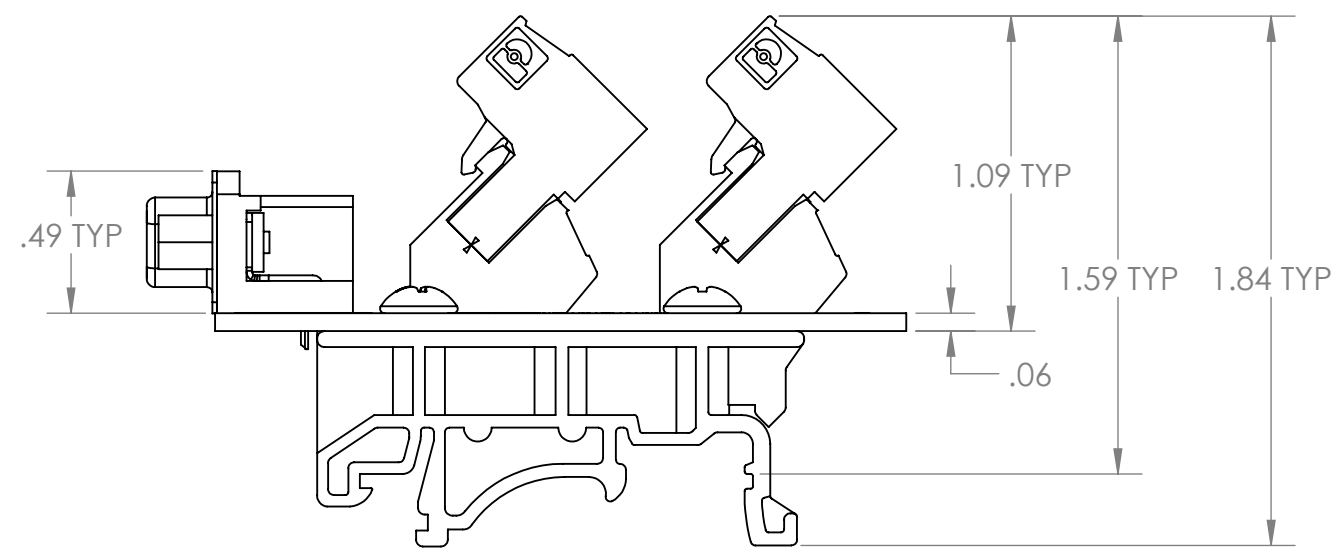
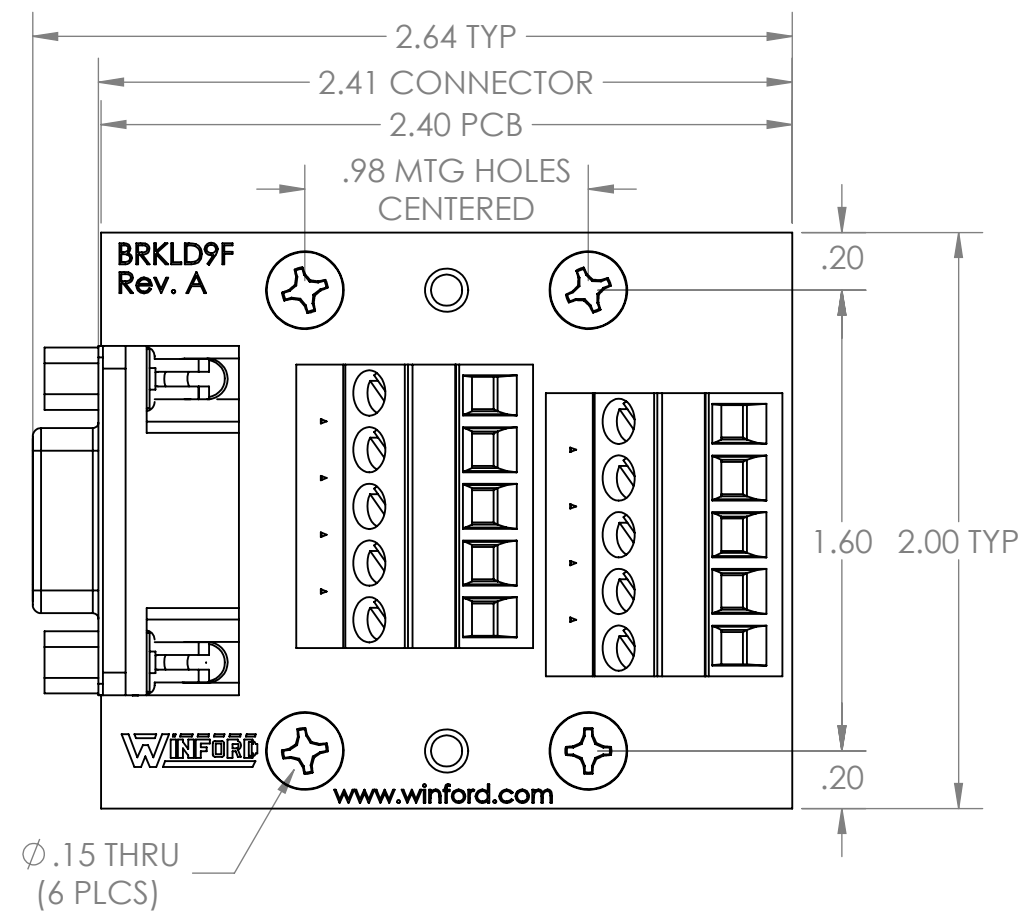
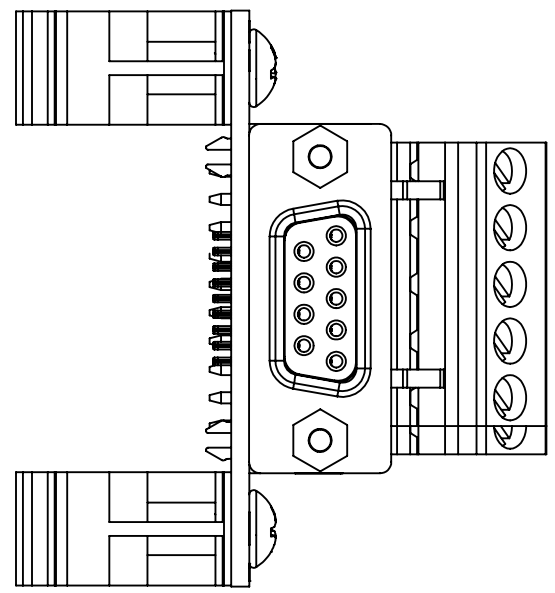



4

3

2

1



DIM: INCH	DATE: 11/29/2020	RoHS COMPLIANT: YES	DESCRIPTION:
 WINFORD ENGINEERING, LLC 4561 GARFIELD ROAD AUBURN, MI 48611			<b>DB9 Female Breakout</b>
www.winford.com		989-671-9721	PART NUMBER (S) <b>BRKLD9F-RW-DIN</b>
			PART REVISION <b>A</b>

4

3

2

1

B

B

A

A