

4

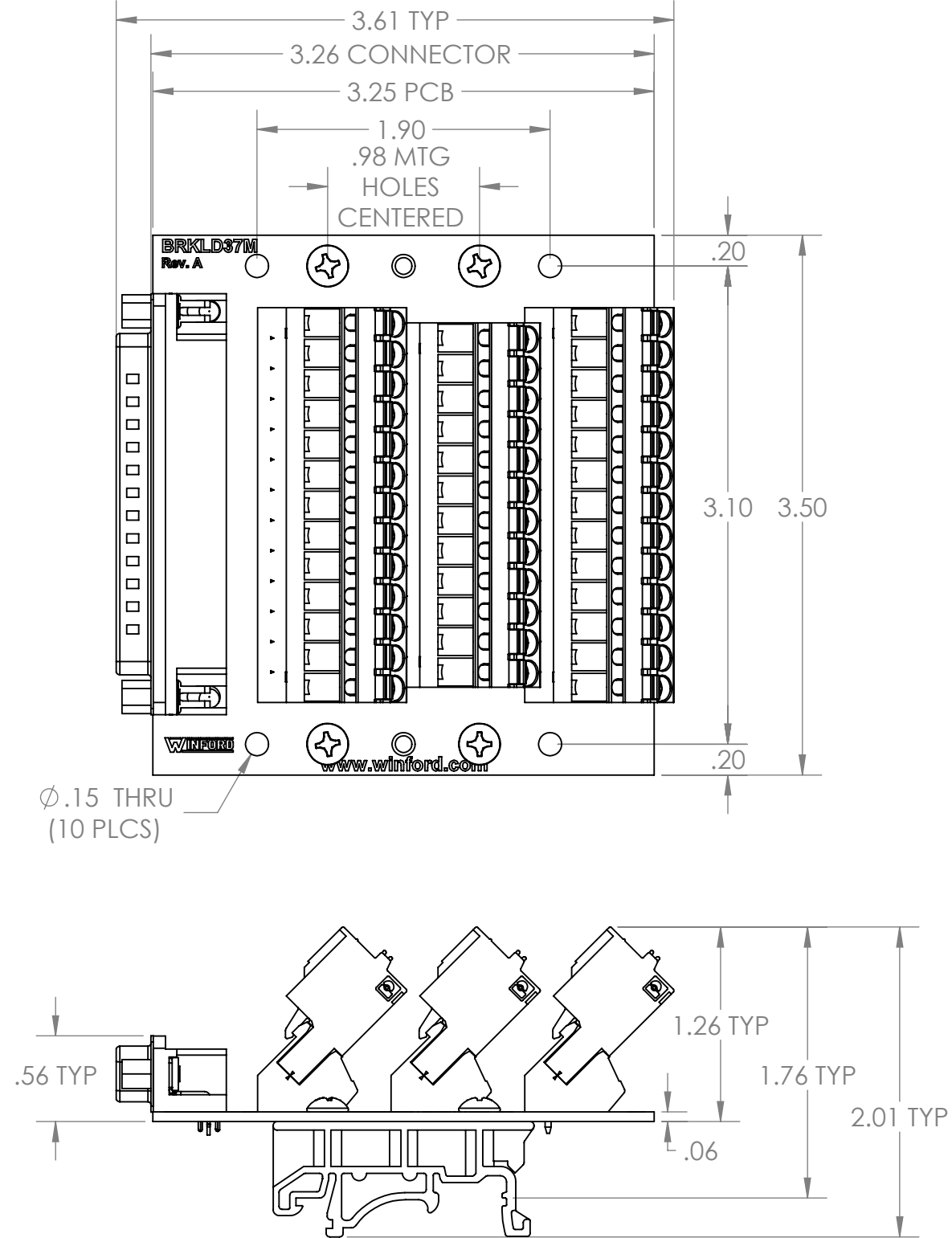
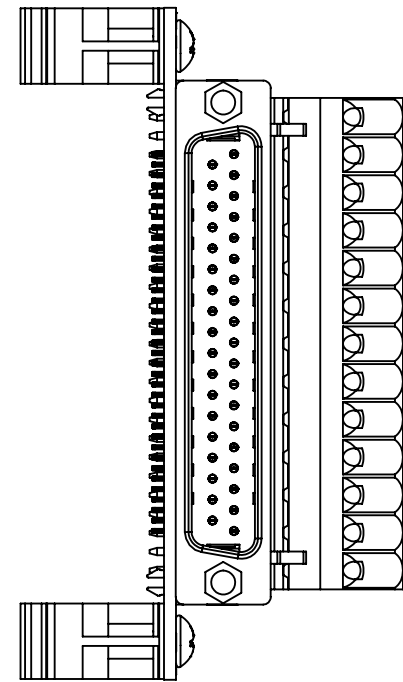
3

2

1

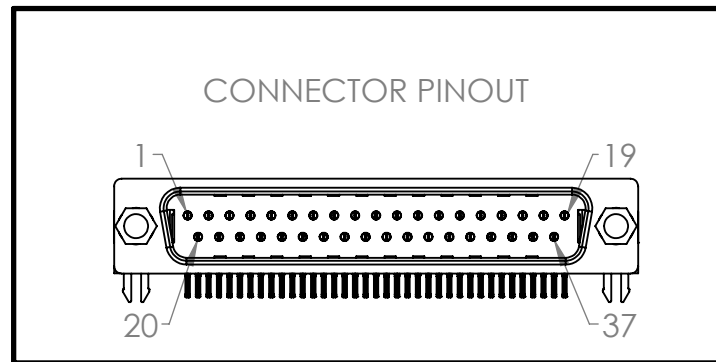
B

B



A

A



DIM: INCH	DATE: 3/14/21	RoHS COMPLIANT: YES	DESCRIPTION:
			DB37 Male Breakout Board
WINFORD ENGINEERING, LLC 4561 GARFIELD ROAD AUBURN, MI 48611		www.winford.com	PART NUMBER (S) BRKLD37M-RG-DIN
989-671-9721			PART REVISION A

4

3

2

1