

4

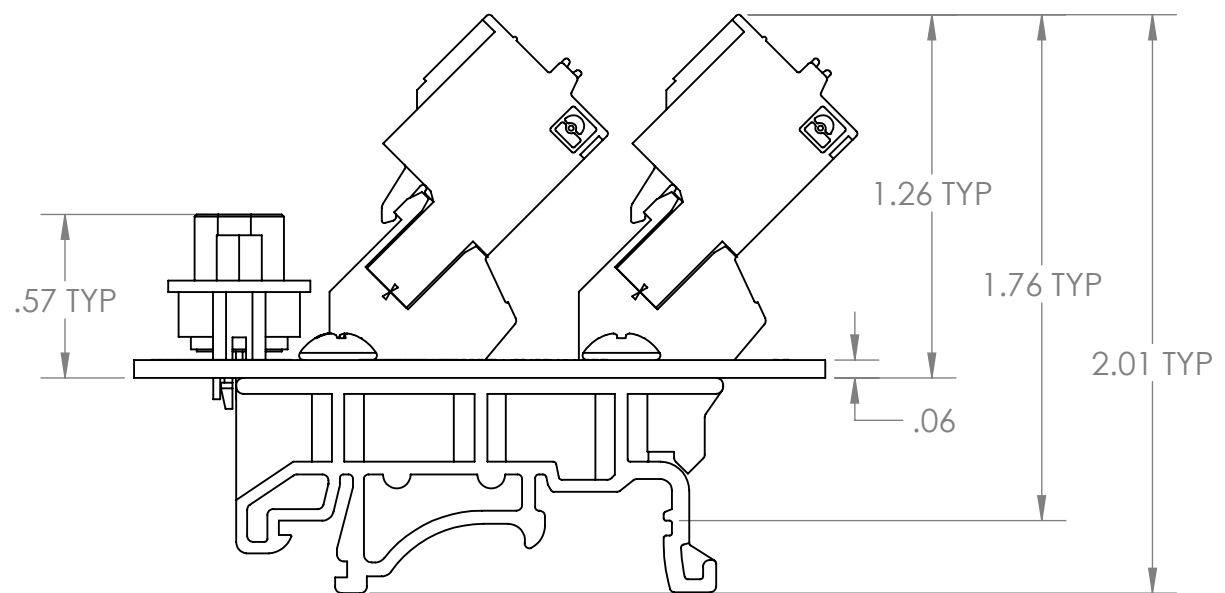
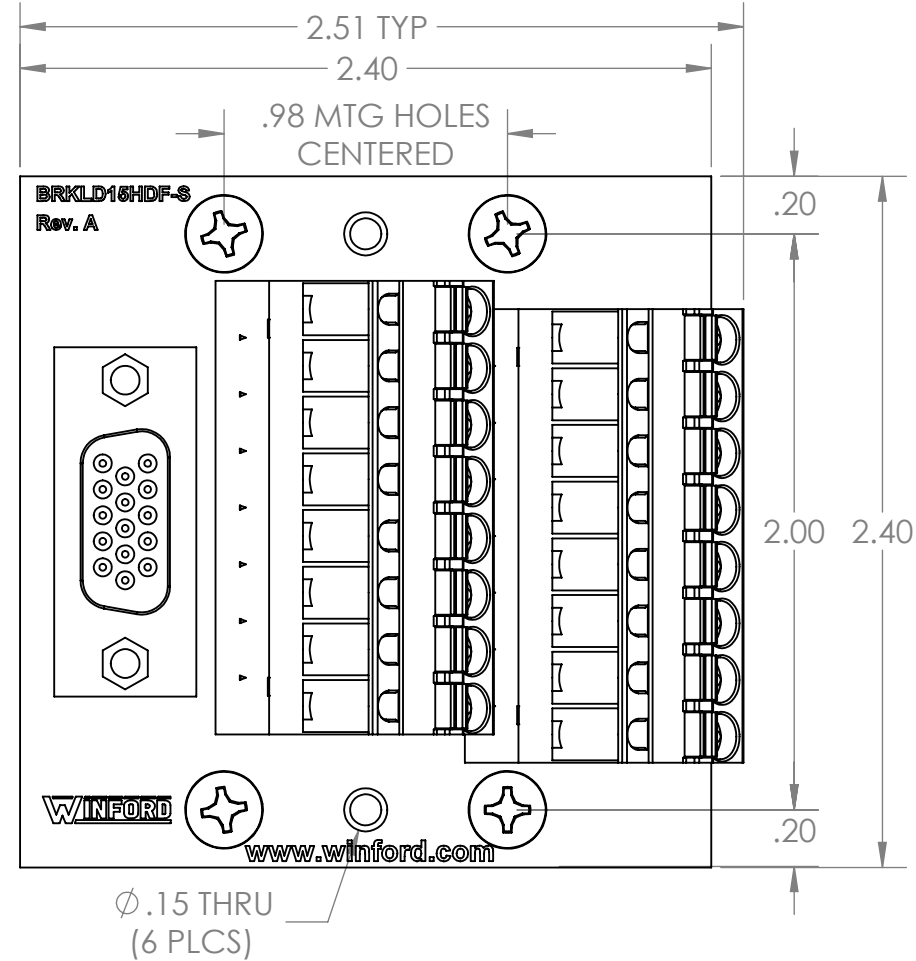
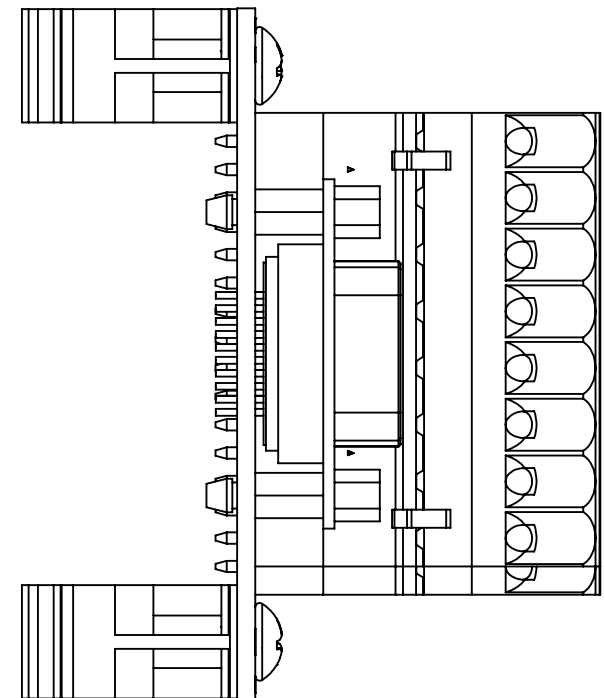
3

2

1

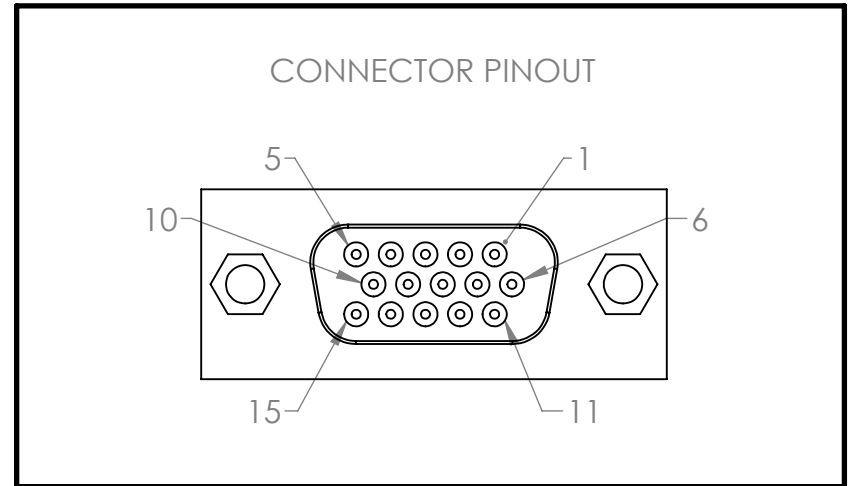
B


B



A

A



DIM: INCH	DATE: 01/31/21	RoHS COMPLIANT: YES	DESCRIPTION:
 WINFORD ENGINEERING, LLC 4561 GARFIELD ROAD AUBURN, MI 48611			<b>DB15HD Female Breakout</b>
www.winford.com		989-671-9721	PART NUMBER (S) <b>BRKLD15HDF-SG-DIN</b>
			PART REVISION <b>A</b>

4

3

2

1