

4

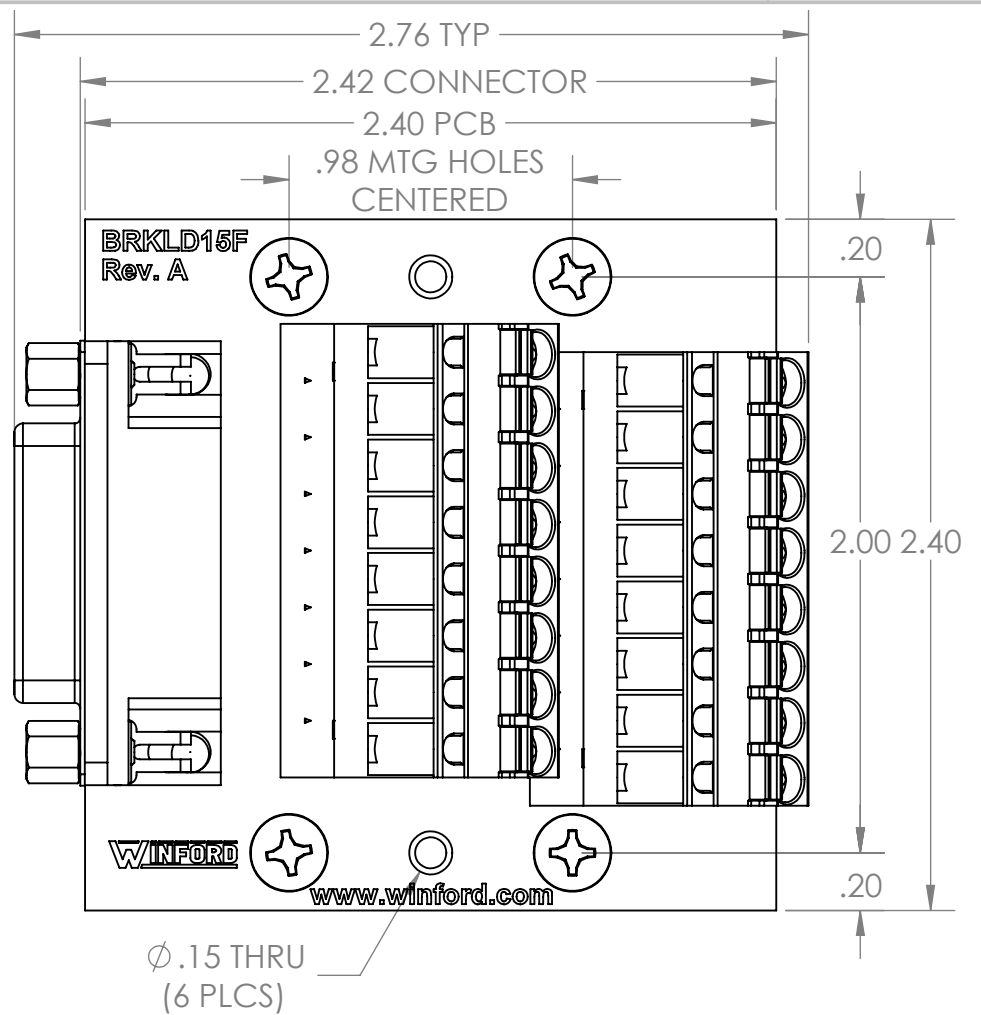
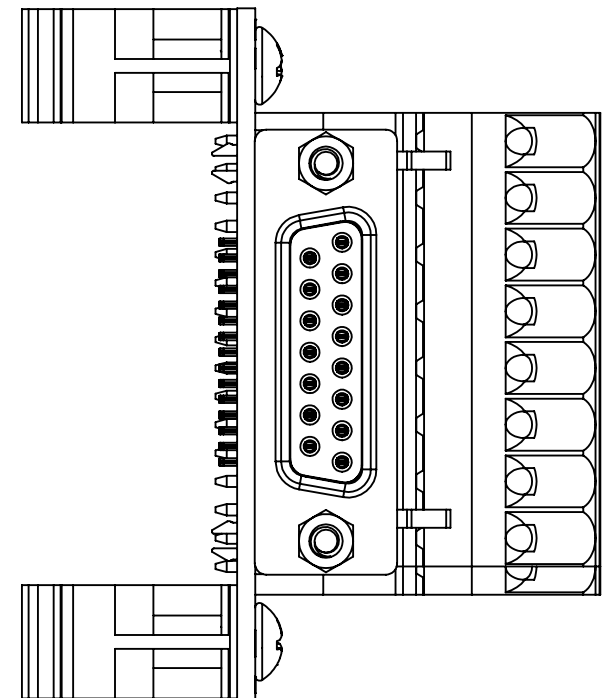
3

2

1

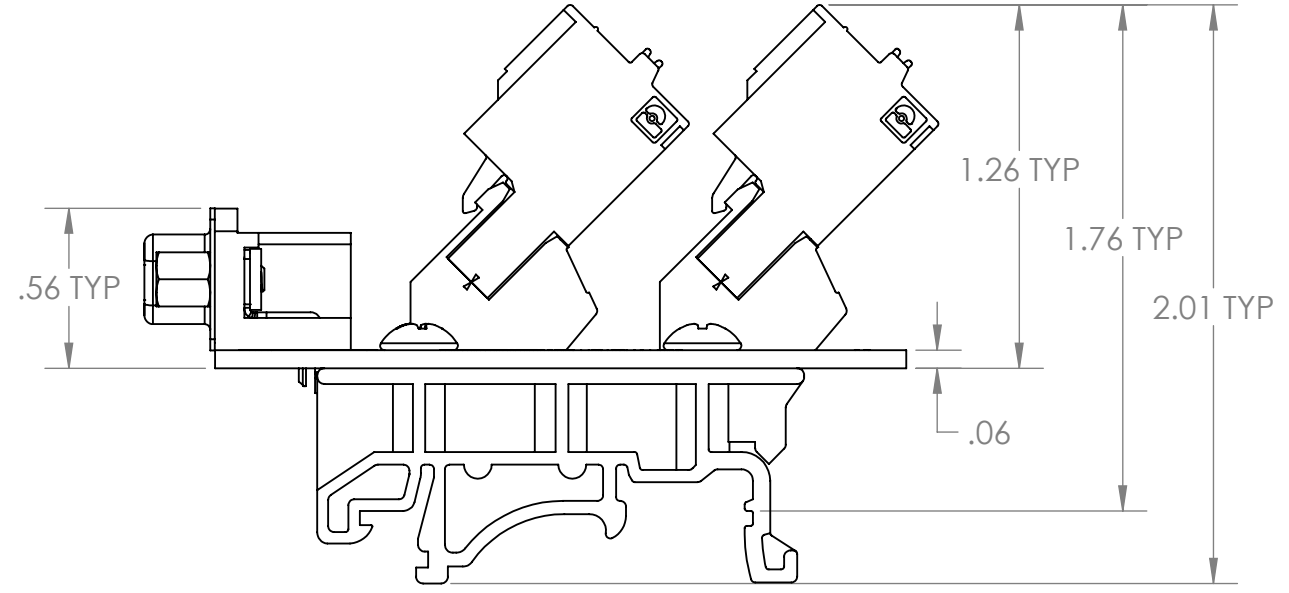
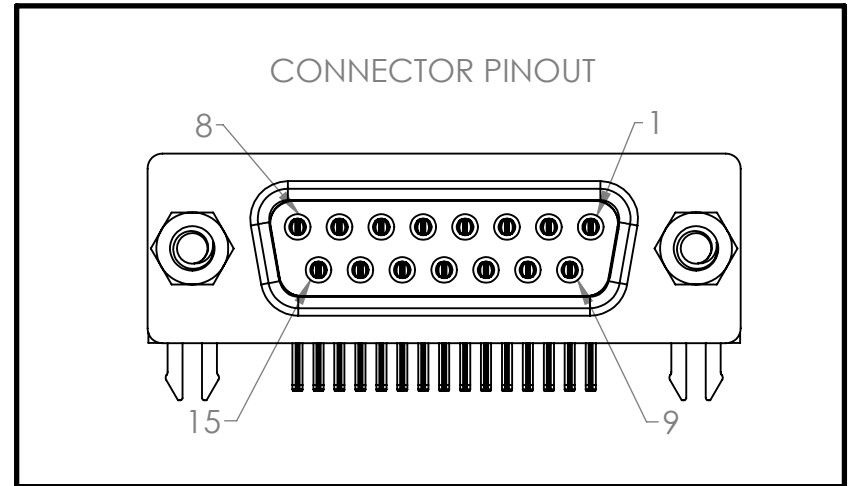
B

B



A

A




4

3

2

1

DIM: INCH	DATE: 01/31/21	RoHS COMPLIANT: YES	DESCRIPTION:
 WINFORD ENGINEERING, LLC 4561 GARFIELD ROAD AUBURN, MI 48611			DB15 Female Breakout
www.winford.com		989-671-9721	PART NUMBER (S) BRKLD15F-RG-DIN
			PART REVISION A