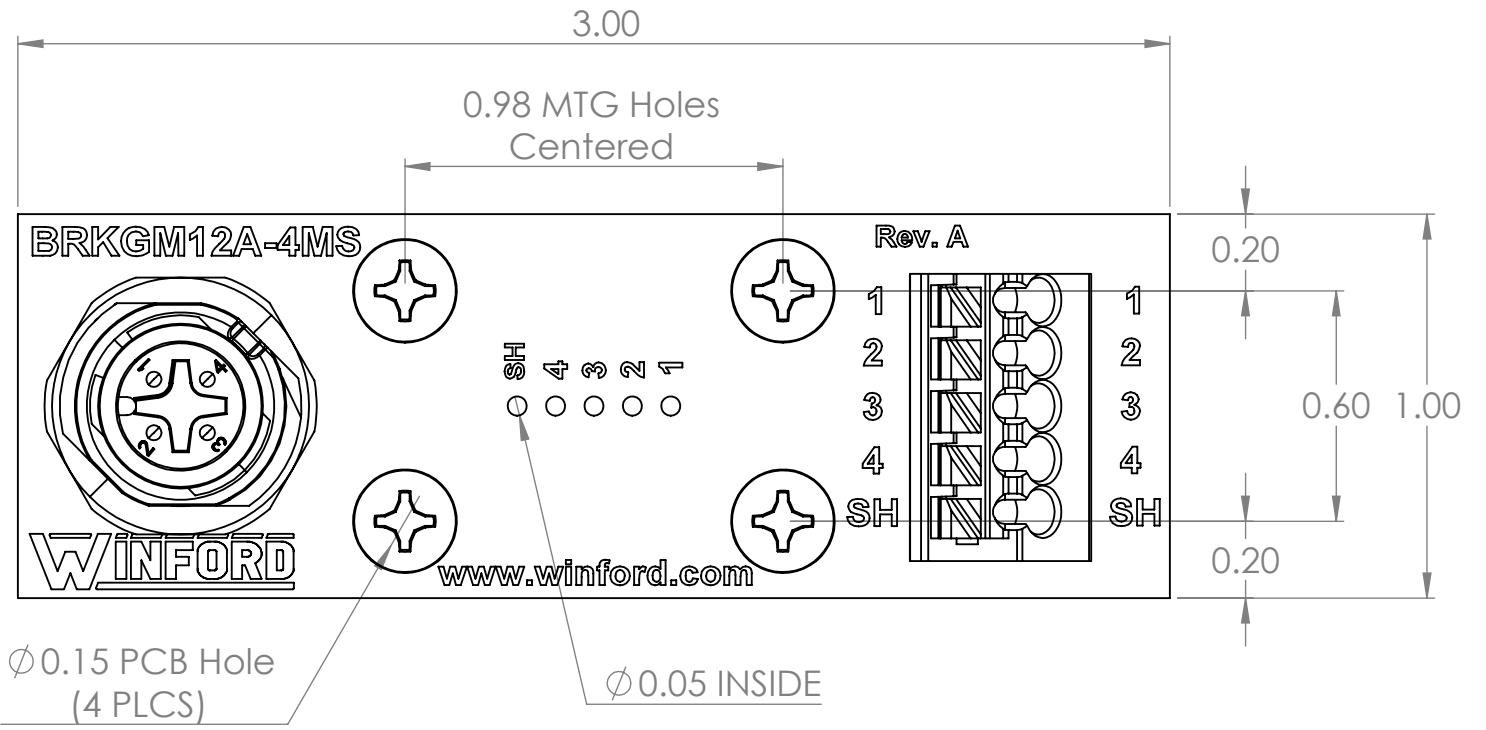
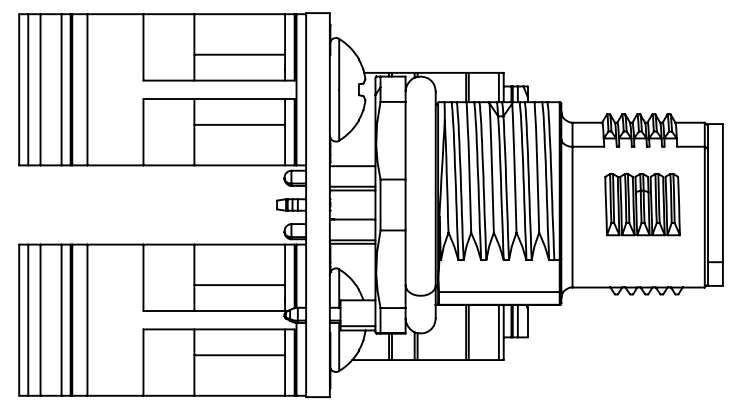


4

3

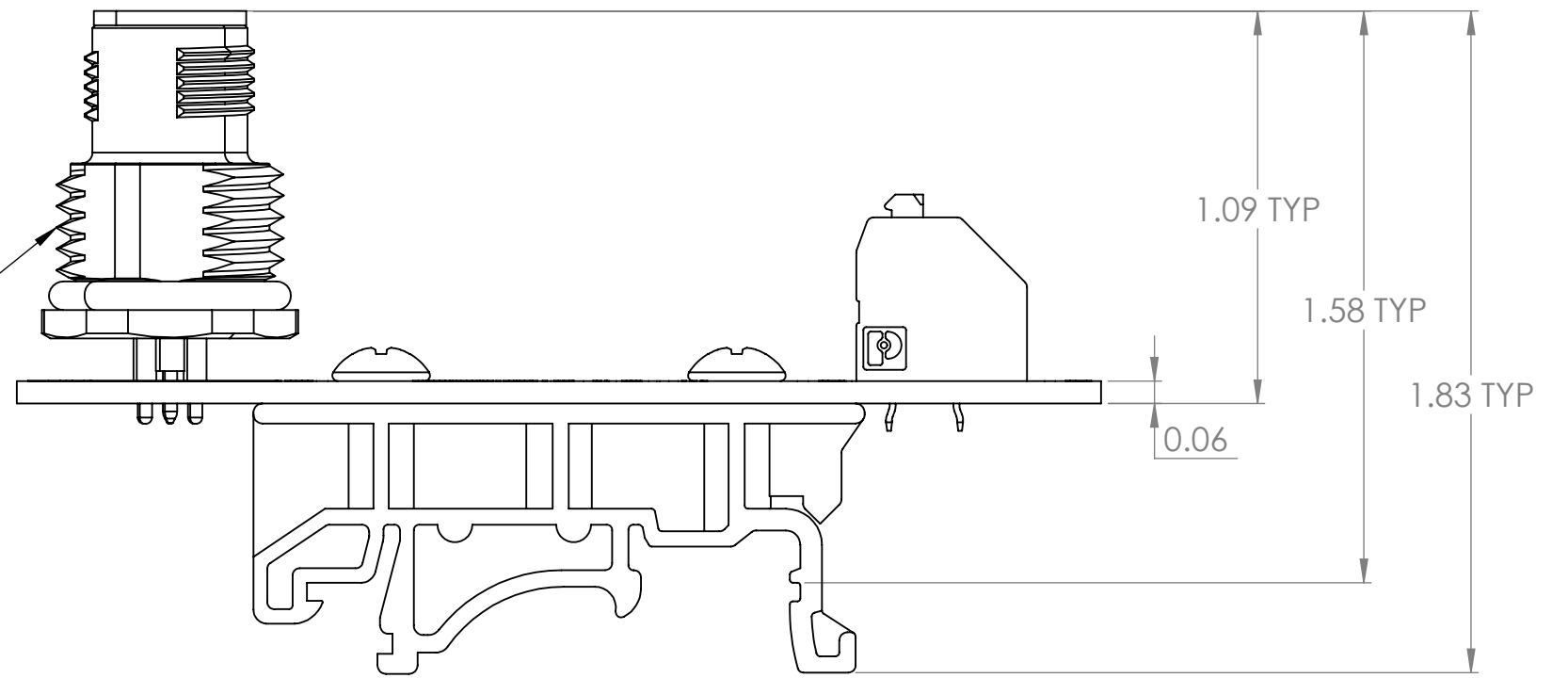
2

1

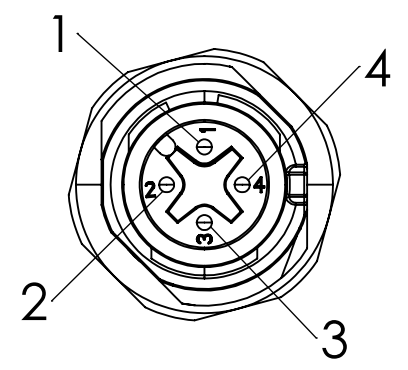


B

B



Connector Pinout (Male)



A

A

DIM: INCH	DATE: 1/31/2022	RoHS COMPLIANT: Yes	DESCRIPTION: M12 4 Pin Male Breakout with Spring Terminals
		WINFORD ENGINEERING, LLC 4561 GARFIELD ROAD AUBURN, MI 48611	PART NUMBER (S) BRKGM12A-4MS-DIN
www.winford.com		989-671-9721	PART REVISION A

4

3

2

1