

4

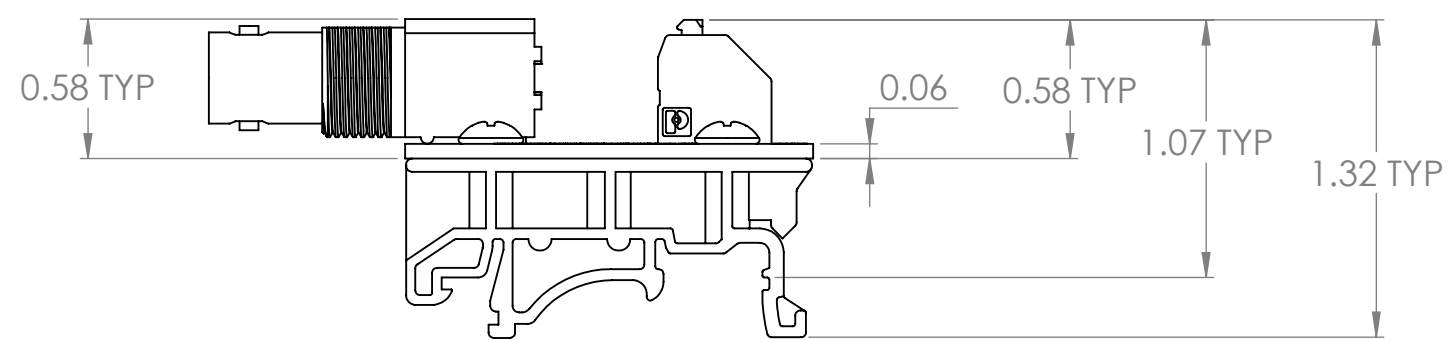
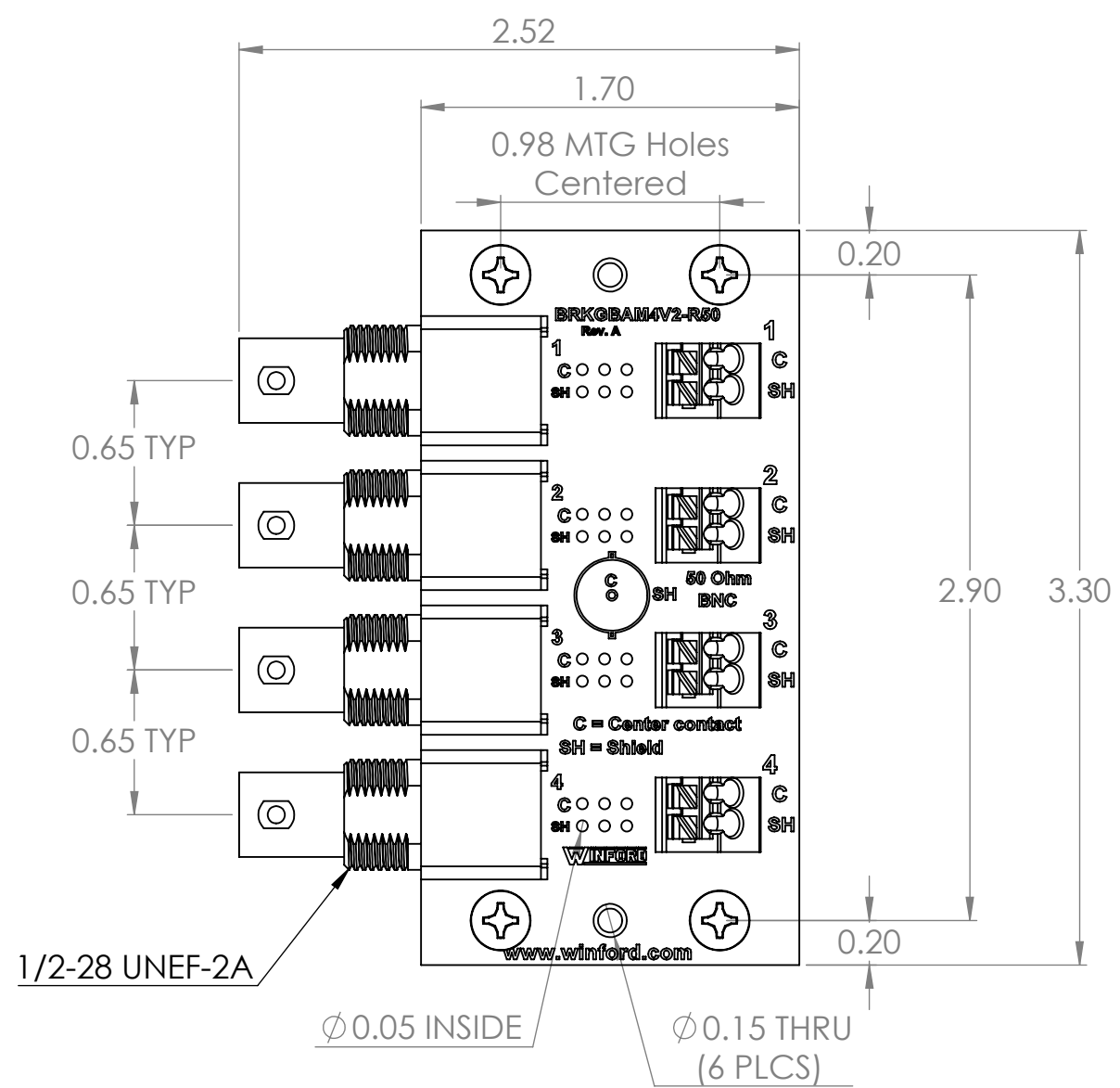
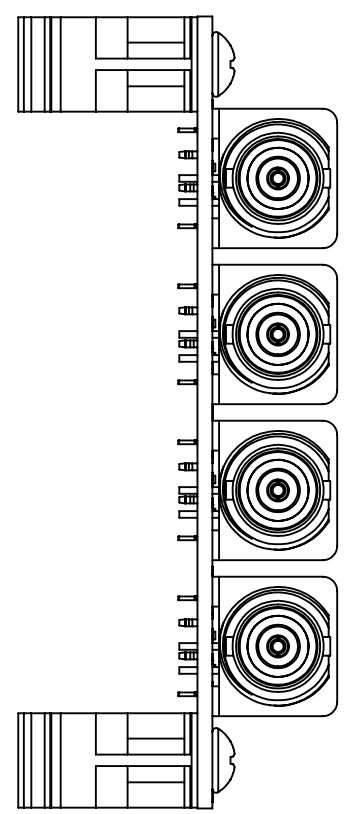
3

2

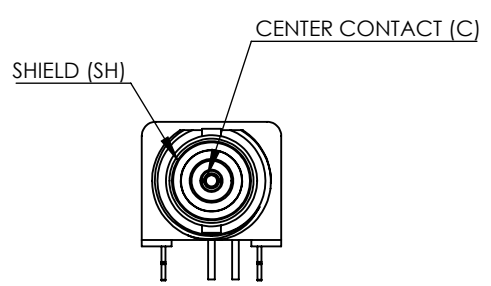
1


B

B



Connector Pinout



DIM: INCH	DATE: 04/25/2022	RoHS COMPLIANT: Yes	DESCRIPTION:
 WINFORD ENGINEERING, LLC 4561 GARFIELD ROAD AUBURN, MI 48611			BNC Female Jack Breakout, 4-pos
www.winford.com		989-671-9721	PART NUMBER (S)
			BRKGBAM4V2-R50-DIN
			PART REVISION
			A

4

3

2

1

A

A