

4

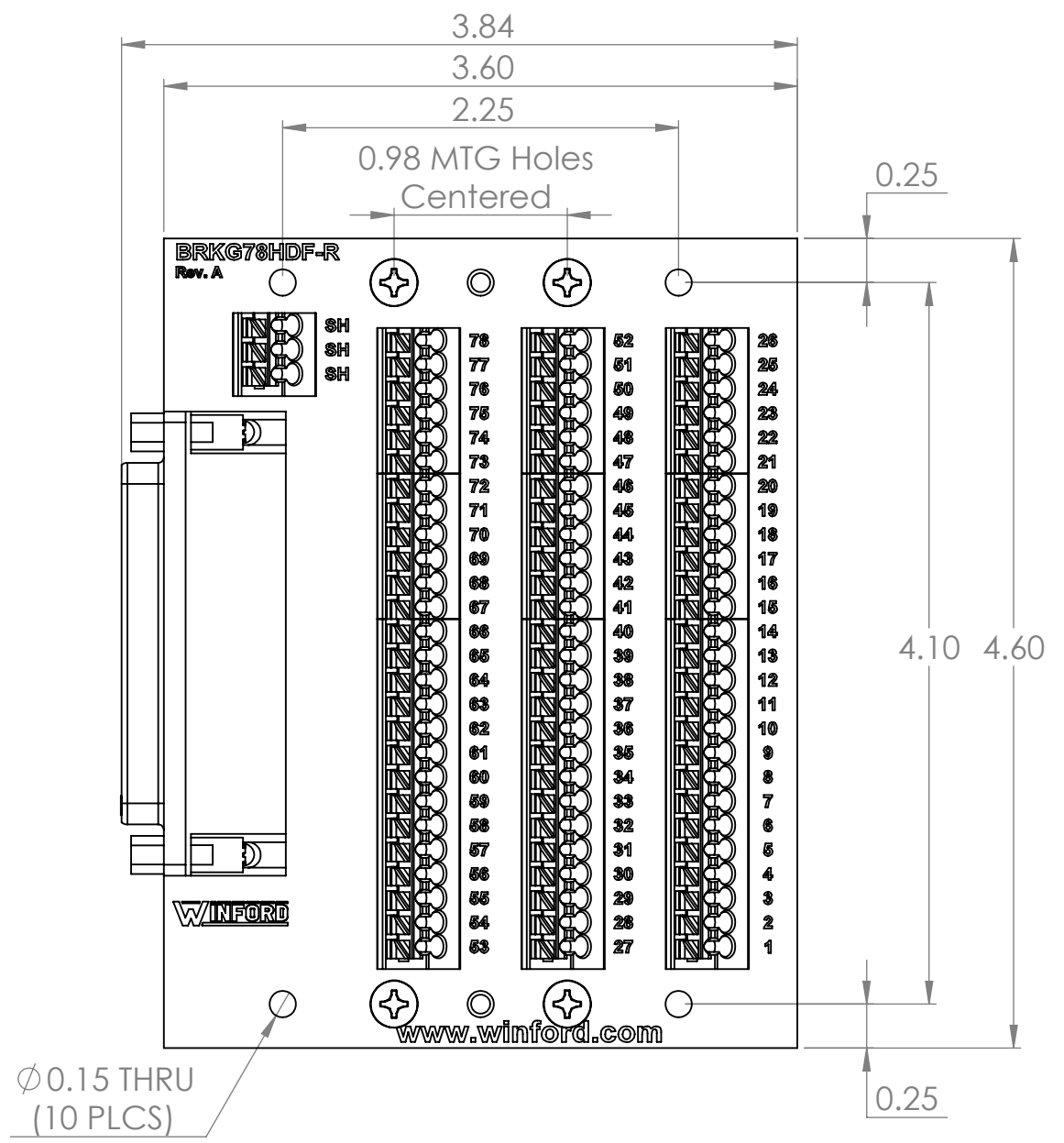
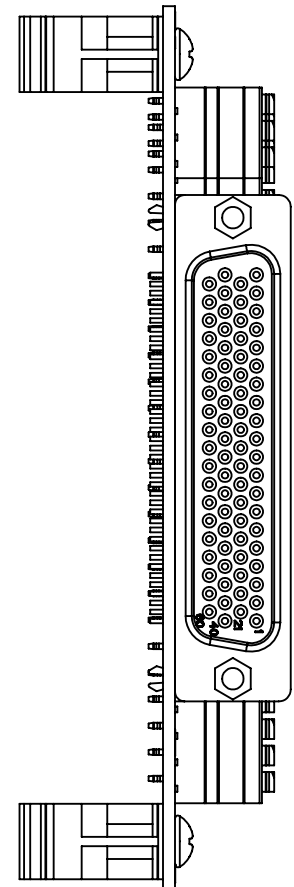
3

2

1

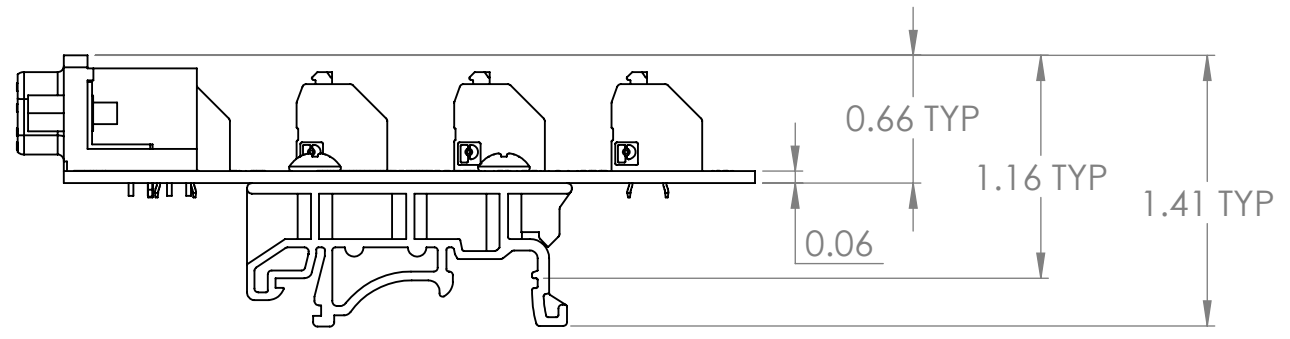
B

B

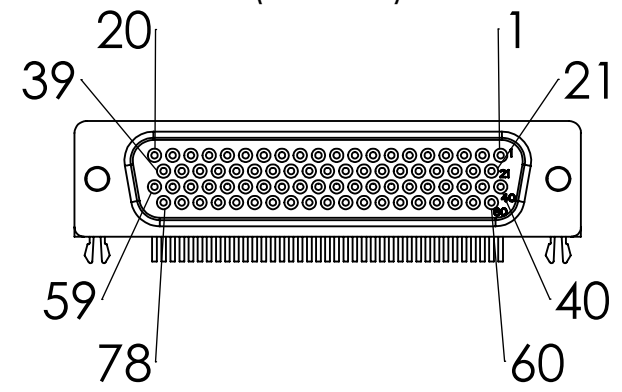



A

A



Connector Pinout (Female)



DIM: INCH	DATE: 09/05/2023	RoHS COMPLIANT: Yes	DESCRIPTION: 78 Pin D-sub Female Spring Terminal Board
 WINFORD ENGINEERING, LLC 4561 GARFIELD ROAD AUBURN, MI 48611			PART NUMBER (S) <b>BRKG78HDF-R-DIN</b>
www.winford.com		989-671-9721	PART REVISION <b>A</b>

4

3

2

1