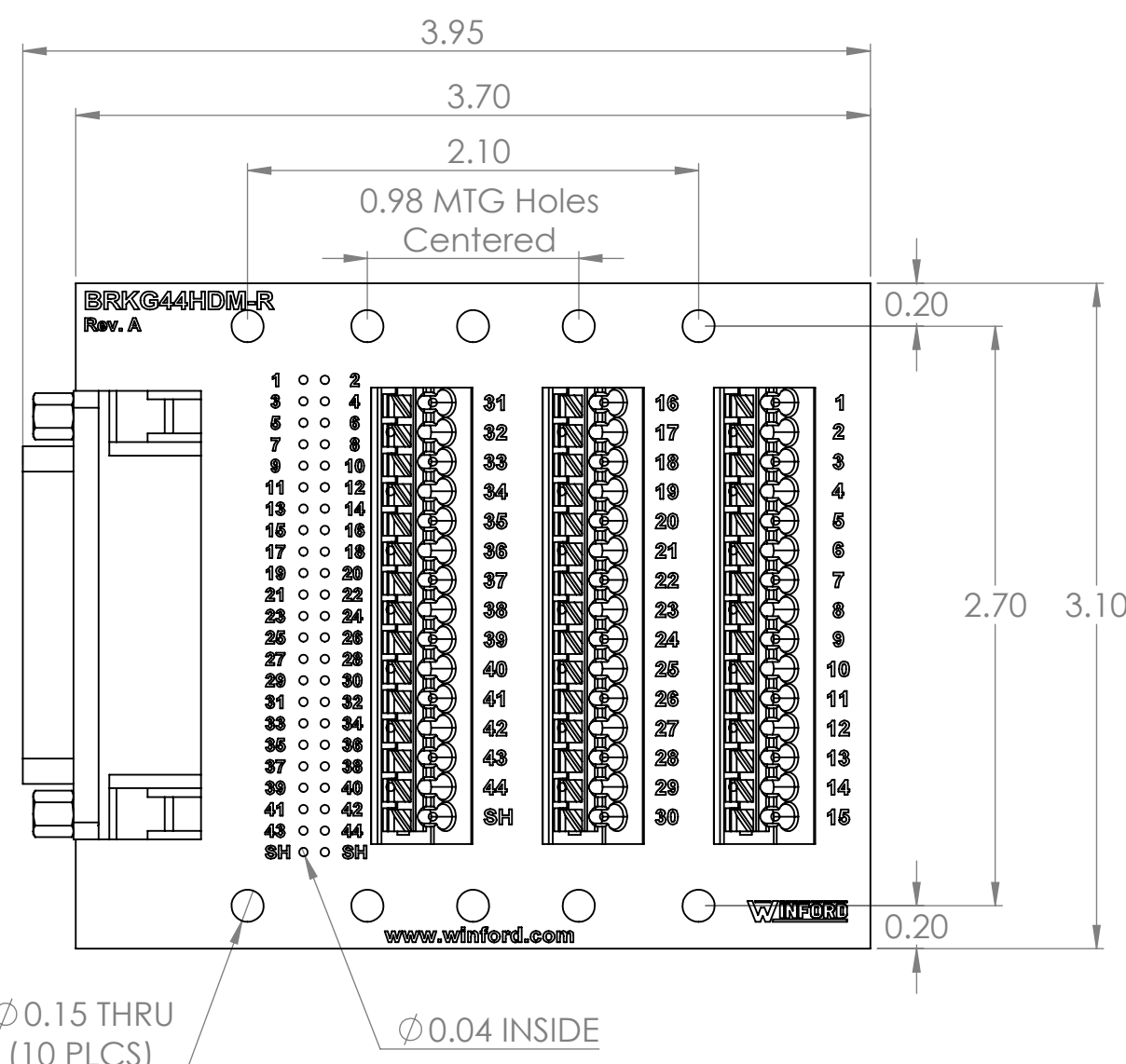
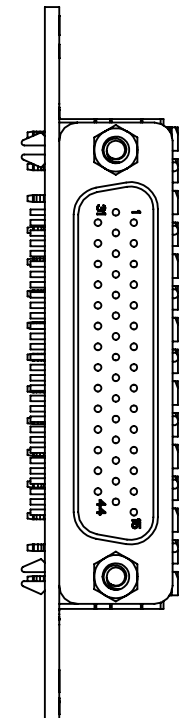


4

3

2

1

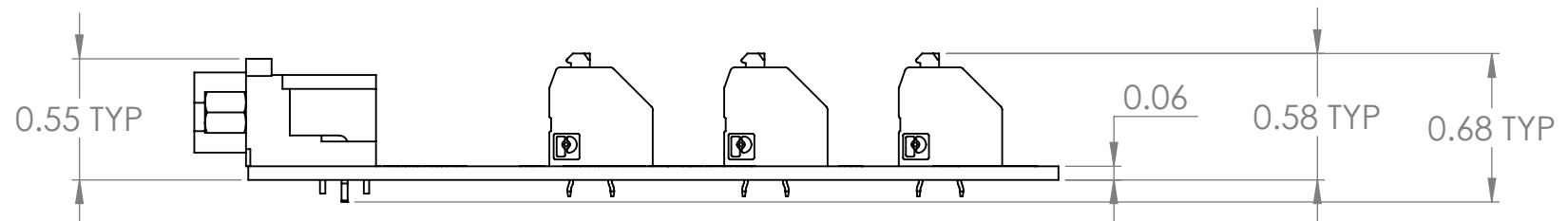


B

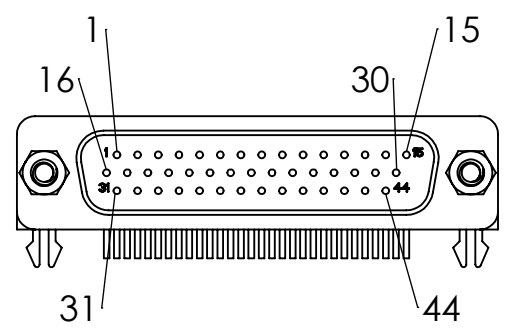
B


A

A



Connector Pinout  
(Male)



DIM: INCH	DATE: 08/23/2021	RoHS COMPLIANT: Yes	DESCRIPTION:
 WINFORD ENGINEERING, LLC 4561 GARFIELD ROAD AUBURN, MI 48611			DB44HD Male Breakout with Spring Terminals
www.winford.com		989-671-9721	PART NUMBER (S) <b>BRKG44HDM-R-N</b>
			PART REVISION <b>A</b>

4

3

2

1