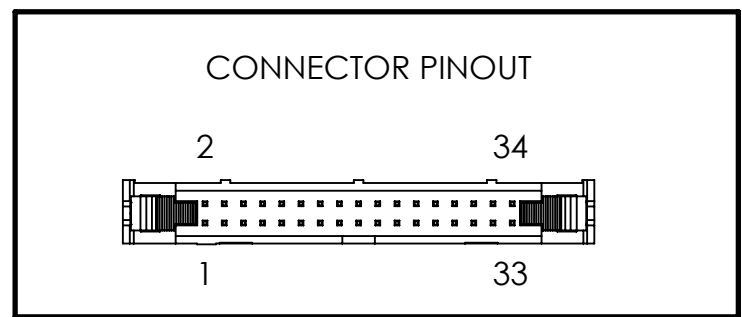
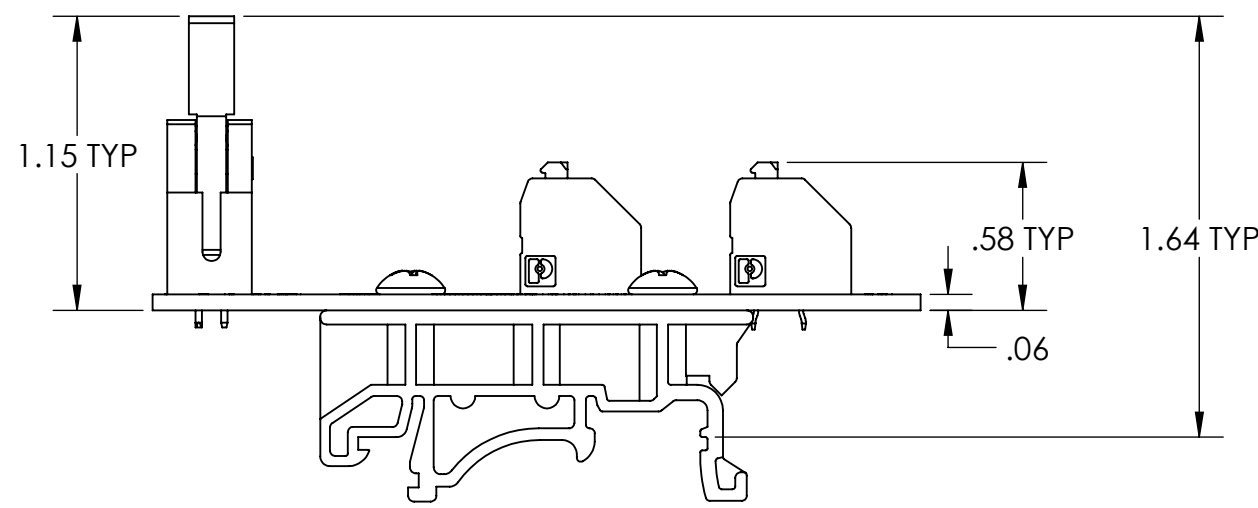
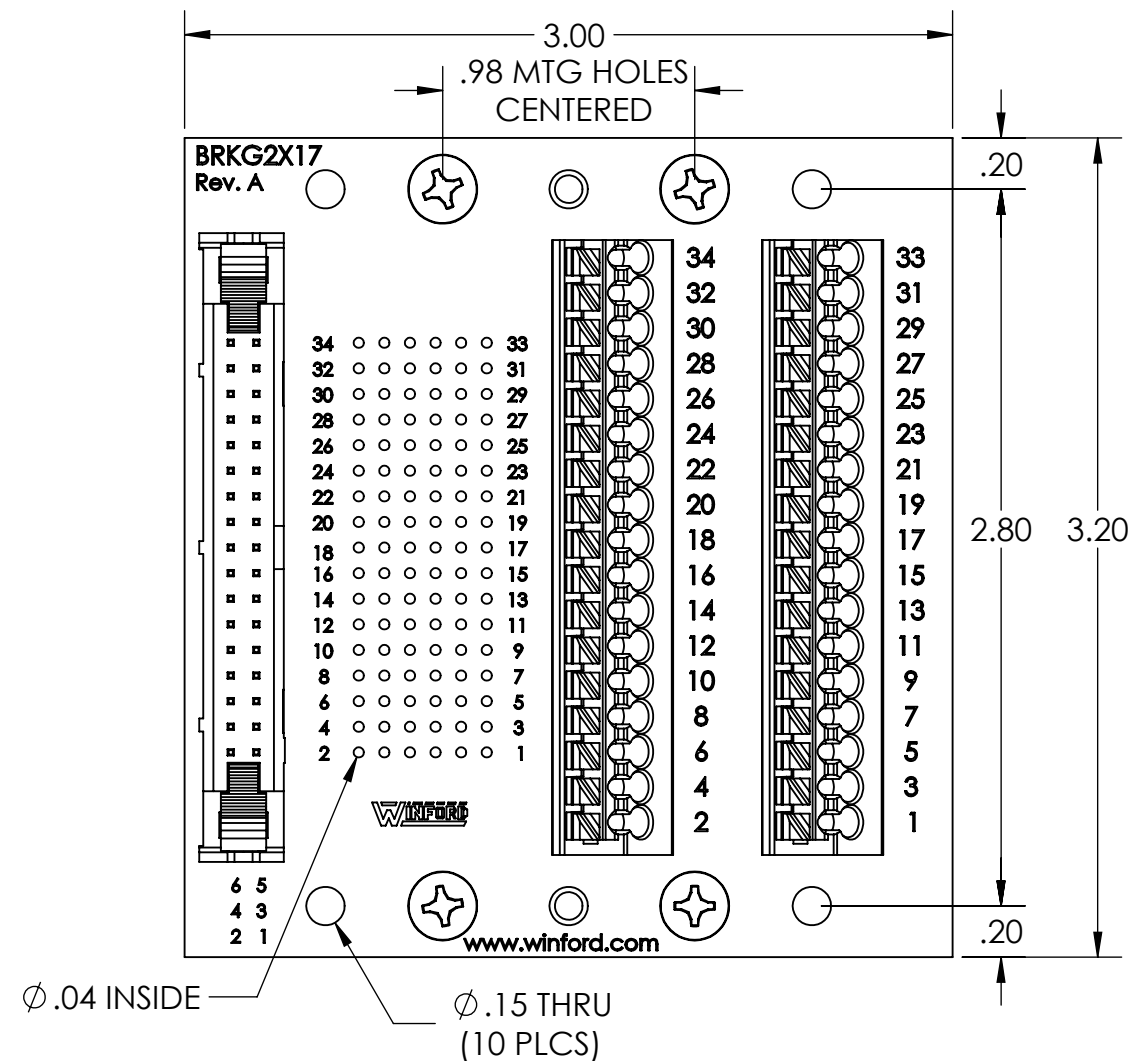
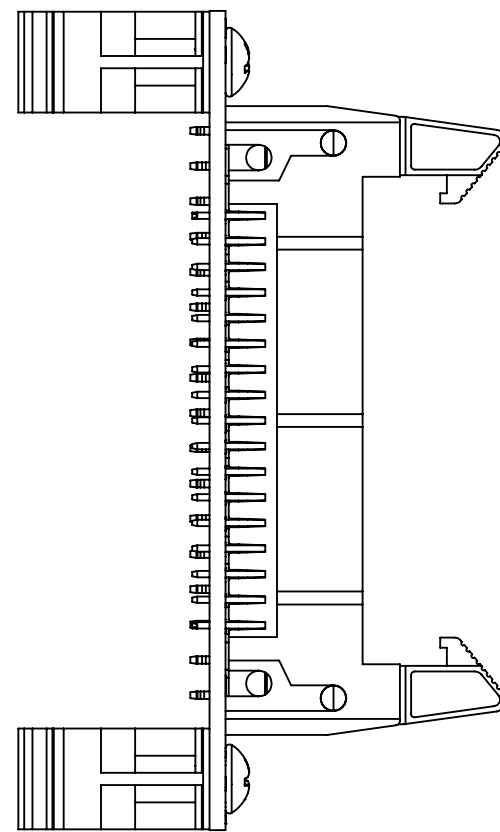


4

3

2

1



DIM: INCH	DATE: 02/08/2020	RoHS COMPLIANT: YES	DESCRIPTION: 2x17 0.1" Header Breakout
		WINFORD ENGINEERING, LLC 4561 GARFIELD ROAD AUBURN, MI 48611	PART NUMBER (S) BRKG2X17-L-DIN
www.winford.com		989-671-9721	PART REVISION A

4

3

2

1

B

B

A

A