

4

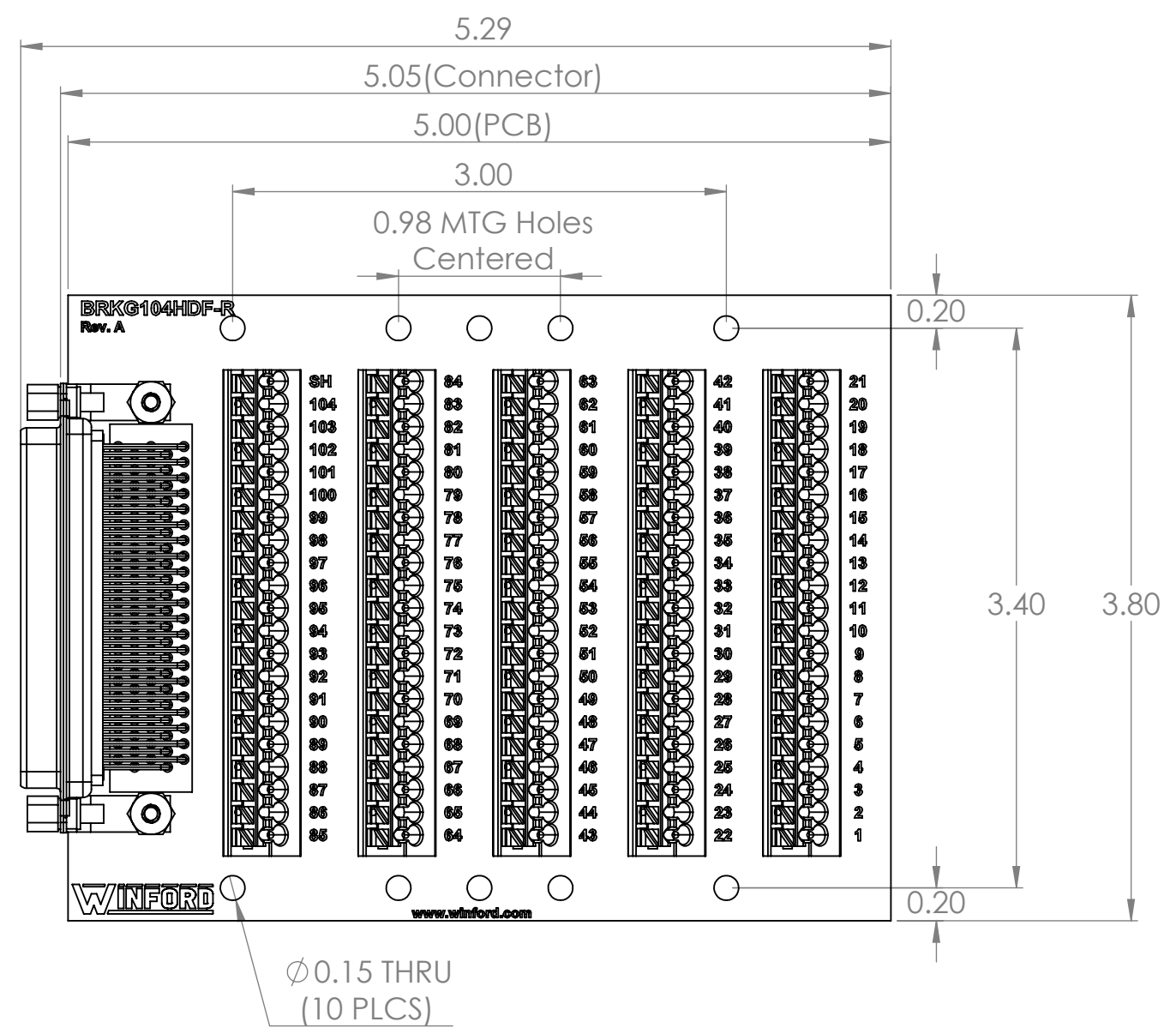
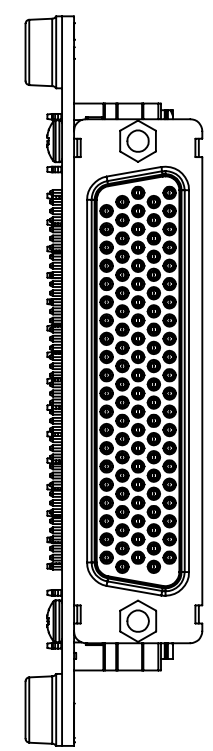
3

2

1

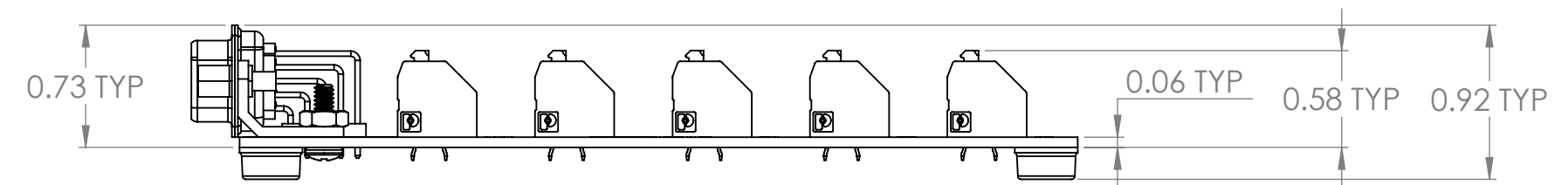
B

B

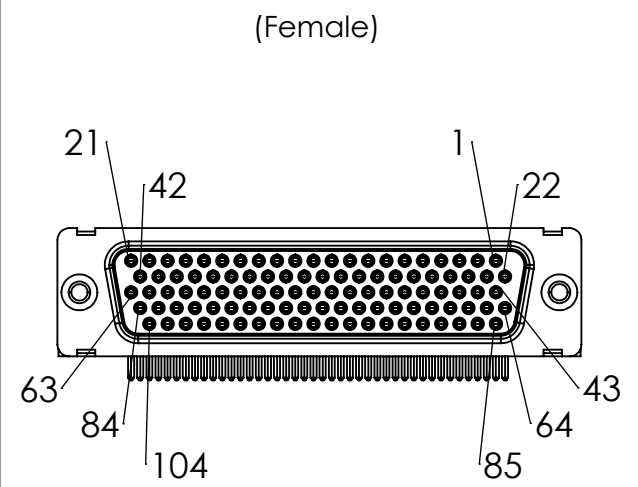


A

A



Connector Pinout (Female)




4

3

2

1

DIM: INCH	DATE: 08/16/2021	RoHS COMPLIANT: Yes	DESCRIPTION:
 WINFORD ENGINEERING, LLC 4561 GARFIELD ROAD AUBURN, MI 48611			DB104HD Female Breakout with Spring Terminals
www.winford.com		989-671-9721	PART NUMBER (S) BRKG104HDF-R-FT
			PART REVISION A