

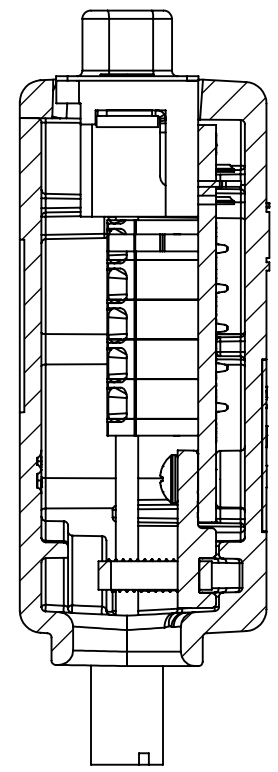
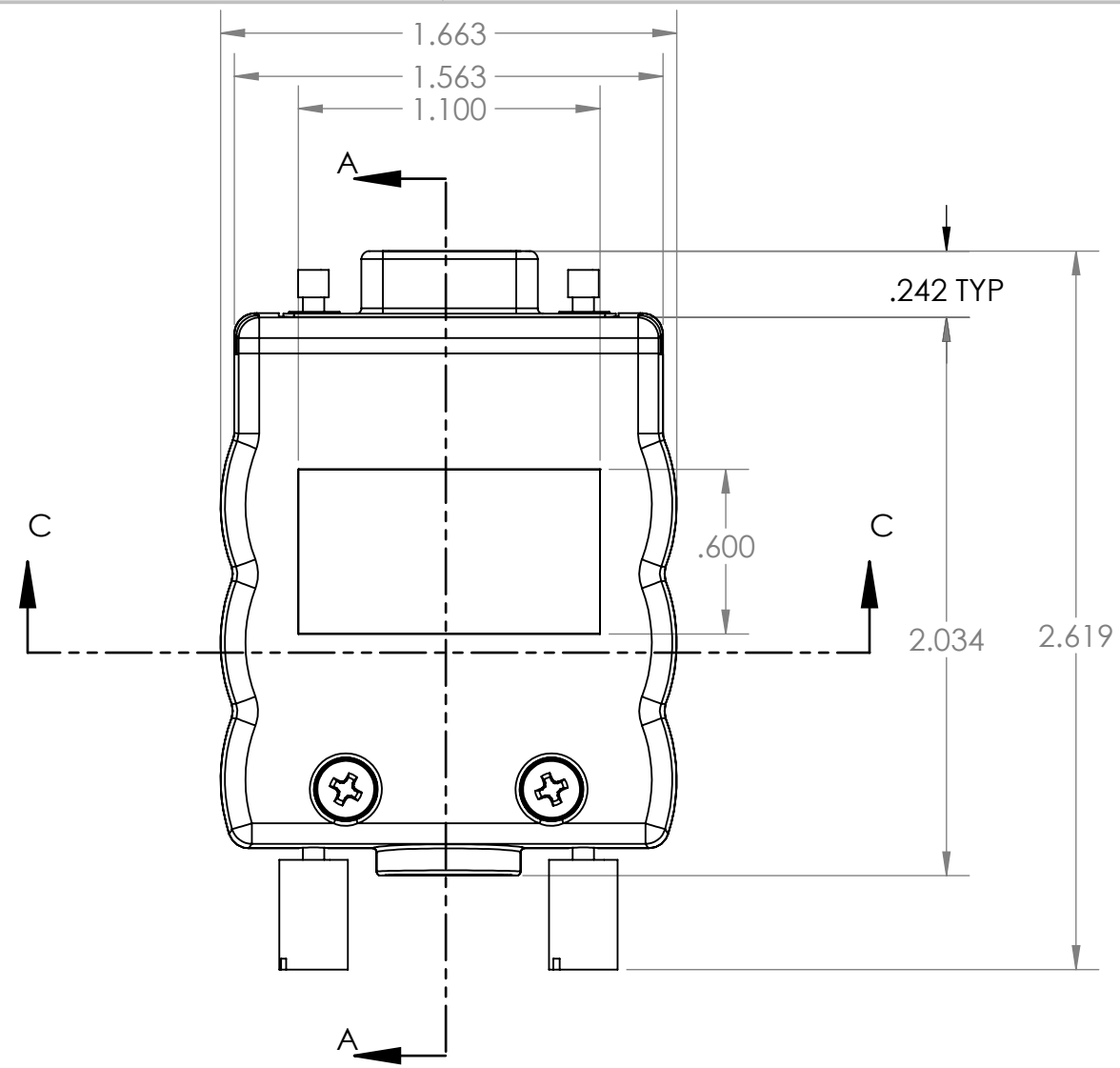
4 3 2 1

B

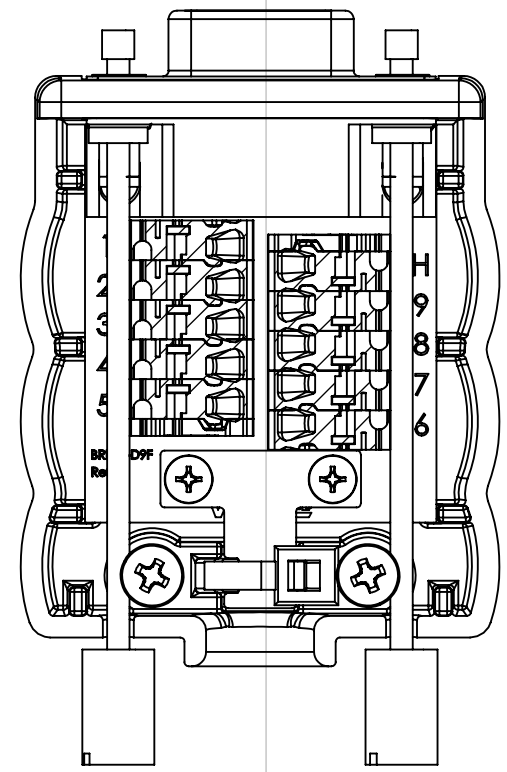
B

A

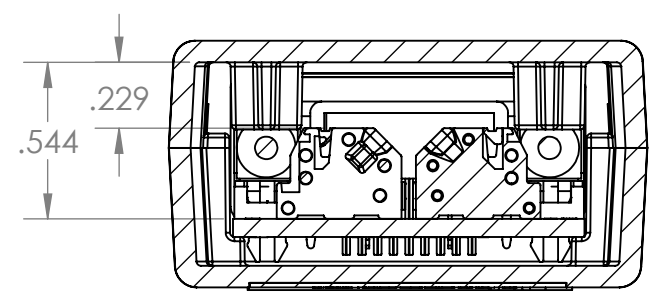
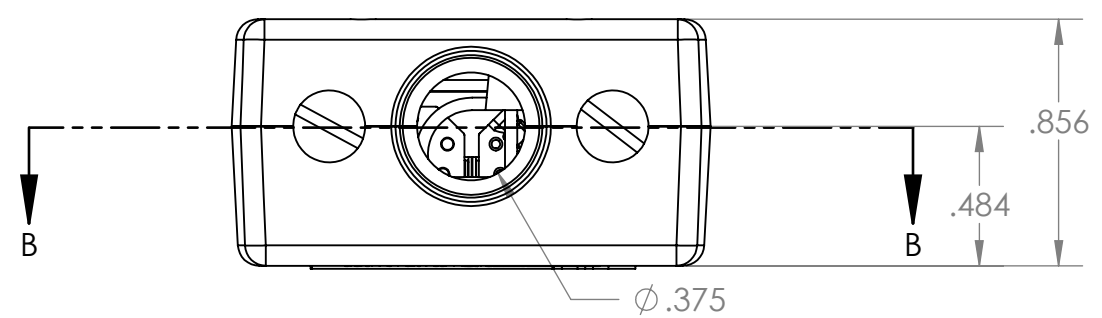
A




SECTION A-A



SECTION B-B



SECTION C-C

DIM: INCH	DATE: 10/15/2018	RoHS COMPLIANT: YES	DESCRIPTION:
 WINFORD ENGINEERING, LLC 4561 GARFIELD ROAD AUBURN, MI 48611			DB9 Female Breakout Board w/ Enclosure
			PART NUMBER (S)
www.winford.com	989-671-9721	BRKEGD9F-T	A

4 3 2 1