

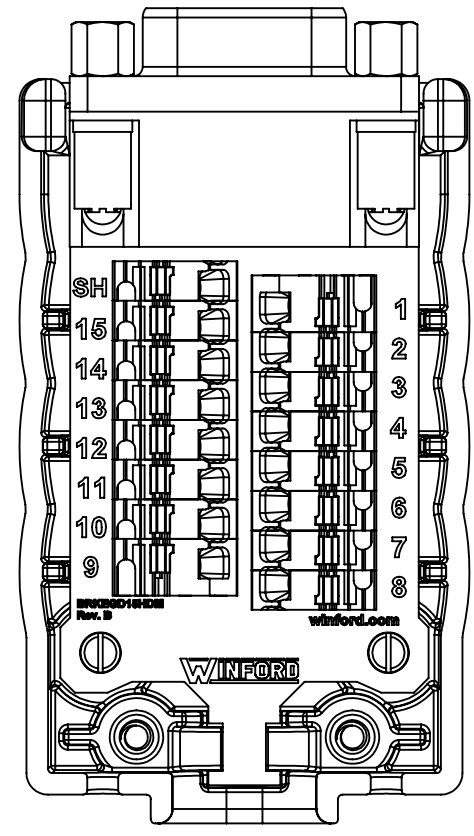
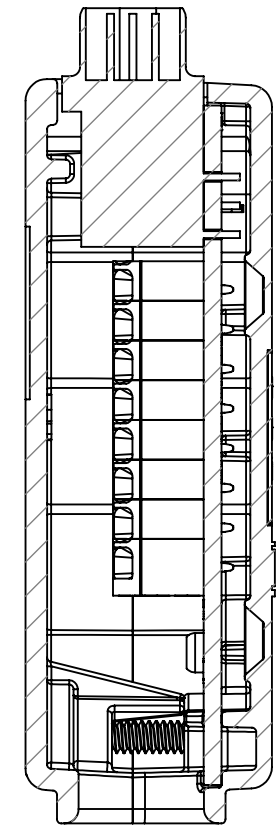
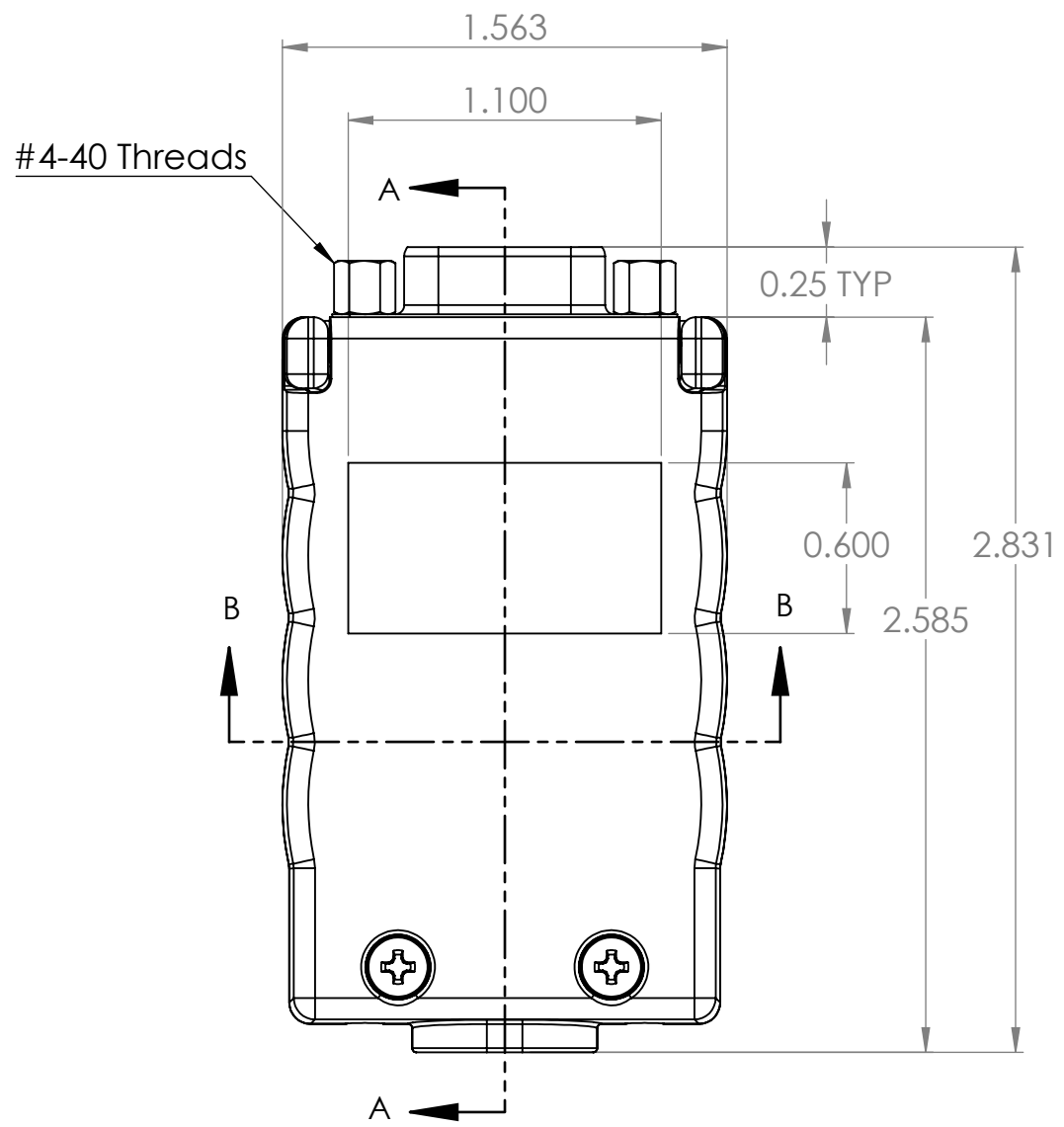
4

3

2

1

### Base, with board installed, No Cover



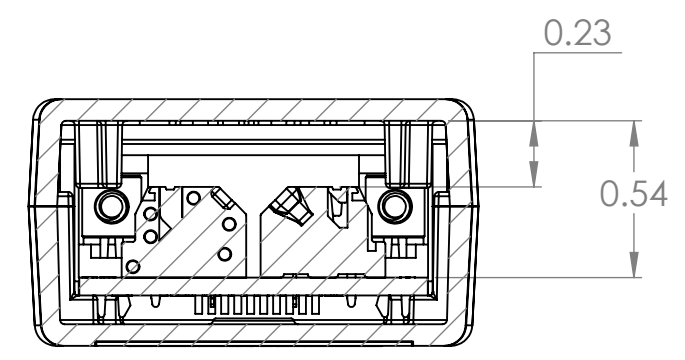
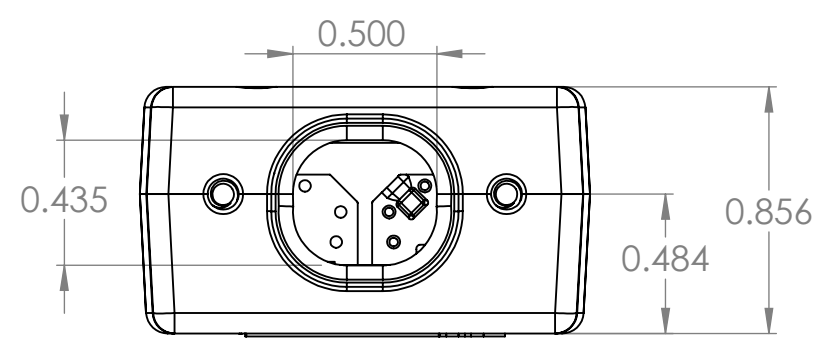
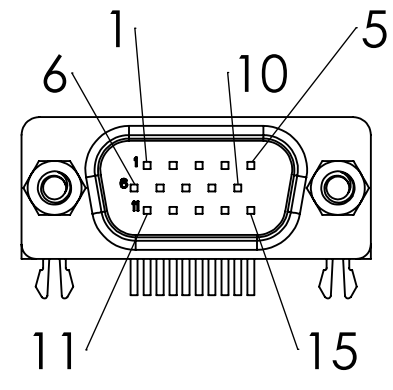
B


B

A

A

### Connector Pinout (Male)



DIM: INCH	DATE: 09/18/2024	RoHS COMPLIANT: Yes	DESCRIPTION:
 WINFORD ENGINEERING, LLC 4561 GARFIELD ROAD AUBURN, MI 48611			DB15HD Breakout W/ Enclosure
www.winford.com		989-671-9721	PART NUMBER (S) BRKEGD15HDM-R
			PART REVISION B

4

3

2

1