

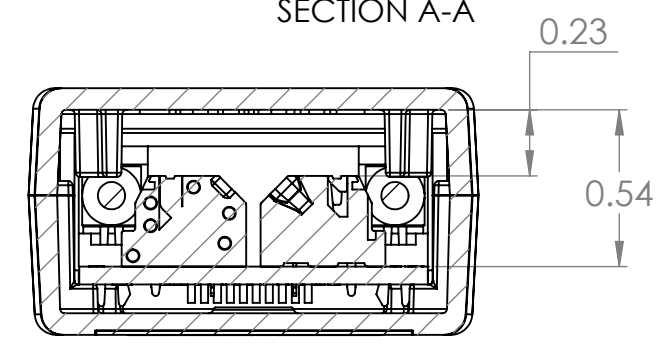
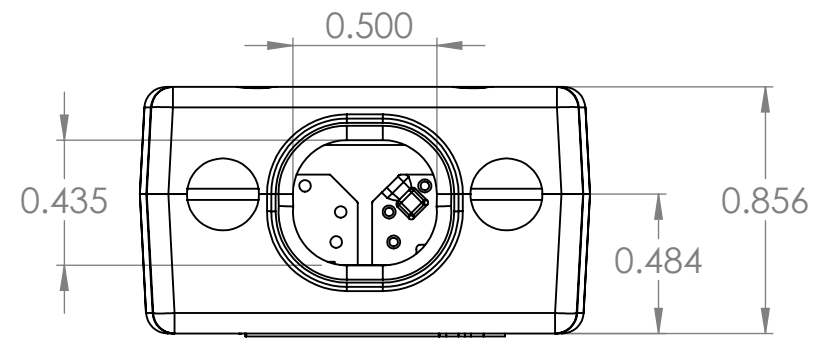
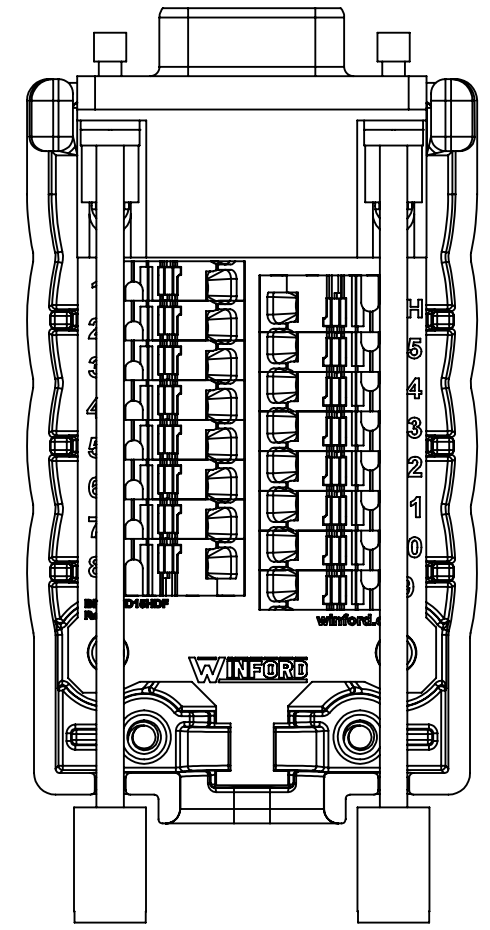
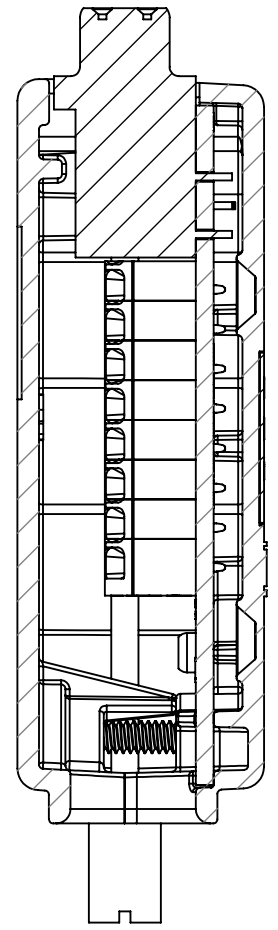
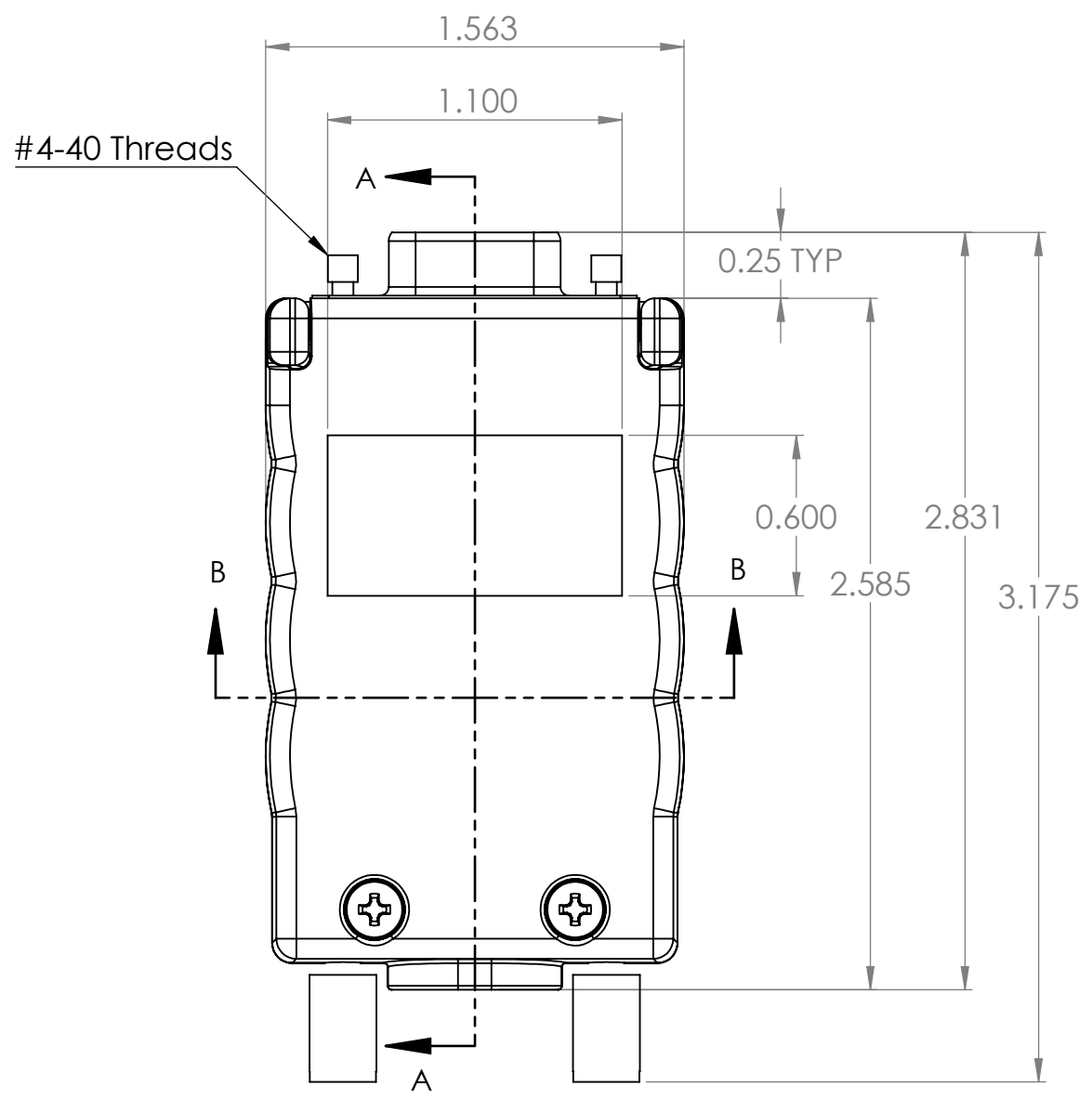
4

3

2

1

### Base, with board installed, No Cover



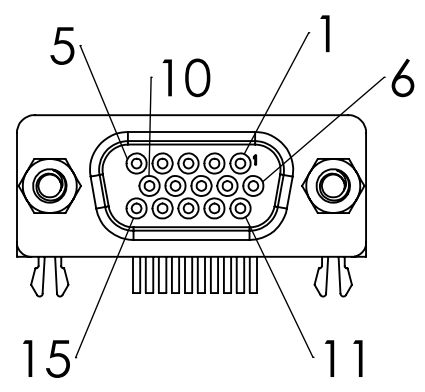
B

B

A

A

### Connector Pinout (Female)




4

3

2

1

DIM: INCH	DATE: 09/18/2024	RoHS COMPLIANT: Yes	DESCRIPTION:
 WINFORD ENGINEERING, LLC 4561 GARFIELD ROAD AUBURN, MI 48611			DB15HD Breakout W/ Enclosure
www.winford.com		989-671-9721	PART NUMBER (S)
			BRKEGD15HDF-T
			PART REVISION
			B