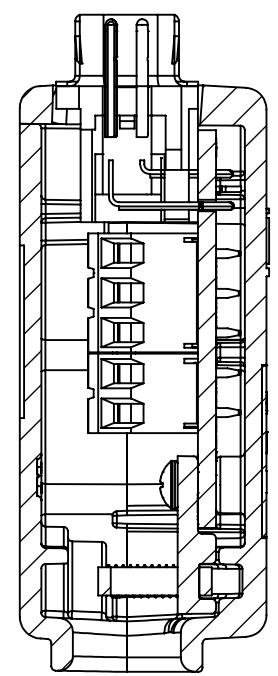
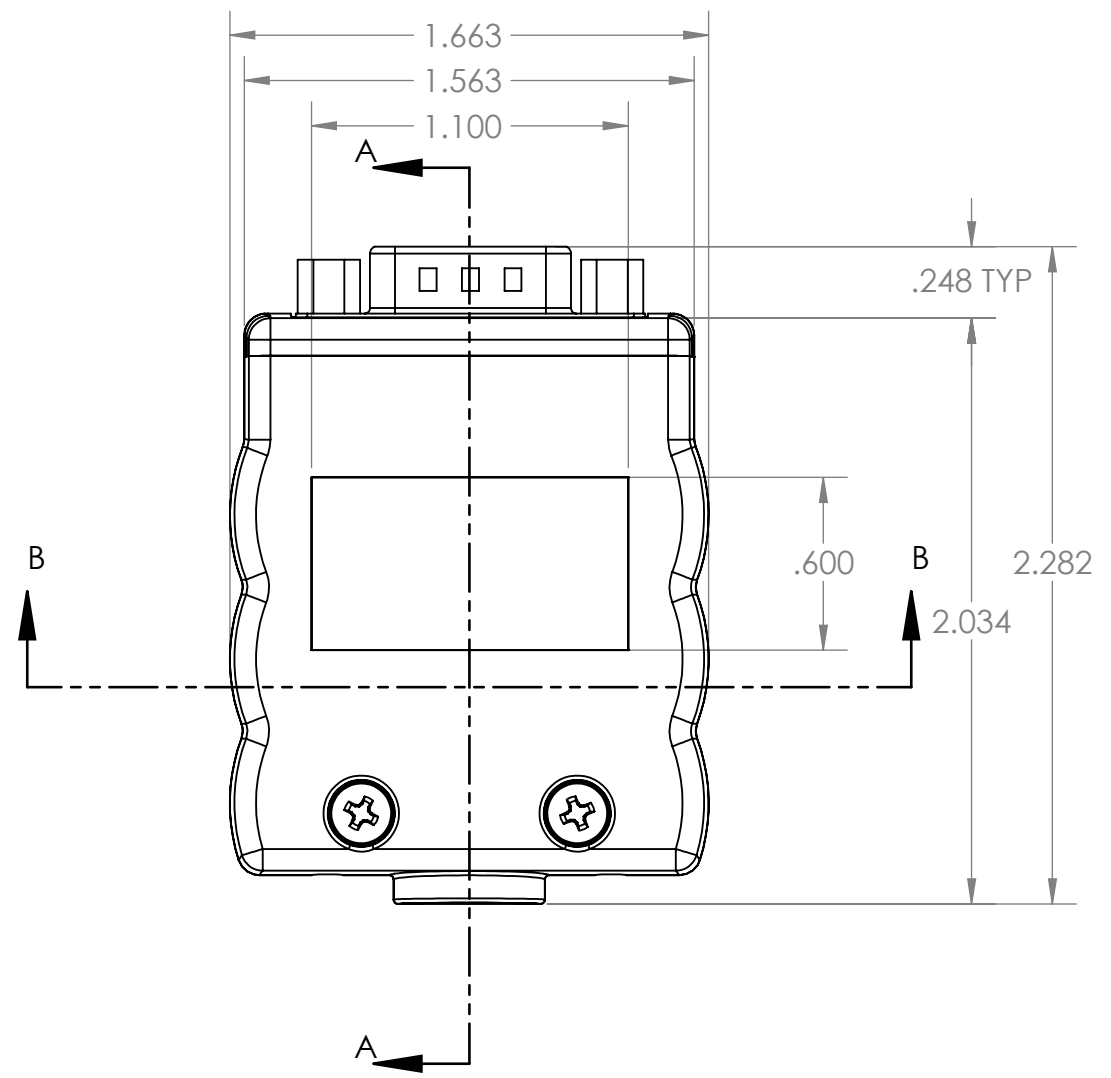


4

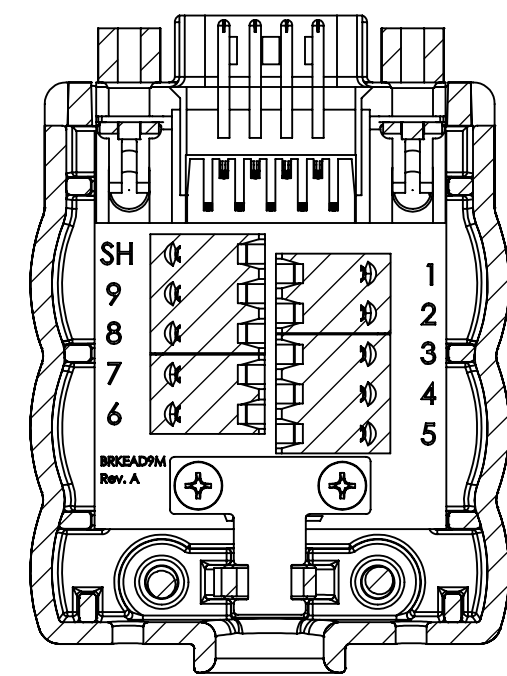
3

2

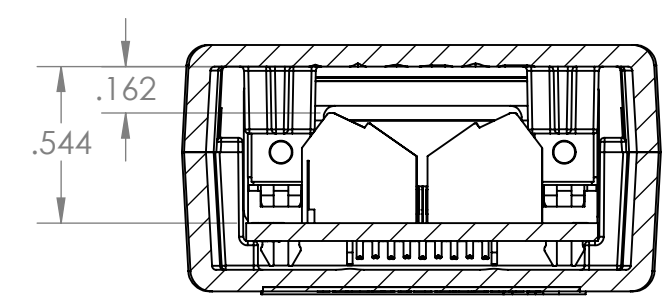
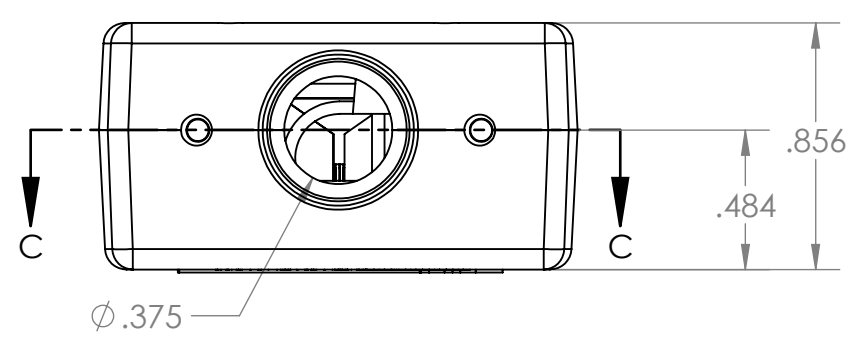
1



SECTION A-A



SECTION C-C



SECTION B-B

B

B

A


A

4

3

2

1

DIM: INCH	DATE: 10/9/2018	RoHS COMPLIANT: YES	DESCRIPTION: DB9 MALE BREAKOUT BOARD W/ ENCLOSURE
 WINFORD ENGINEERING, LLC 4561 GARFIELD ROAD AUBURN, MI 48611			PART NUMBER (S) BRKEAD9M-R
www.winford.com		989-671-9721	PART REVISION <b>A</b>