

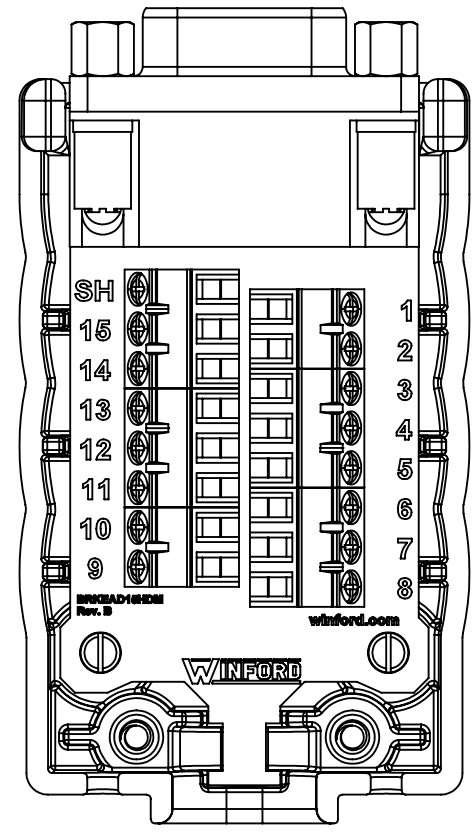
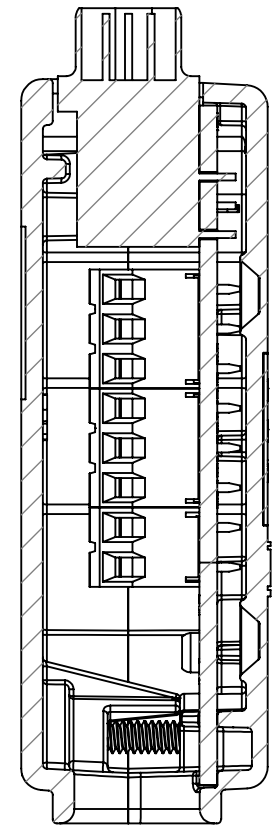
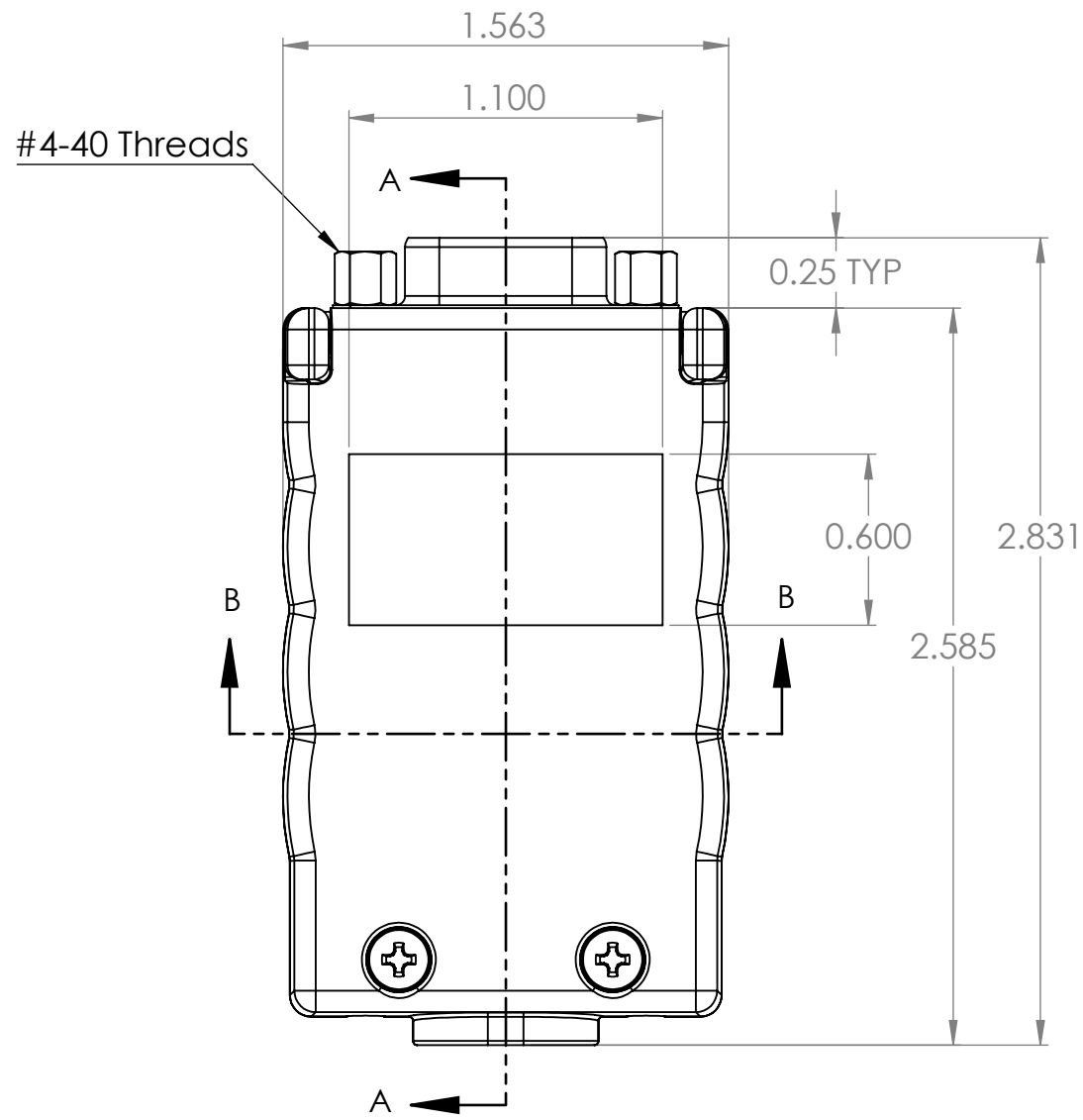
4

3

2

1

Base, with board installed, No Cover



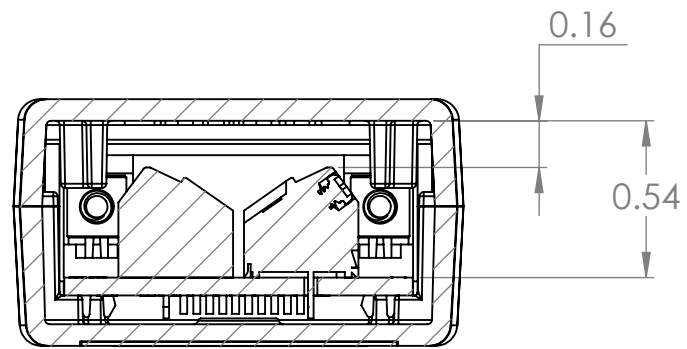
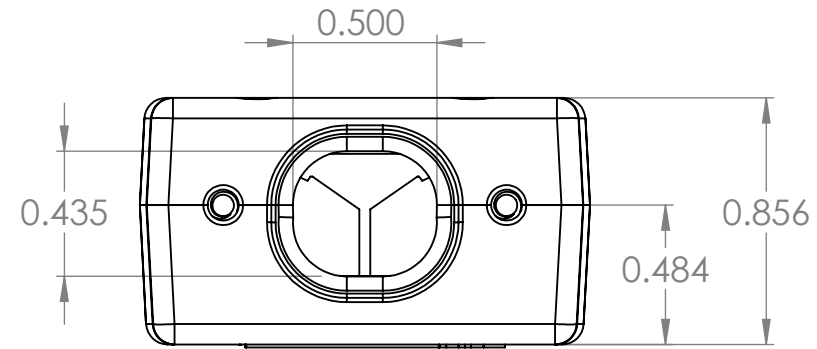
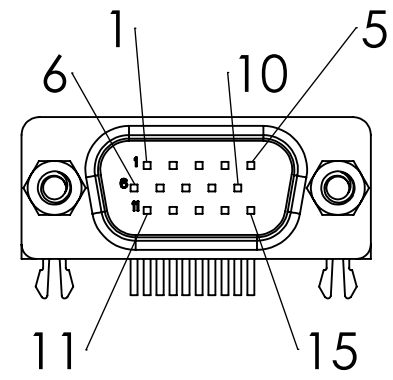
B


B

A

A

Connector Pinout (Male)



DIM: INCH	DATE: 09/17/2024	RoHS COMPLIANT: Yes	DESCRIPTION:
 WINFORD ENGINEERING, LLC 4561 GARFIELD ROAD AUBURN, MI 48611			DB15HD Breakout W/ Enclosure
www.winford.com		989-671-9721	PART NUMBER (S)
			BRKAD15HDM-R
			PART REVISION
			B

4

3

2

1