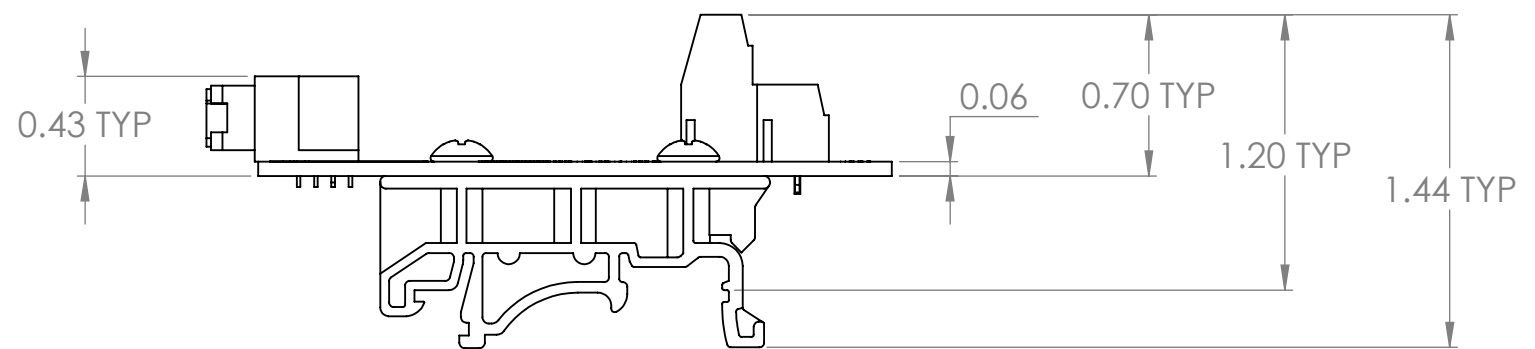
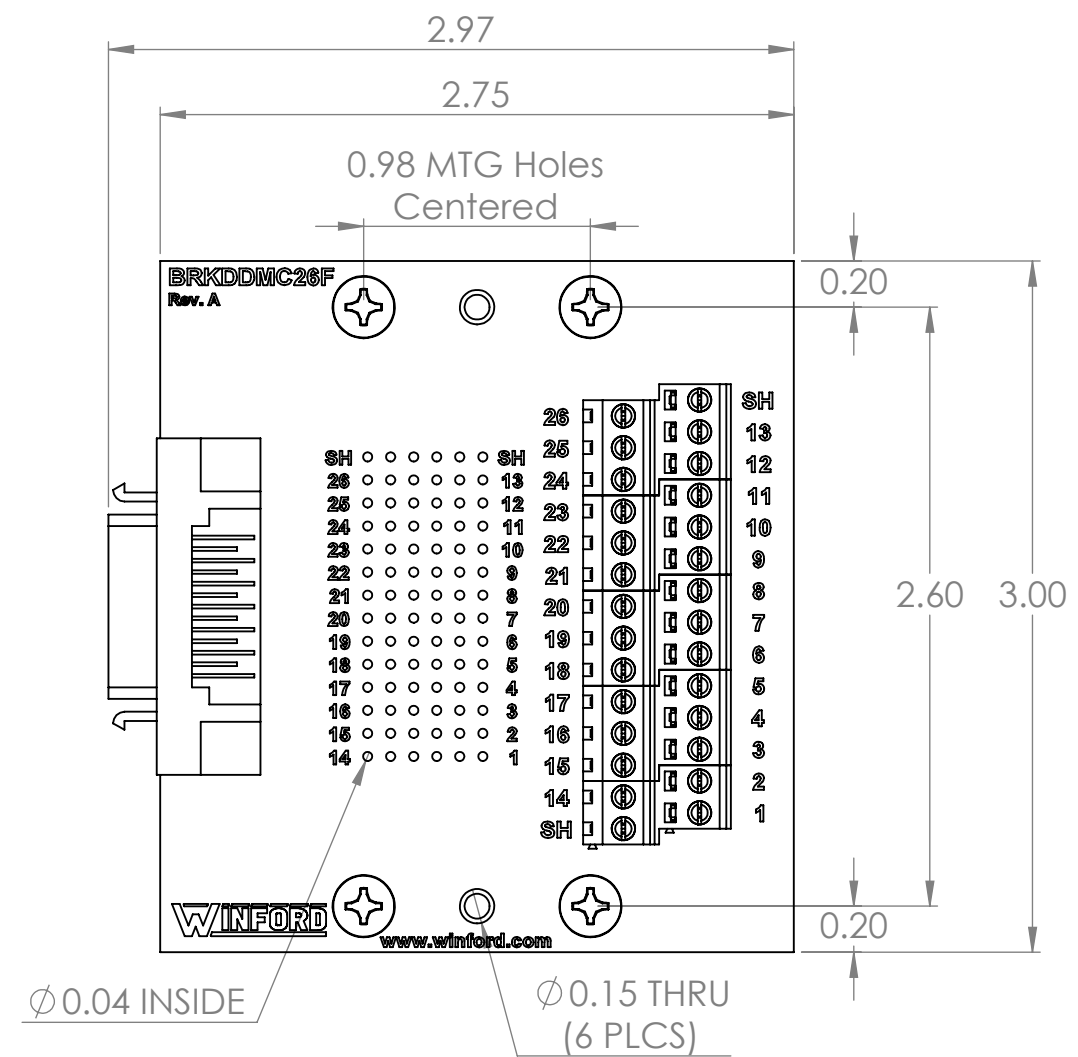
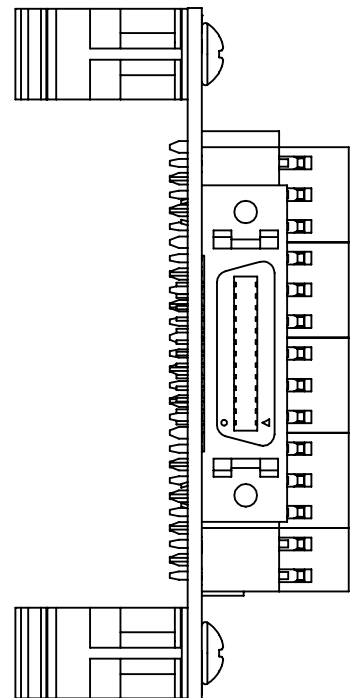


4

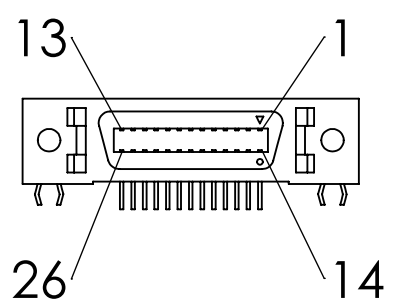
3

2

1



Connector Pinout



DIM: INCH	DATE: 04/18/2022	RoHS COMPLIANT: Yes	DESCRIPTION:
 WINFORD ENGINEERING, LLC 4561 GARFIELD ROAD AUBURN, MI 48611			Mini Delta Ribbon 26 Pin Breakout
www.winford.com		989-671-9721	PART NUMBER (S) BRKDDMC26F-R-DIN
			PART REVISION A

4

3

2

1