

4

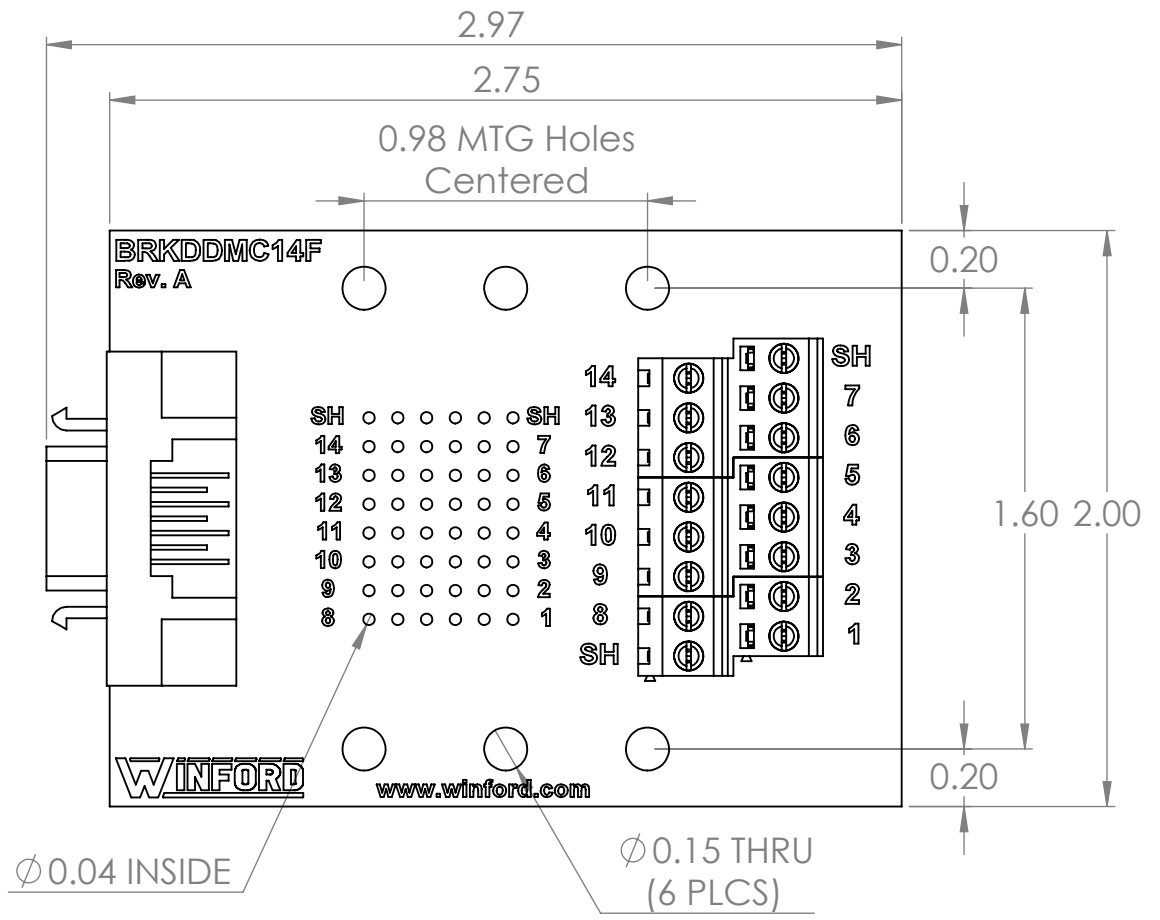
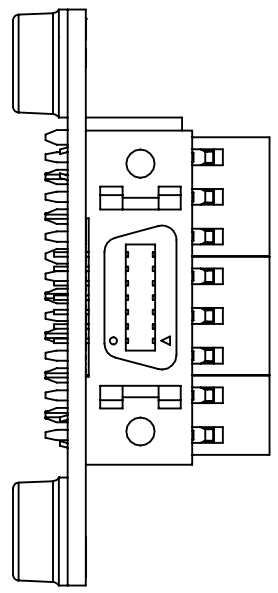
3

2

1

B

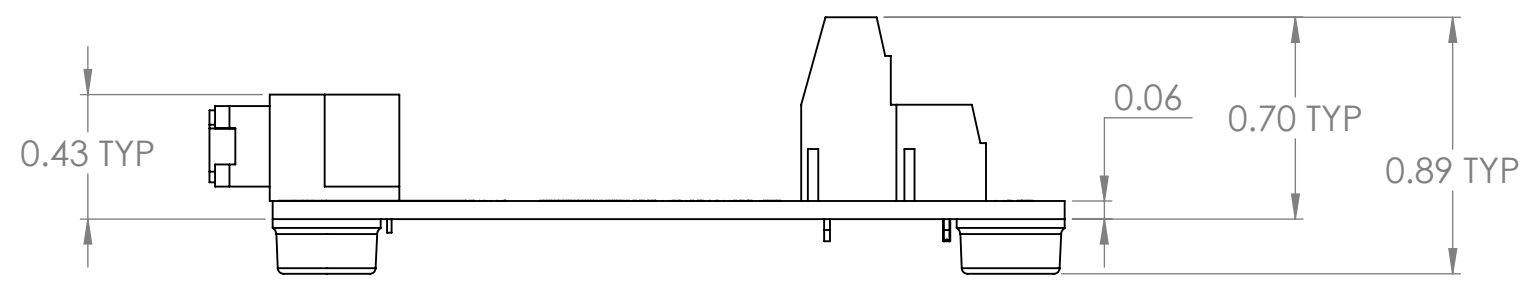
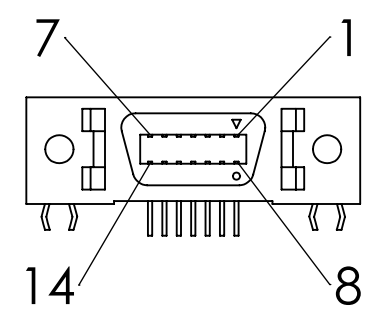
B



A

A

Connector Pinout (Female)



4

3

2

1

DIM: INCH	DATE: 09/01/2023	RoHS COMPLIANT: Yes	DESCRIPTION:
 WINFORD ENGINEERING, LLC 4561 GARFIELD ROAD AUBURN, MI 48611			Mini Delta Ribbon 14 Pin Breakout
www.winford.com		989-671-9721	PART NUMBER (S) <b>BRKDDMC14F-R-FT</b>
			PART REVISION <b>A</b>