

4

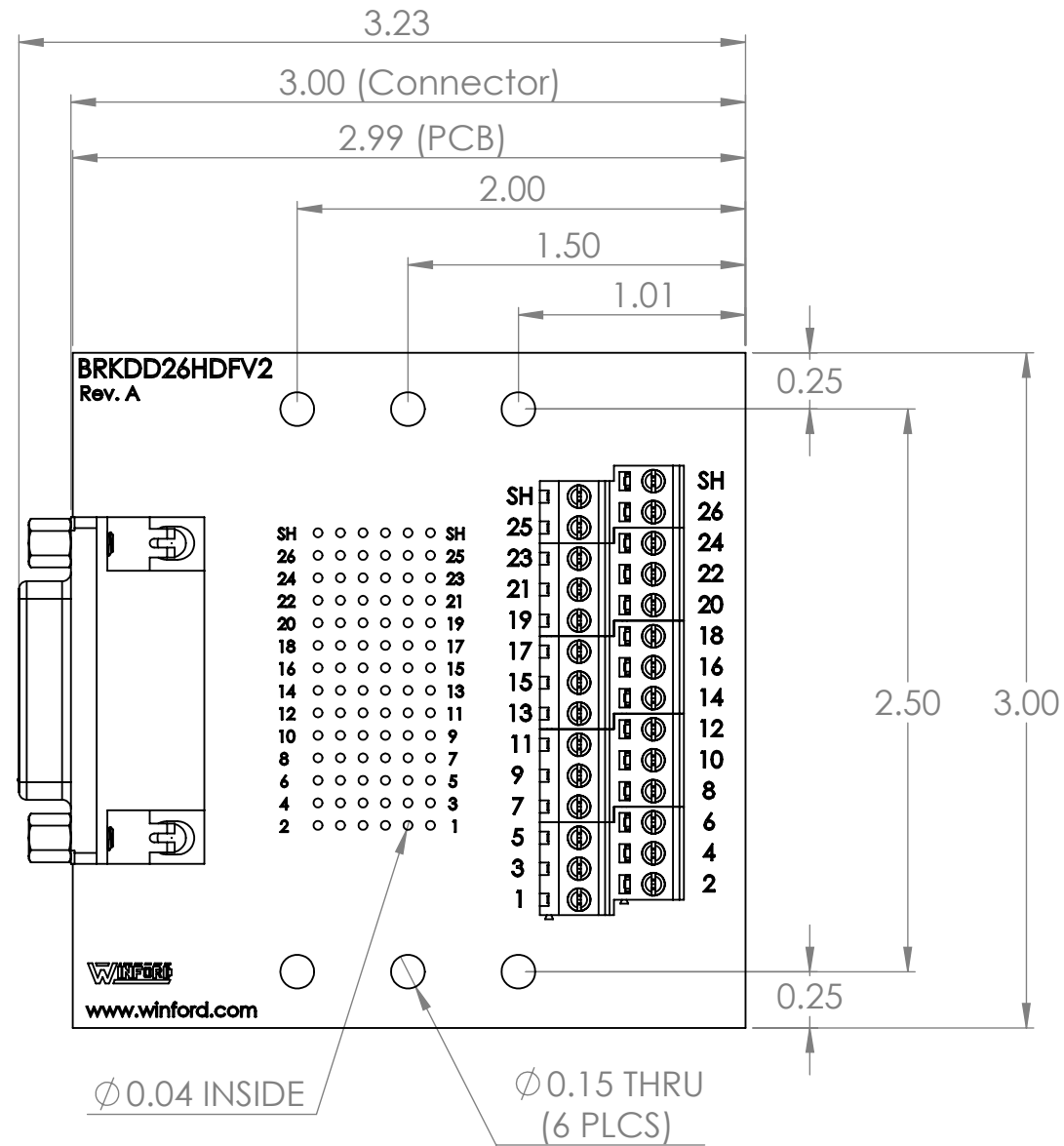
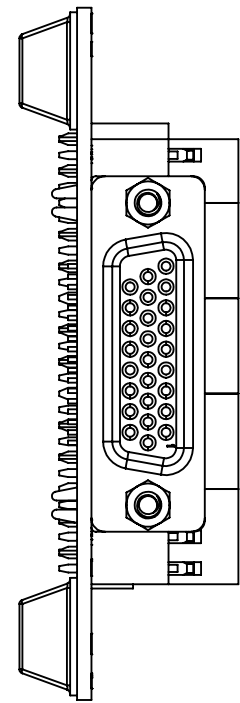
3

2

1

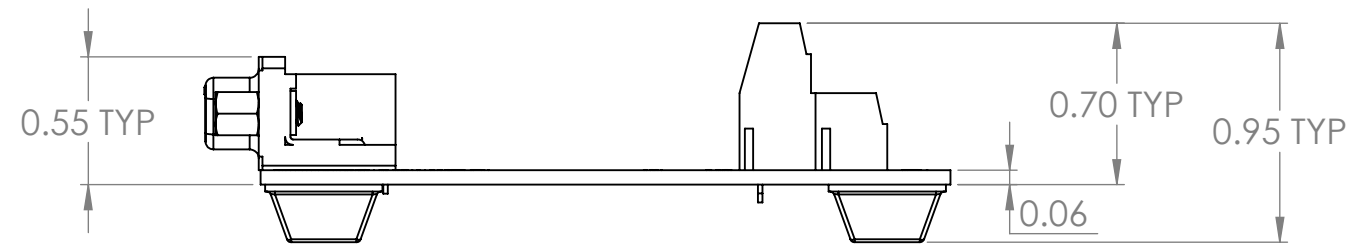
B

B

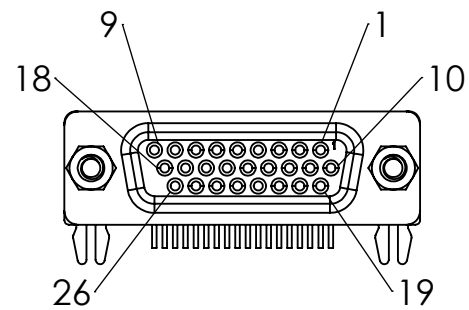



A

A



Connector Pinout



DIM: INCH	DATE: 08/09/2021	RoHS COMPLIANT: Yes	DESCRIPTION:
 WINFORD ENGINEERING, LLC 4561 GARFIELD ROAD AUBURN, MI 48611			DB26HD Female Breakout Board
www.winford.com		989-671-9721	PART NUMBER (S) BRKDD26HDFV2-R-FT
			PART REVISION A

4

3

2

1