

4

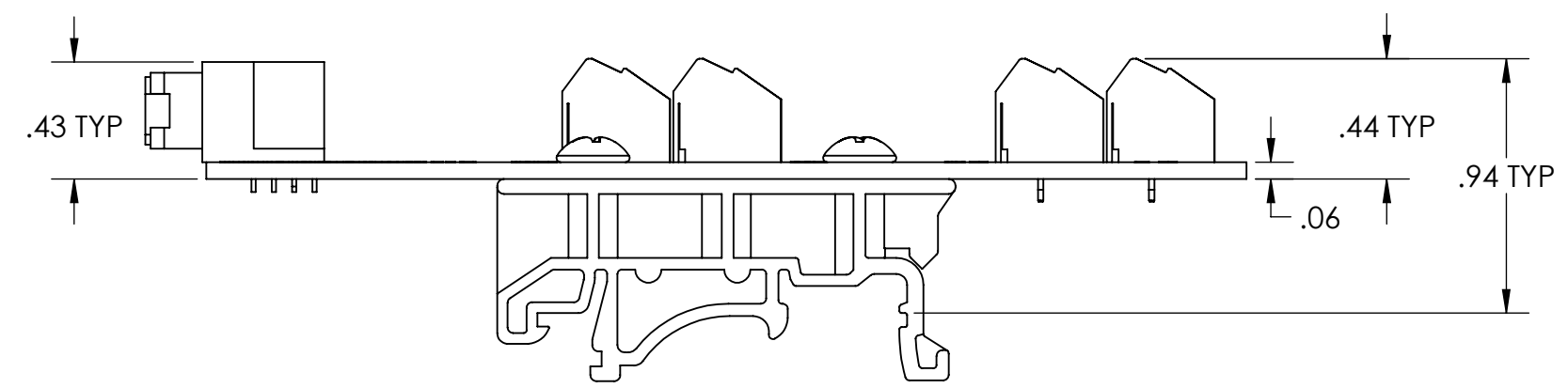
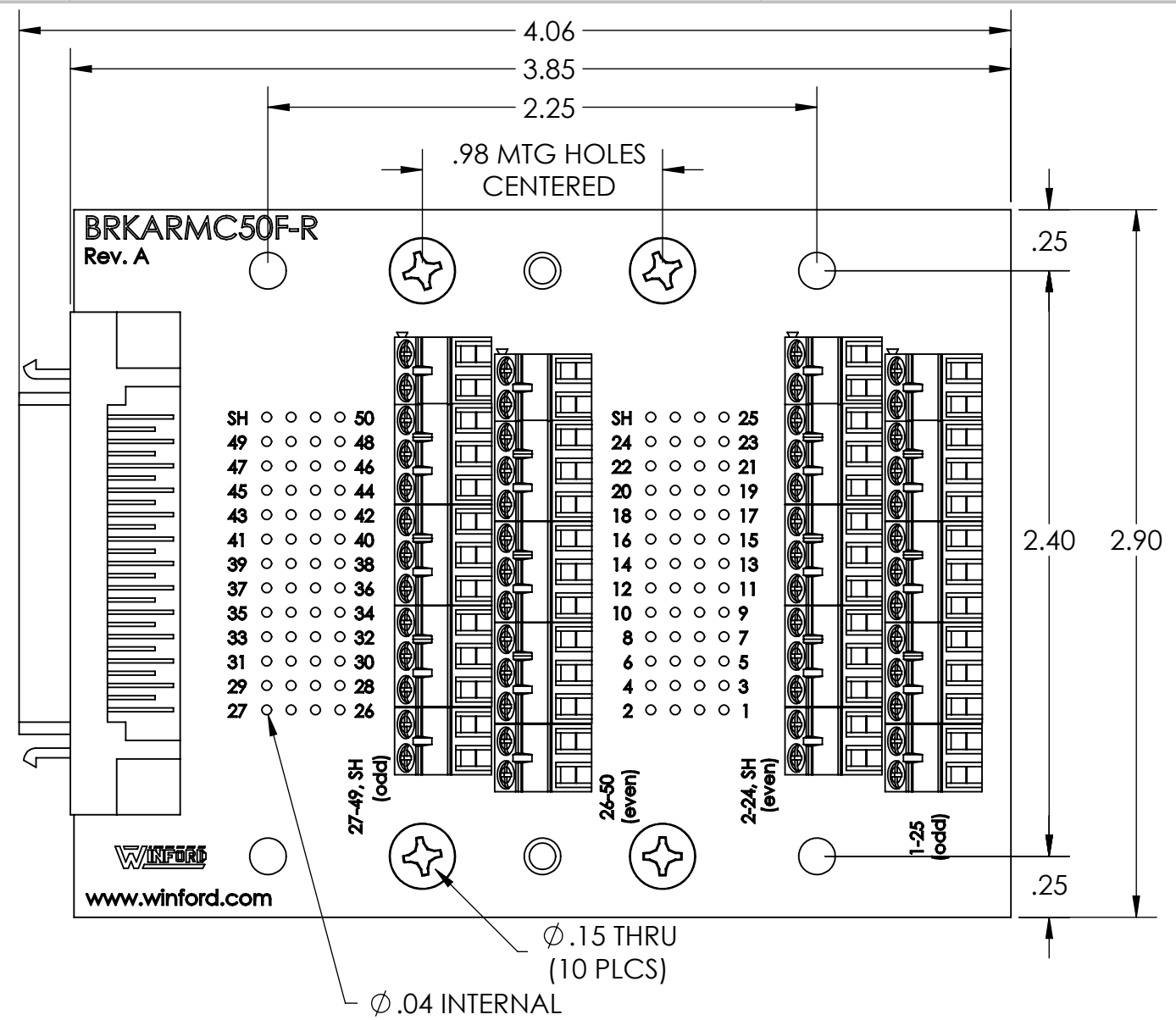
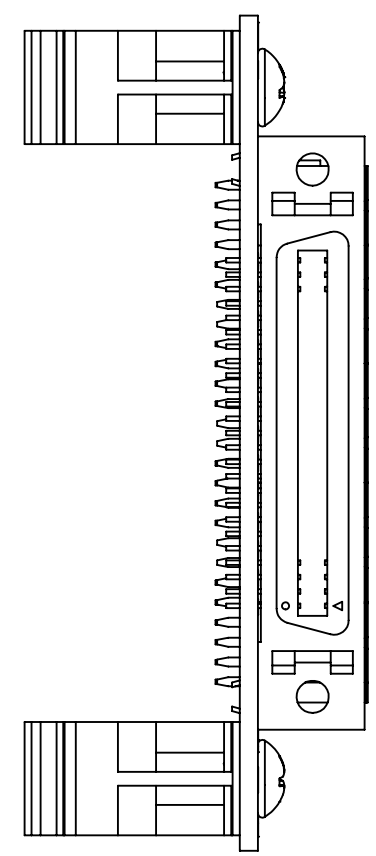
3

2

1

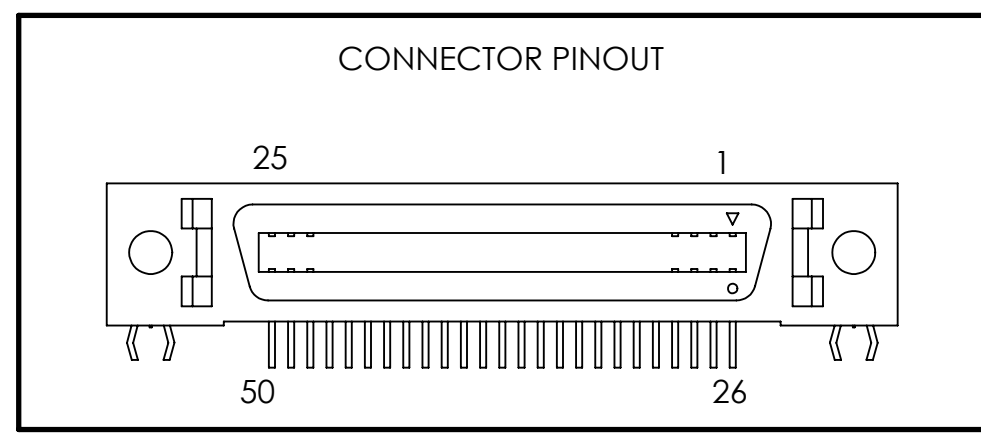
B

B



A

A



| | | | |
|-----------------|-----------------|--|--|
| DIM: INCH | DATE: 12/1/2019 | RoHS COMPLIANT: YES | DESCRIPTION: MDR 50-Pin Female Breakout Board |
| | | WINFORD ENGINEERING, LLC 4561 GARFIELD ROAD AUBURN, MI 48611 | PART NUMBER (S) BRKARMC50F-R6-DIN |
| www.winford.com | | 989-671-9721 | PART REVISION A |

4

3

2

1