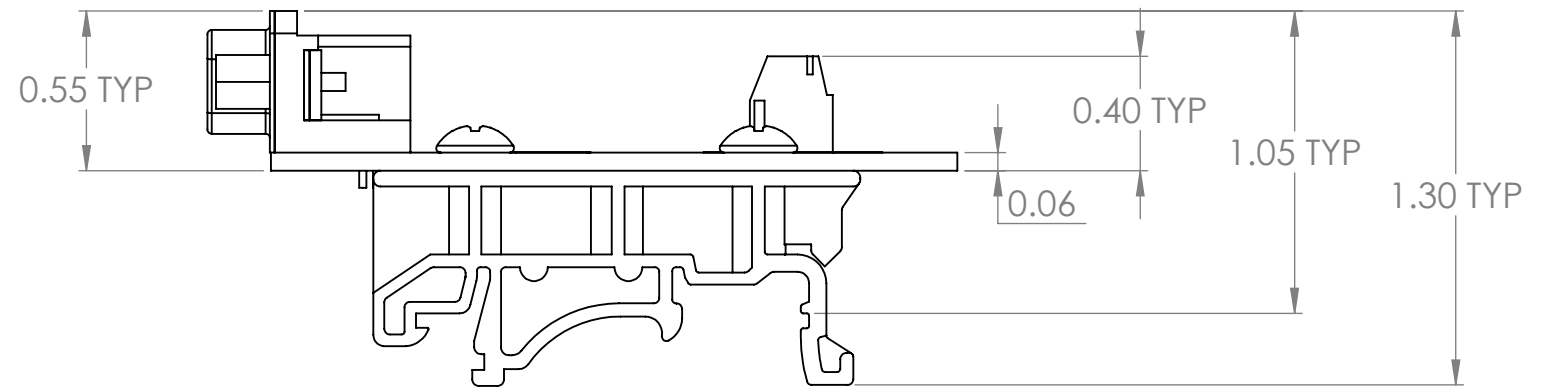
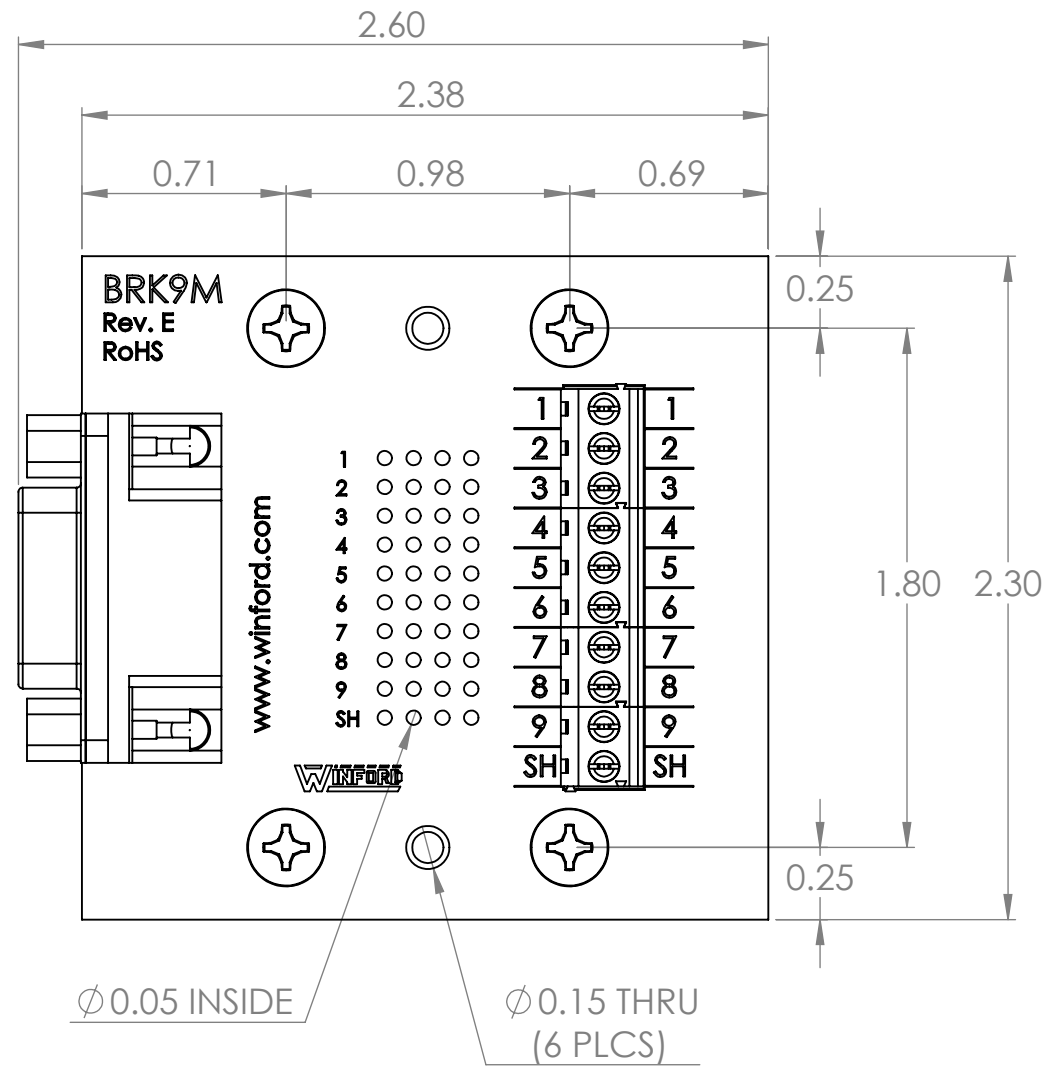
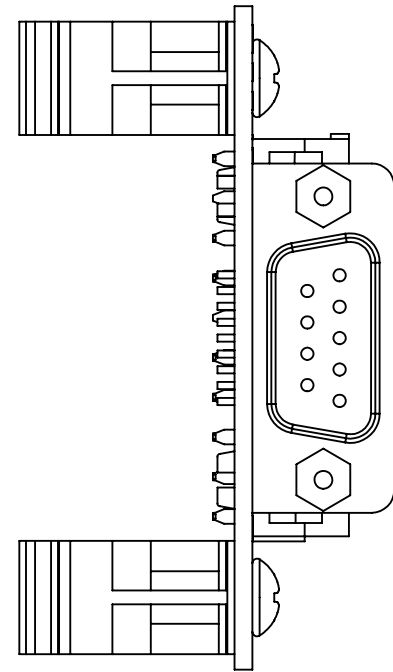


4

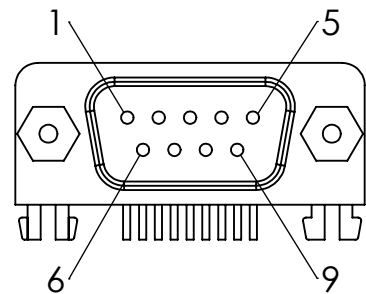
3

2

1



Connector Pinout



DIM: INCH	DATE: 07/28/2021	RoHS COMPLIANT: Yes	DESCRIPTION:
 WINFORD ENGINEERING, LLC 4561 GARFIELD ROAD AUBURN, MI 48611			DB9 Male Breakout Board
www.winford.com		989-671-9721	PART NUMBER (S) BRK9M-R-DIN
			PART REVISION E

4

3

2

1