

4

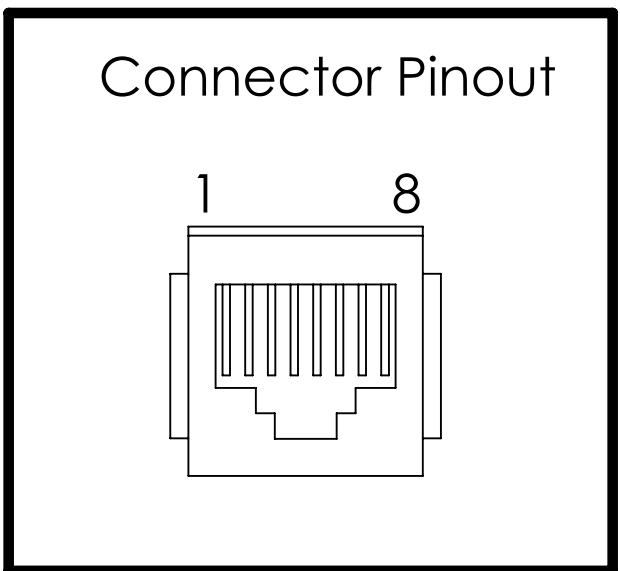
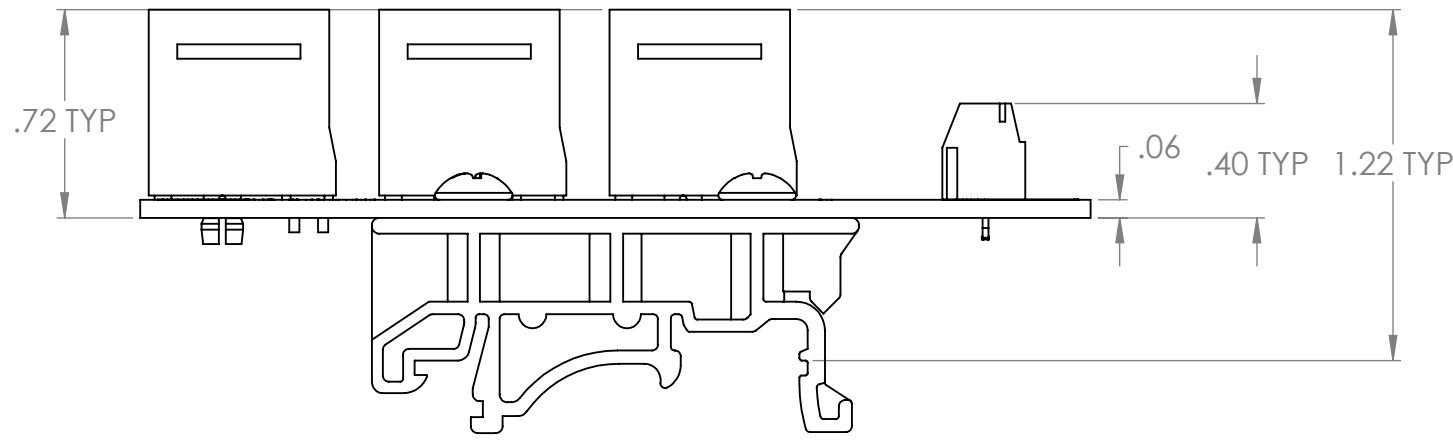
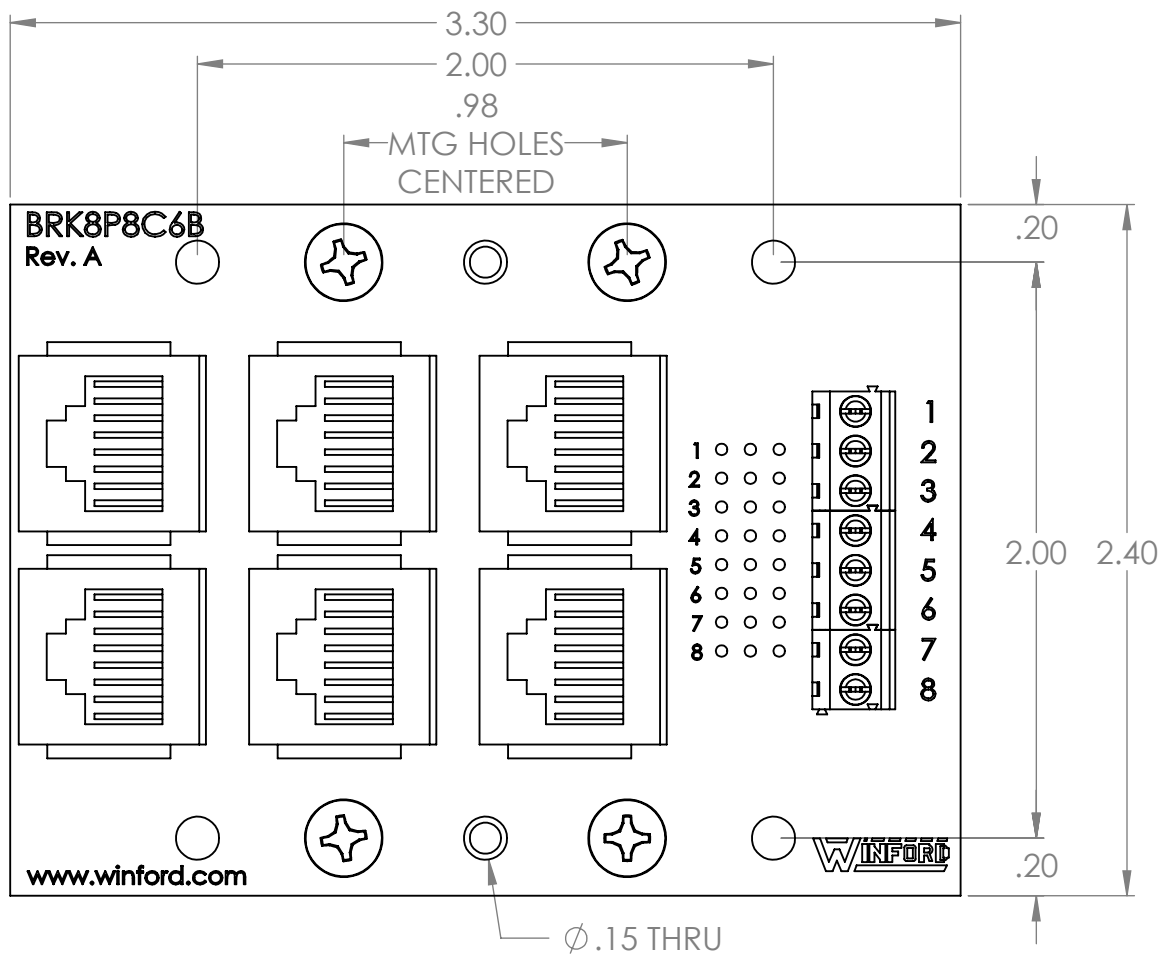
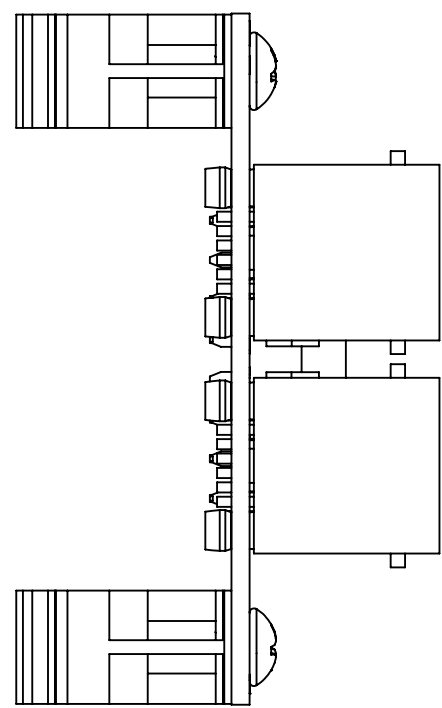
3


2

1

B

B



DIM: INCH	DATE: 05/27/2019	RoHS COMPLIANT: YES	DESCRIPTION:
 WINFORD ENGINEERING, LLC 4561 GARFIELD ROAD AUBURN, MI 48611			<b>RJ45 6-Way Buss Breakout</b>
www.winford.com		989-671-9721	PART NUMBER (S)
			<b>BRK8P8C6B-S-DIN</b>
			PART REVISION
			<b>A</b>

4

3

2

1

A

A