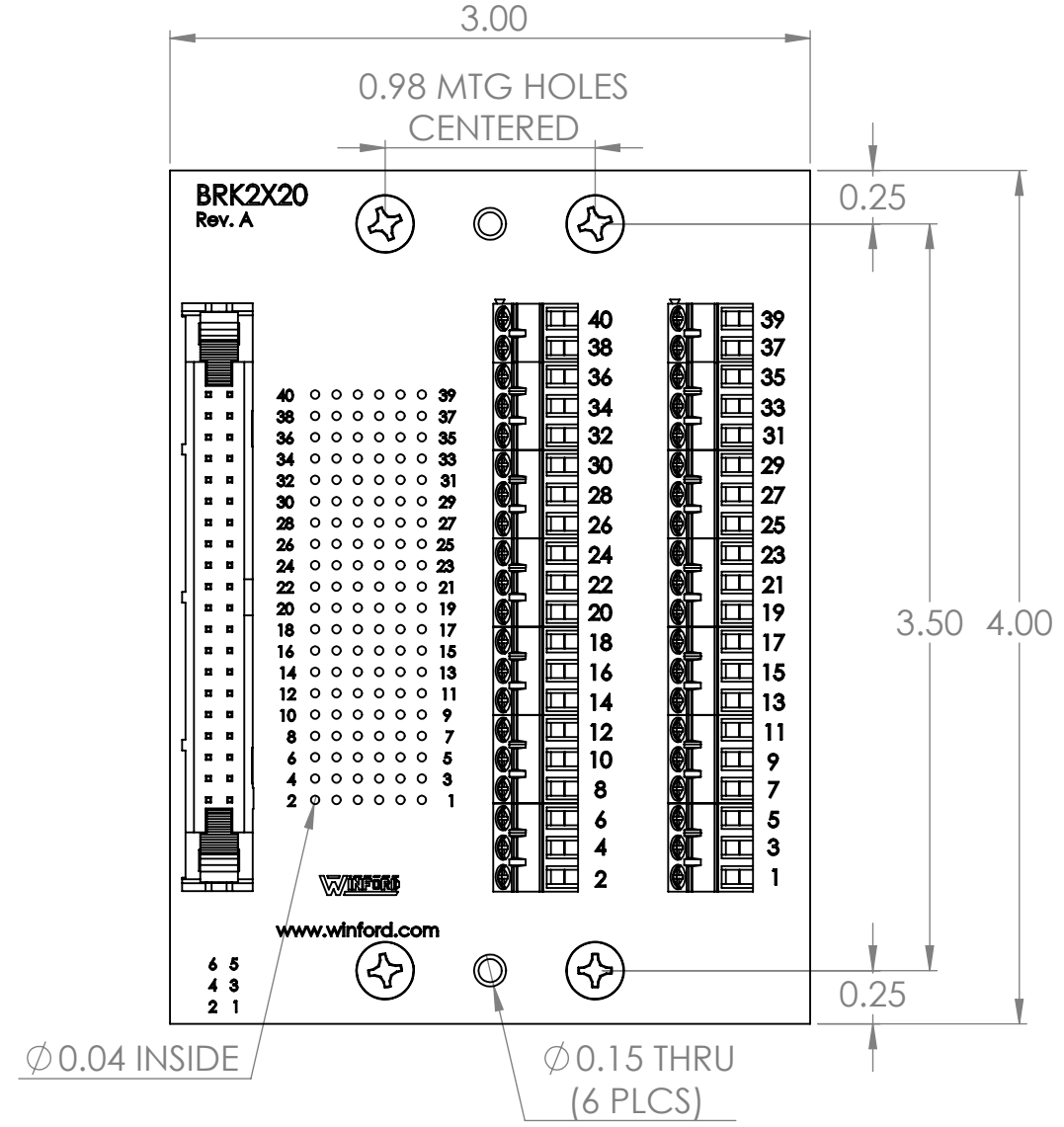
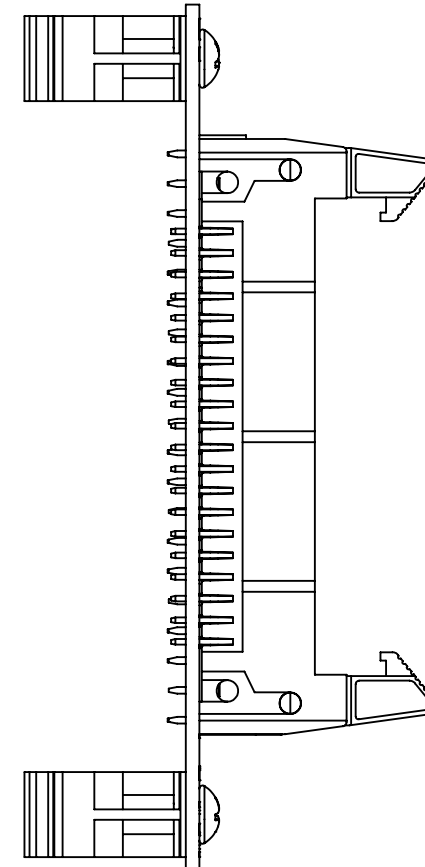


4

3

2

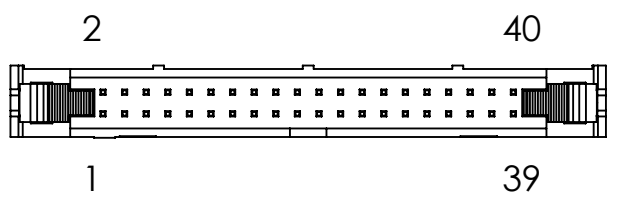
1



B

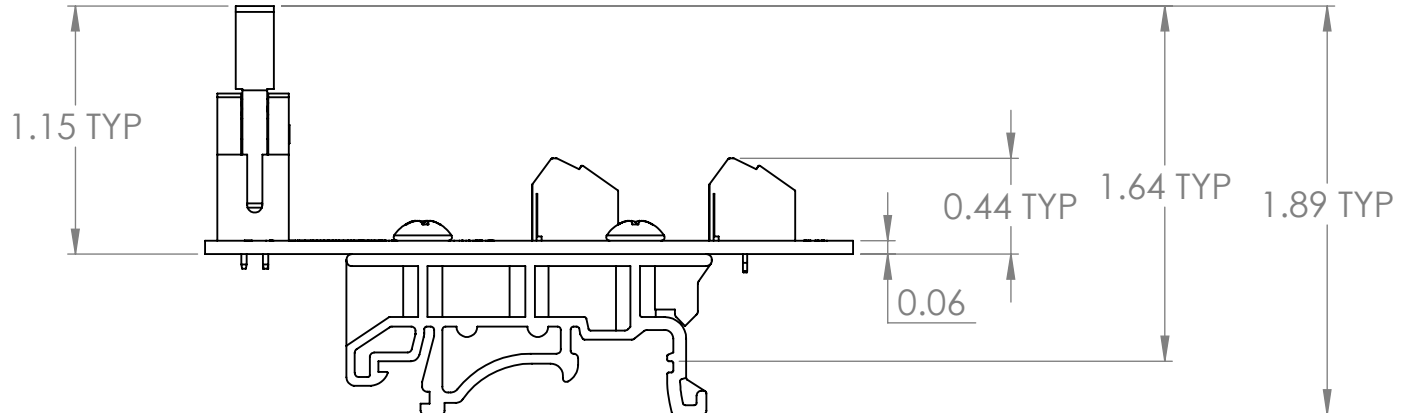
B

Connector Pinout



A

A



| | | | |
|-----------------|------------------|--|---|
| DIM: INCH | DATE: 07/09/2021 | RoHS COMPLIANT: Yes | DESCRIPTION: 2x20 0.1" Header Breakout Board |
| | | WINFORD ENGINEERING, LLC 4561 GARFIELD ROAD AUBURN, MI 48611 | PART NUMBER (S) BRK2X20-L-DIN |
| www.winford.com | | 989-671-9721 | PART REVISION A |

4

3

2

1