

# TRG101

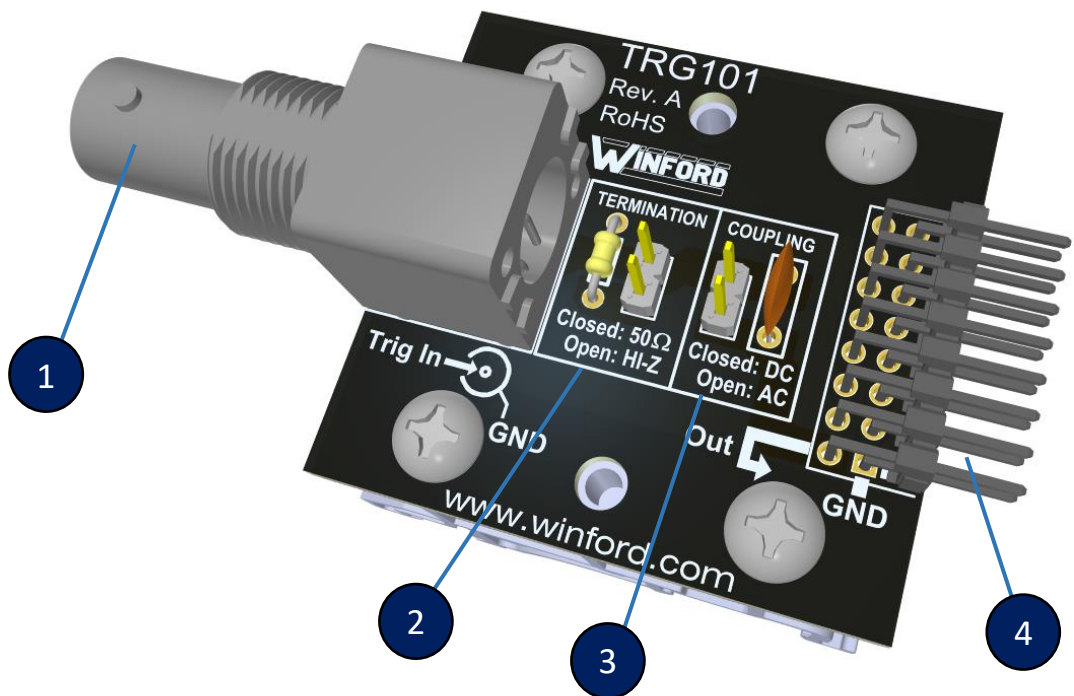


## Trigger Adapter, BNC to 8x2 Header

### Overview

This product provides a simple way to connect an oscilloscope's digital input to an external trigger source having a BNC connector. This is particularly useful for oscilloscopes that have digital inputs but not an external trigger input connector. An added benefit of using a digital input for triggering is that it allows the external trigger signal to be displayed.

### Key Features



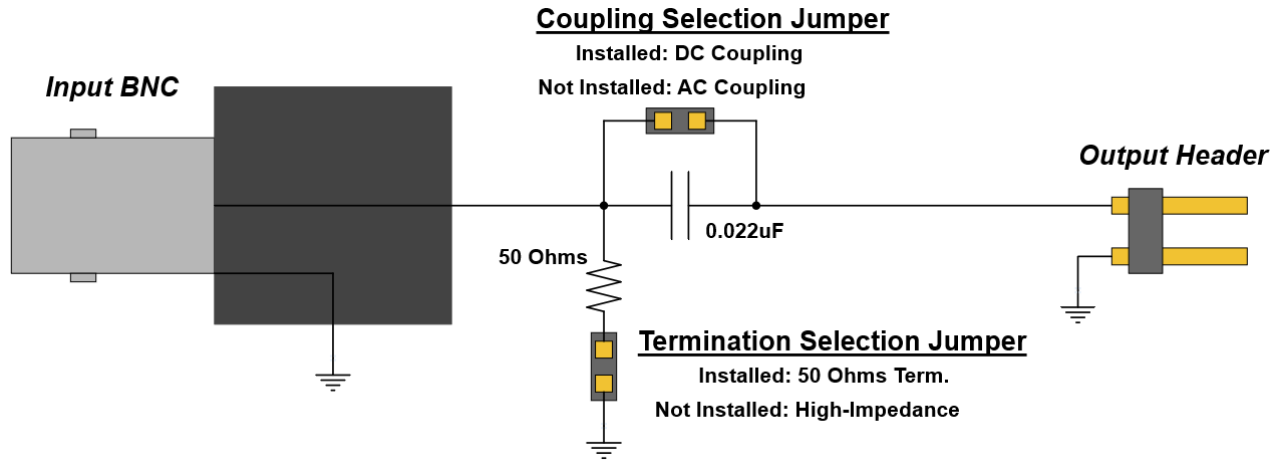
1	BNC connector (connects to external trigger source)
2	Option for 50 Ohm termination (jumper installed) or high-impedance (not installed)
3	Option for DC coupling (jumper installed) or AC coupling (not installed)
4	Pin header, 2x8, pitch of 0.1" (connects to oscilloscope digital inputs)

# TRG101

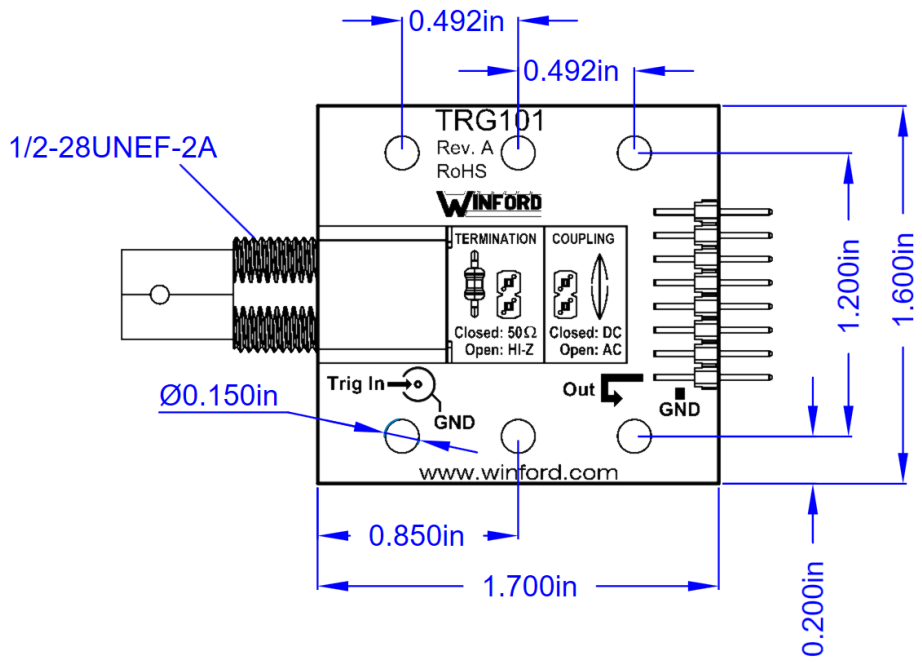
## Trigger Adapter, BNC to 8x2 Header



### Schematic



### Mechanical Drawing



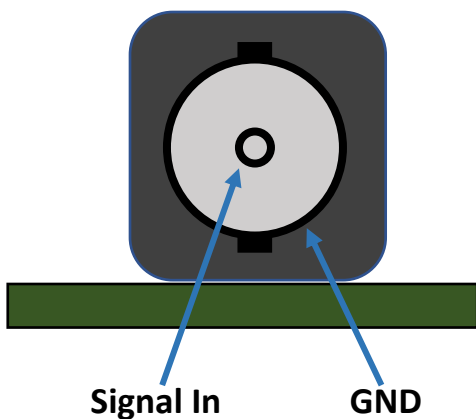
For this product, the specific manufacturer and manufacturer part number for the BNC connector and 2x8 header may vary from batch to batch. Thus, there may be some very slight differences in dimensions specifically associated with those parts (e.g., overall length of the BNC connector). If there is an application in which slight manufacturer-specific differences in connectors is not acceptable, please contact Winford Engineering to discuss further.

### *Additional Features*

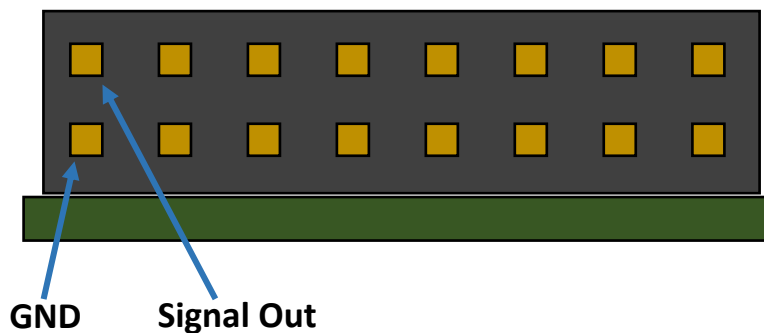
- PCB size: 1.7" x 1.6"
- Termination and coupling jumpers included
- Available with rubber feet (-FT version) or DIN clips (-DIN version)
- Assembled at Winford Engineering manufacturing facility in Michigan, USA

### *Pinouts*

#### BNC Connector



#### 2x8 Pin Header



Remaining pins in the 2x8 header are not connected.