



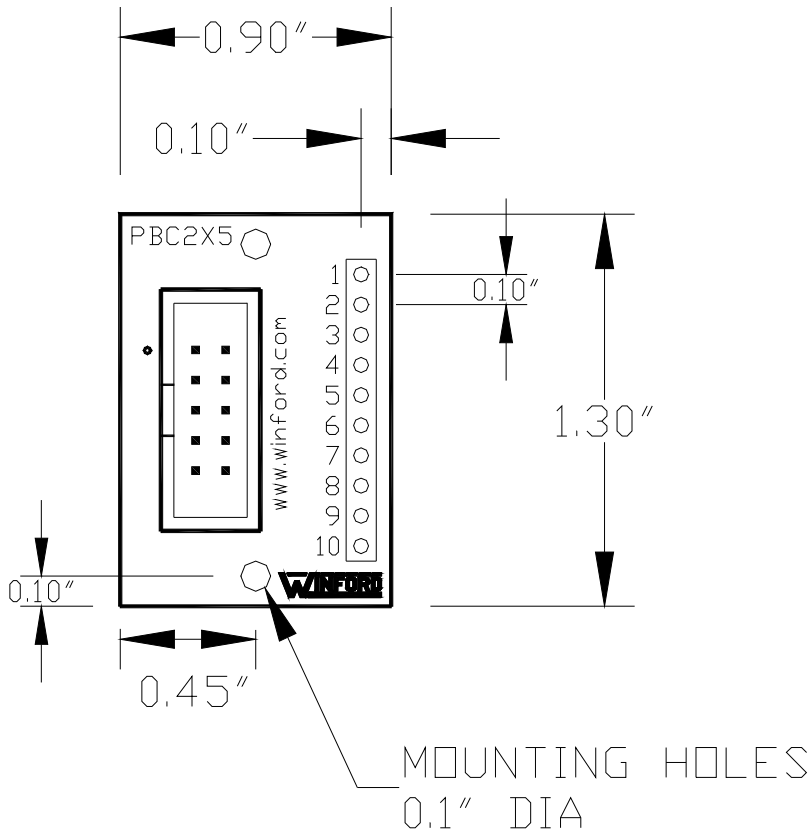
WINFORD ENGINEERING, LLC

4561 Garfield Road • Auburn, MI 48611

www.winford.com • sales@winford.com

1-877-634-2673 • FAX: 1-989-671-2941

PBC2X5 Physical Layout



2x5 Header Pinout

