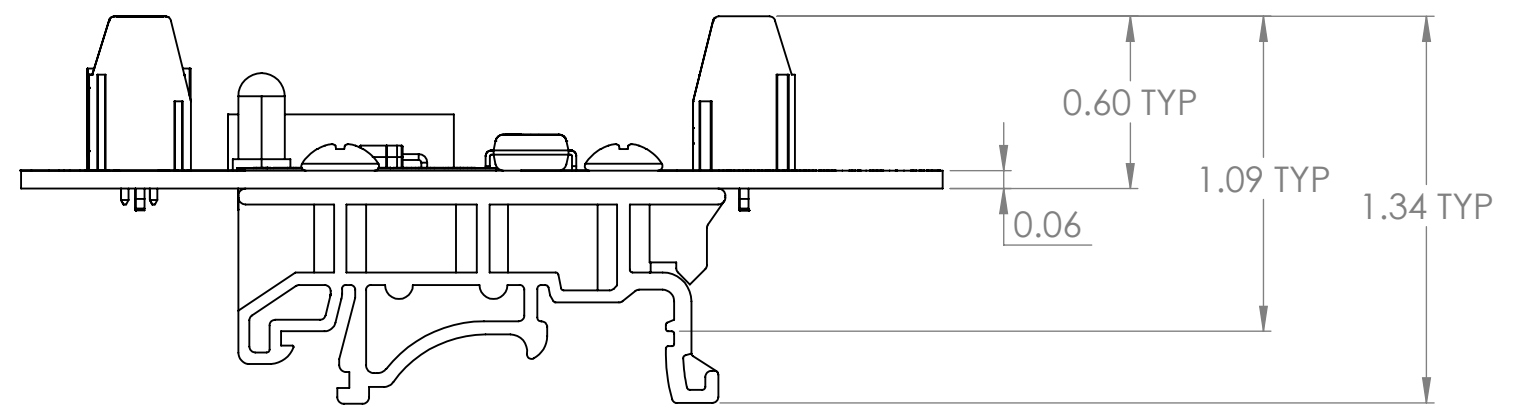
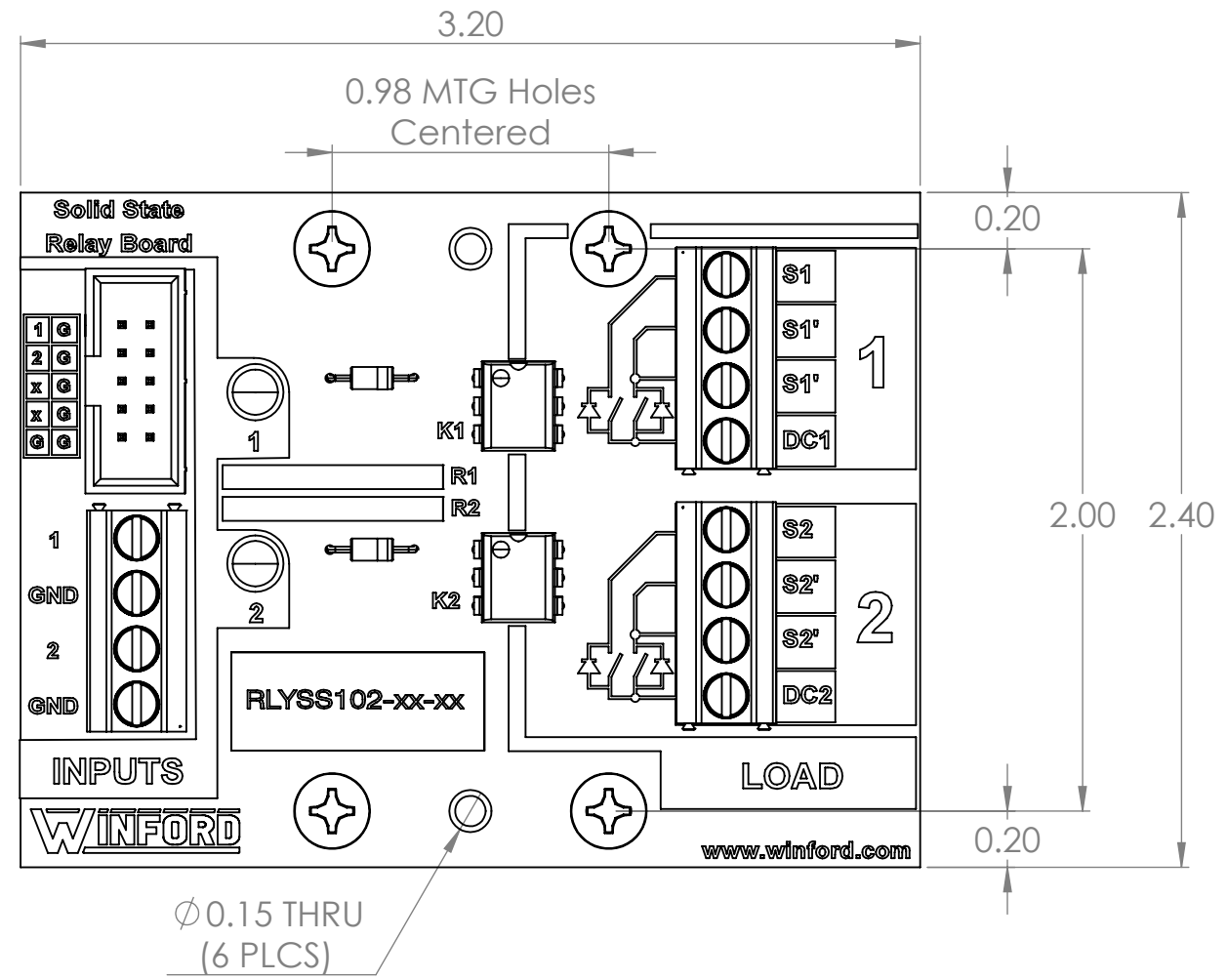
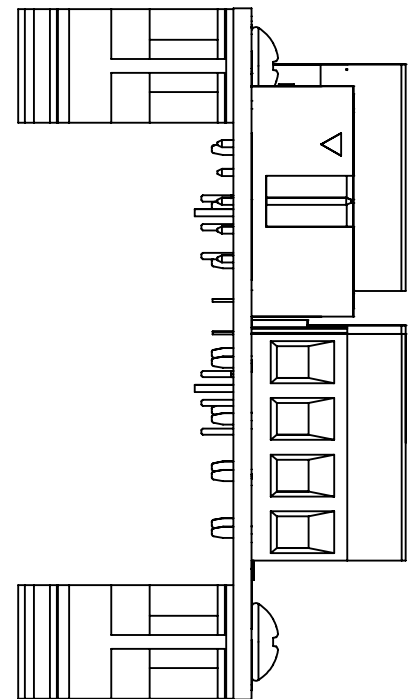


4

3

2

1



B

B

A


A

4

3

2

1

DIM: INCH	DATE: 09/16/2022	RoHS COMPLIANT: Yes	DESCRIPTION: Solid-State 2-Channel SPST Relay Board
 WINFORD ENGINEERING, LLC 4561 GARFIELD ROAD AUBURN, MI 48611			PART NUMBER (S) RLYSS102-xx-xx-DIN
www.winford.com		989-671-9721	PART REVISION A