

4

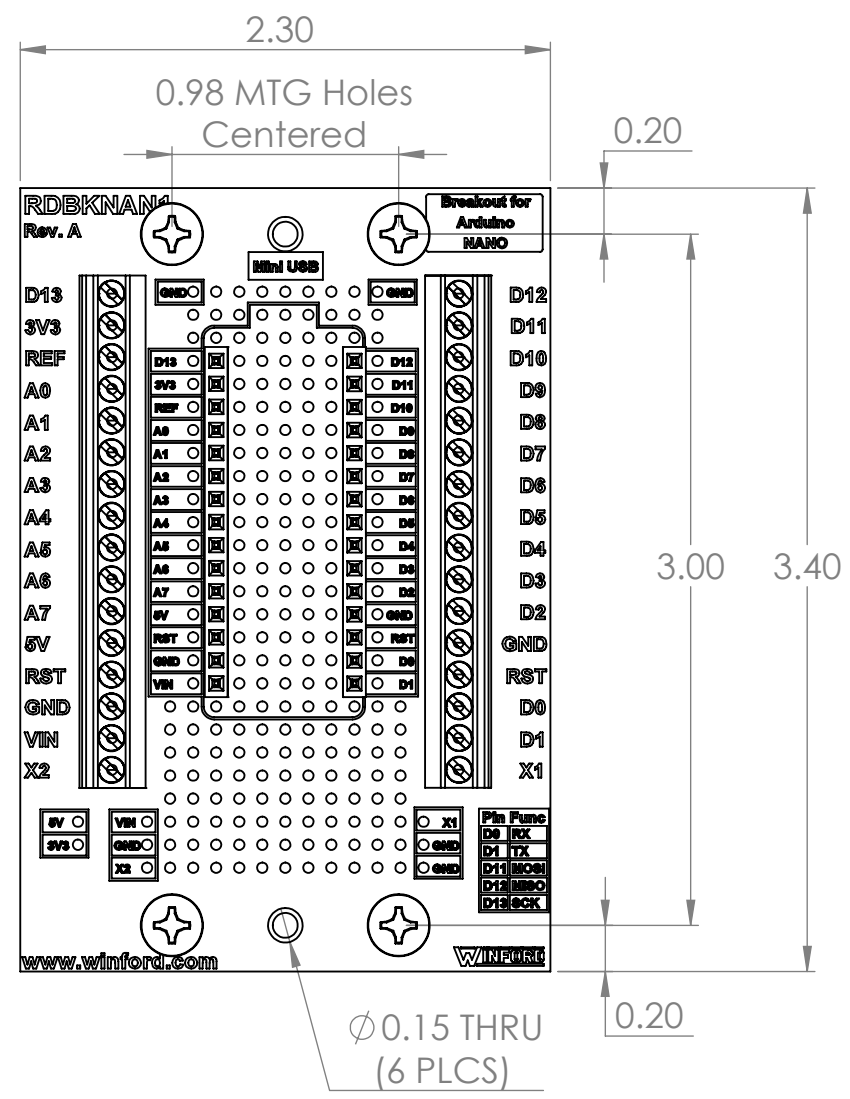
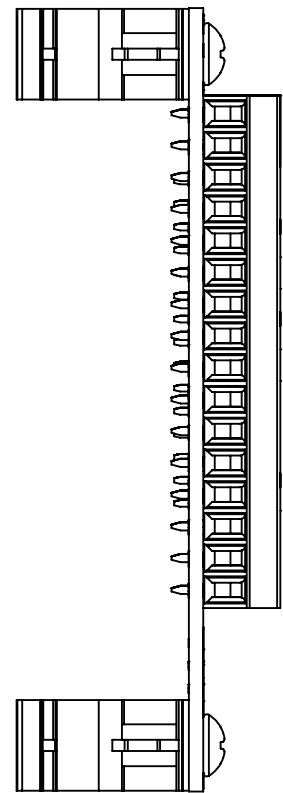
3

2

1

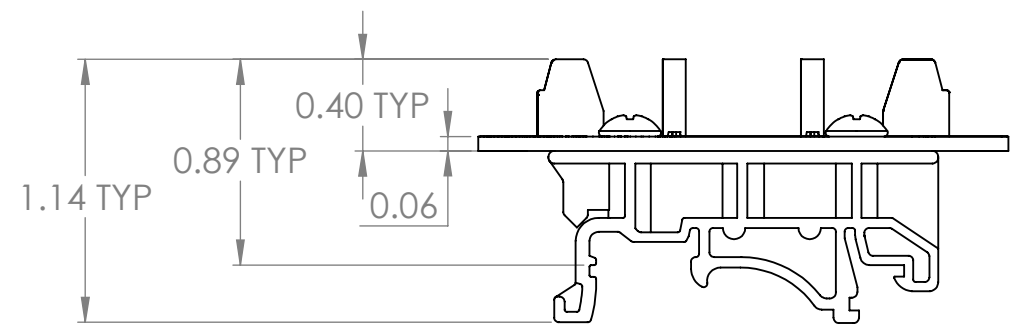
B


B



A

A



| | | | |
|--|------------------|---------------------|--|
| DIM: INCH | DATE: 08/17/2022 | RoHS COMPLIANT: Yes | DESCRIPTION: |
|  WINFORD ENGINEERING, LLC 4561 GARFIELD ROAD AUBURN, MI 48611 | | | Breakout for Arduino NANO |
| www.winford.com | | 989-671-9721 | PART NUMBER (S) RDBKNAN1-DIN |
| | | | PART REVISION A |

4

3

2

1