

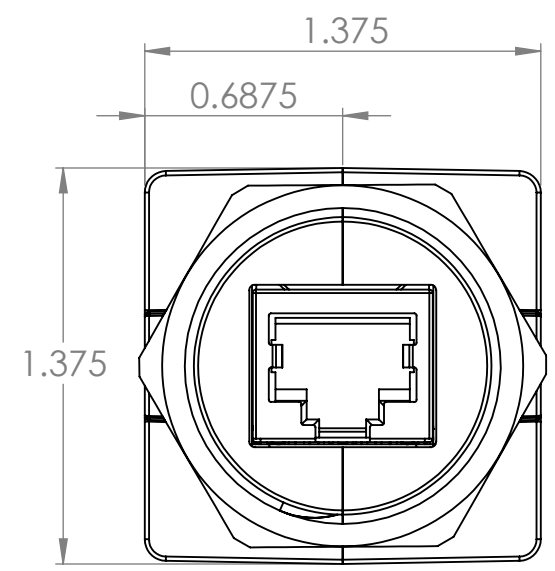
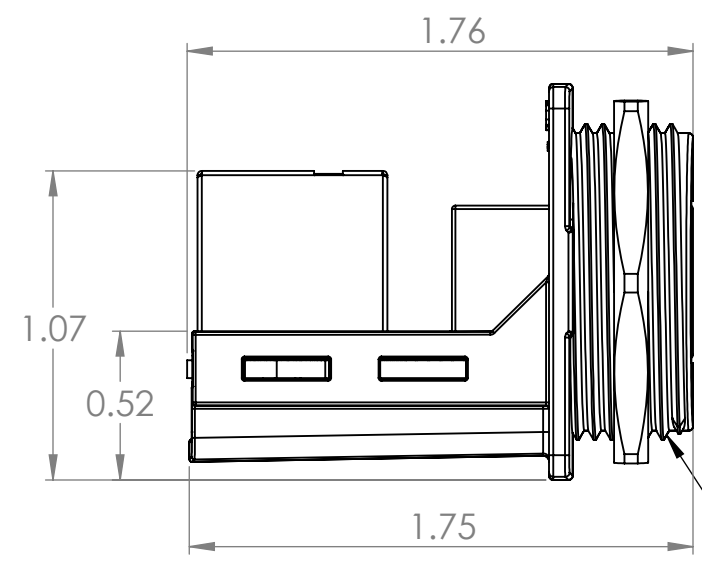
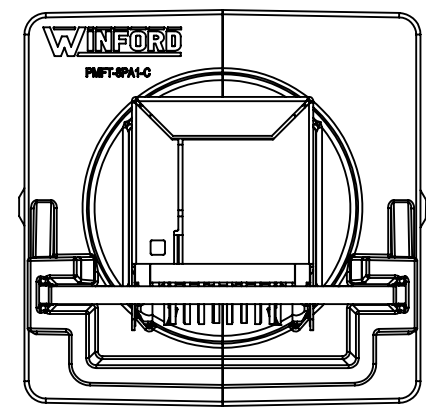
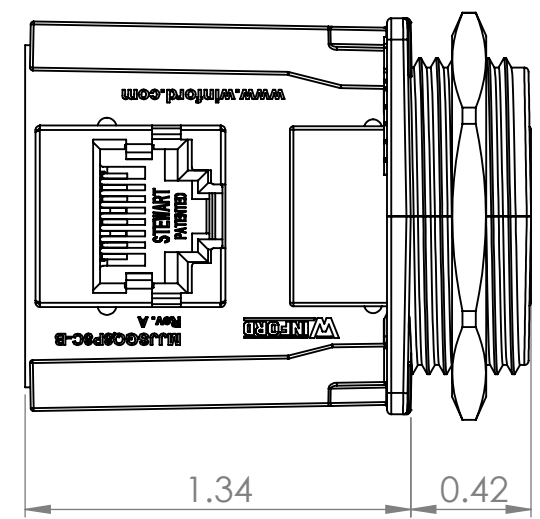
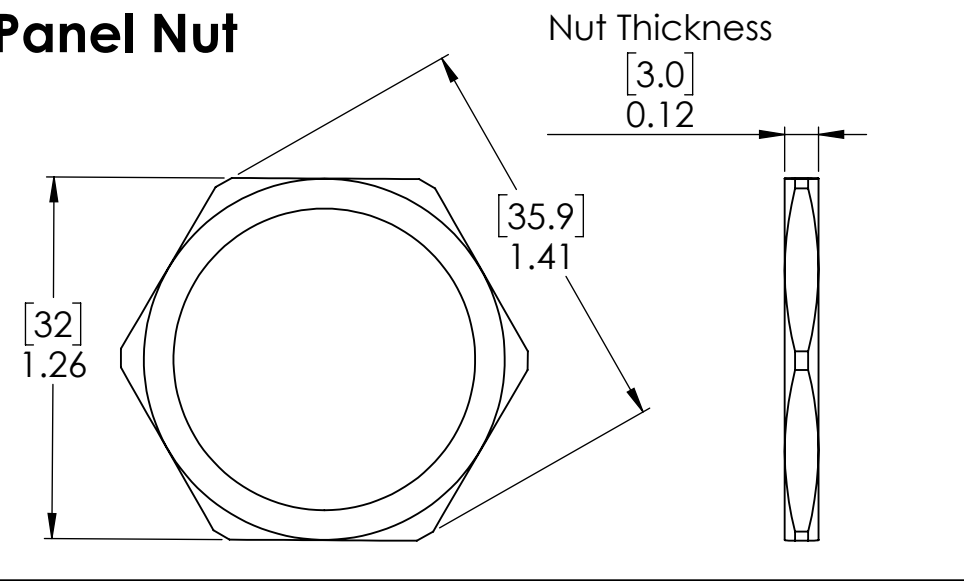
4

3

2

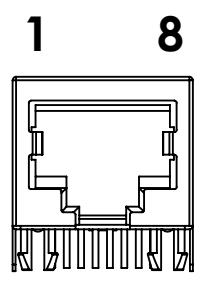
1

Panel Nut

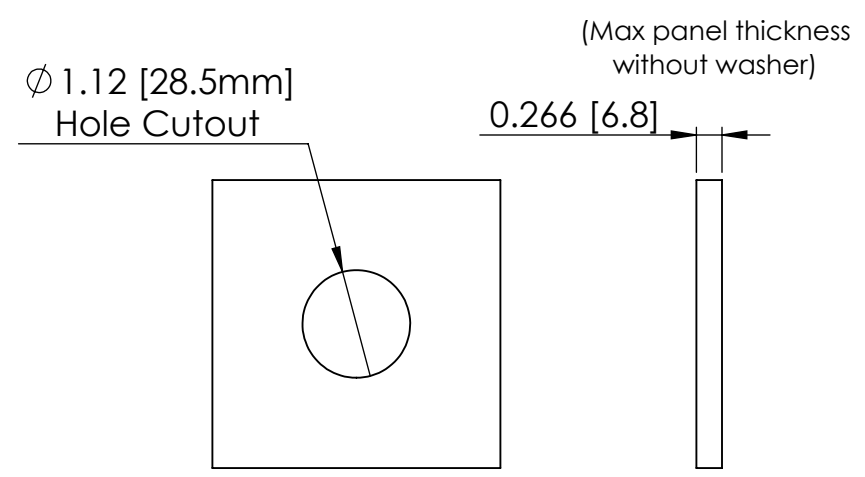


M28x1.5 Thread


Connector Pinout



Recommended Panel Cutout



Washer not included, but available as part number: SWF-M28-B-BULK

| | | | |
|--|------------------|---------------------|---|
| DIM: INCH | DATE: 10/23/2023 | RoHS COMPLIANT: Yes | DESCRIPTION: RJ45 8P8C Coupler, Flange Panel Mount |
|  WINFORD ENGINEERING, LLC 4561 GARFIELD ROAD AUBURN, MI 48611 | | | PART NUMBER (S) MJSSGQ8P8C-B-U |
| www.winford.com | | 989-671-9721 | PART REVISION A |

4

3

2

1

B

B

A

A