

4

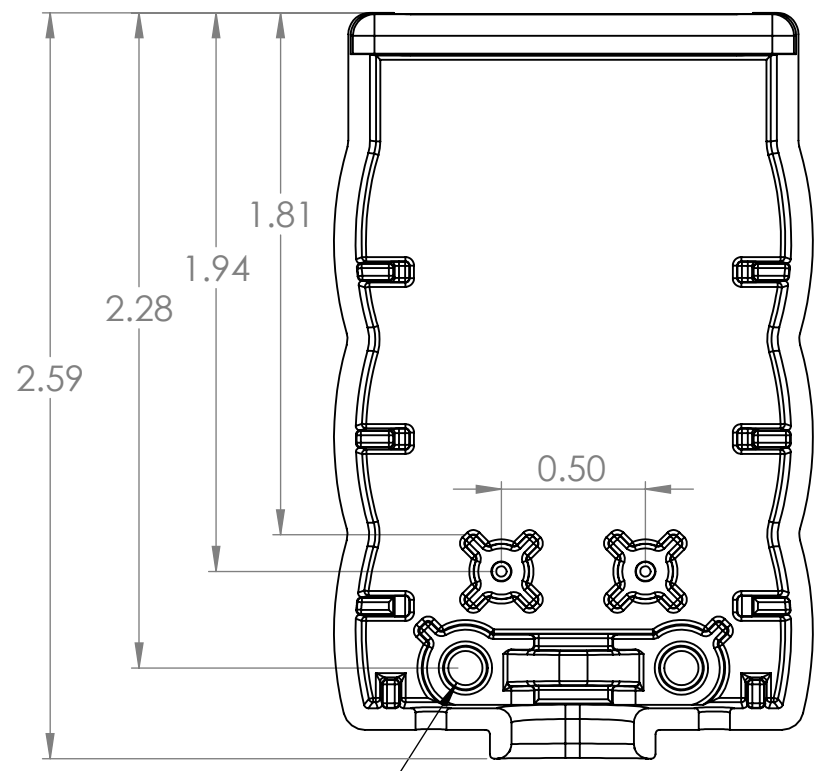
3

2

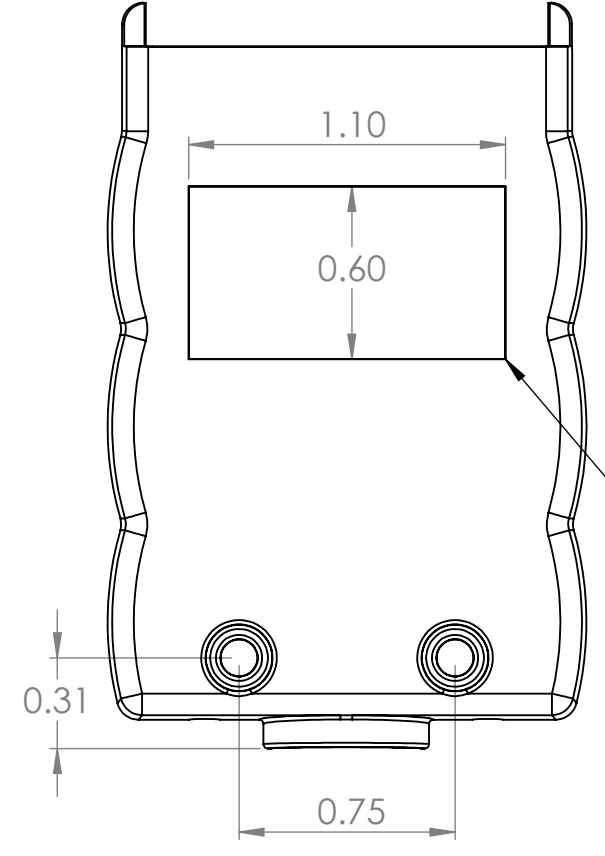
1

Note: See also "Recommended PCB Drawing to fit ECB9B1 Enclosure"

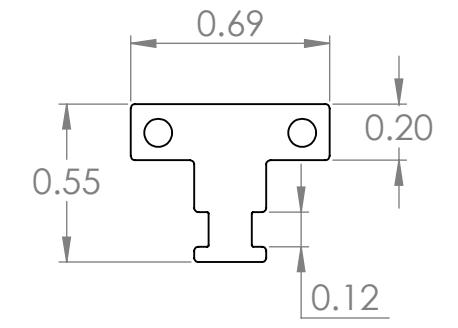
Base



Cover



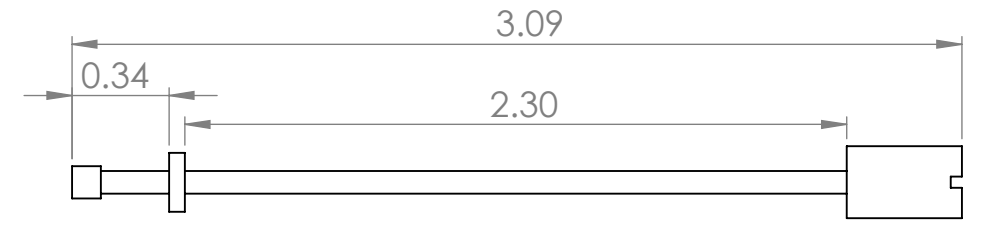
T-Clip



Same Dimensions On Top and Bottom

#4-40 Pan-Head, 5/8" For Case Enclosure (Qty:2)	
#2-28 Pan Head, 1/4" For Board Mount, T-Clip (Qty:2)	
0.1" Zip Tie, 4" For Wire Strain Relief (Qty:1)	

#4-40 Thumbscrew, 3.09" (Qty: 2)

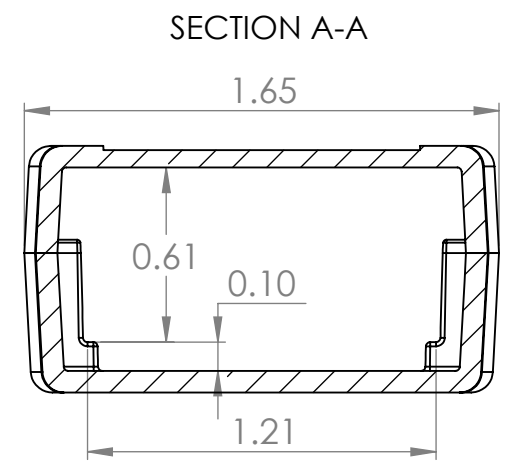
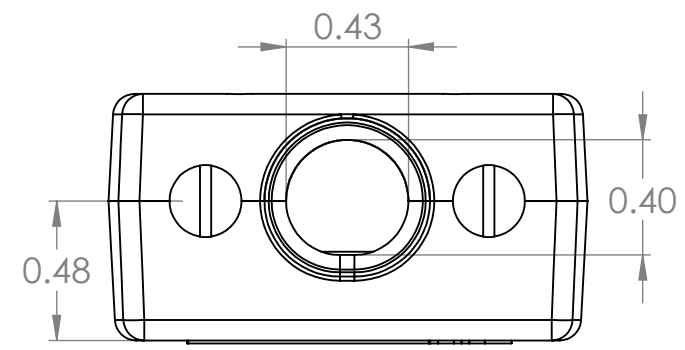
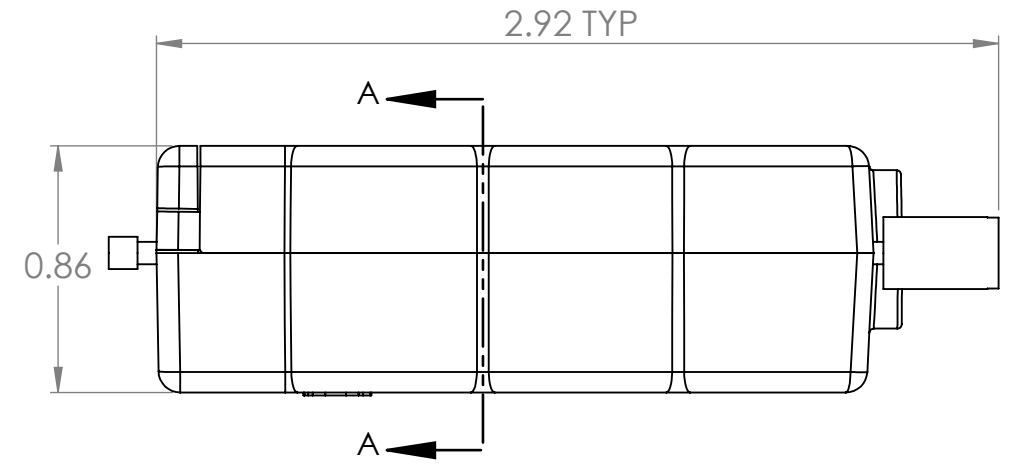
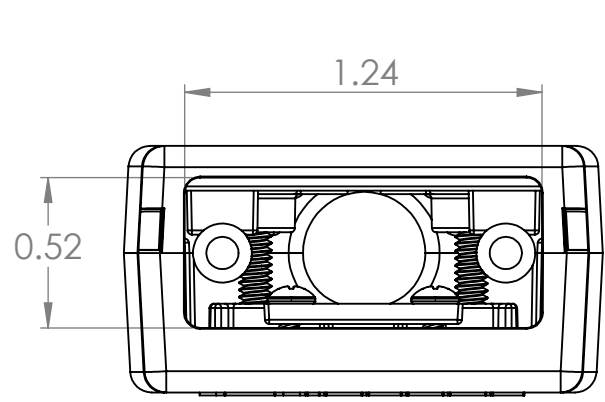


B

B

A

A



DIM: INCH	DATE: 11/14/2022	RoHS COMPLIANT: Yes	DESCRIPTION:
			DB15HD PCB Enclosure Kit
www.winford.com		WINFORD ENGINEERING, LLC 4561 GARFIELD ROAD AUBURN, MI 48611 989-671-9721	PART NUMBER (S) ECB9B1-T
			PART REVISION A

4

3

2

1