

Note: See also "Recommended PCB Drawing to fit ECB15B1 Enclosure"

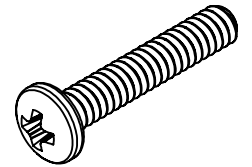
Base

Same Dimensions
On Top and Bottom

Top

T-Clip

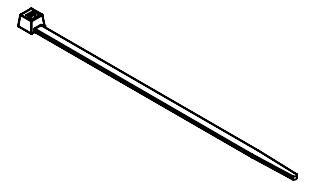
#4-40 Pan-Head, 5/8"
For Case Enclosure
(Qty:2)



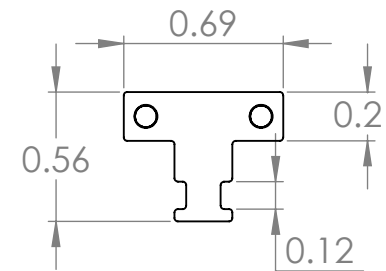
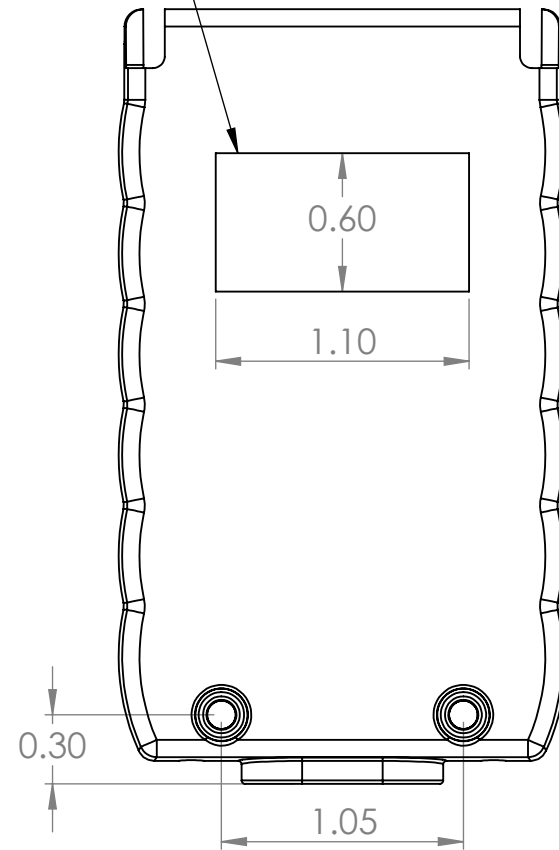
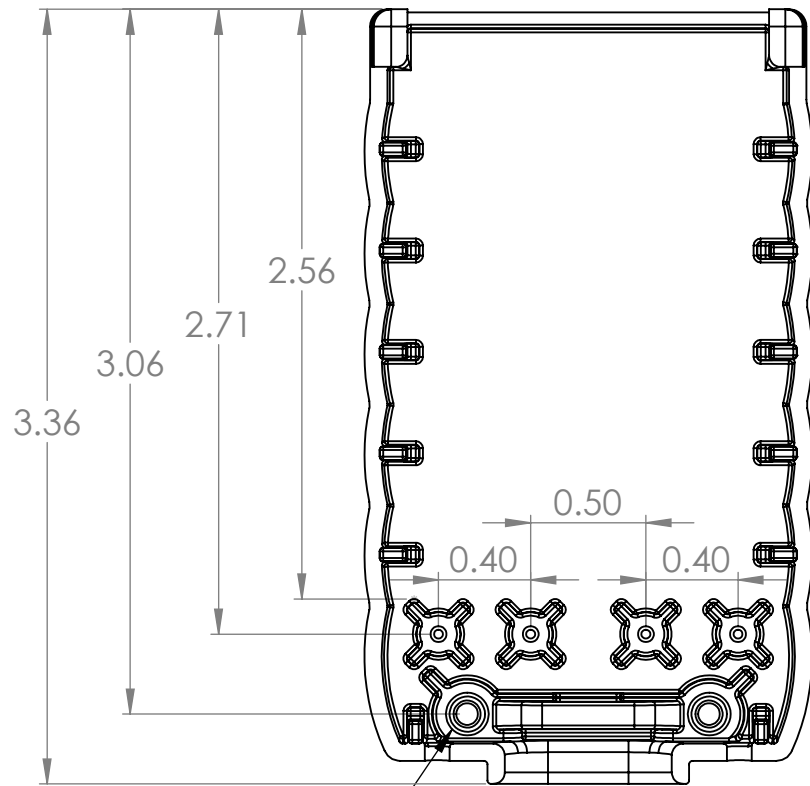
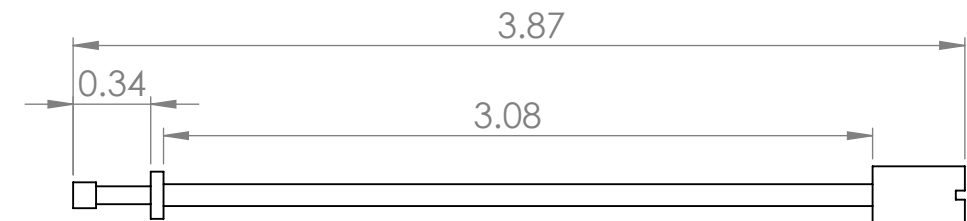
#2-28 Pan Head, 1/4"
For Board Mount, T-Clip
(Qty:2)



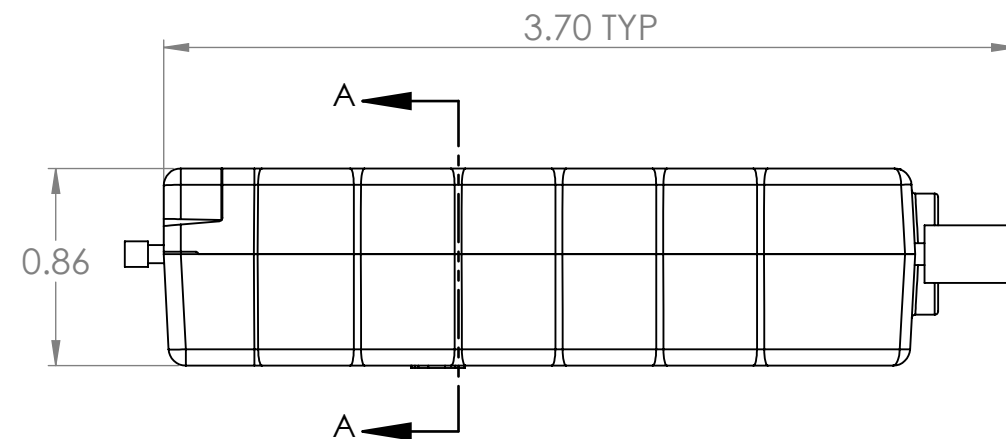
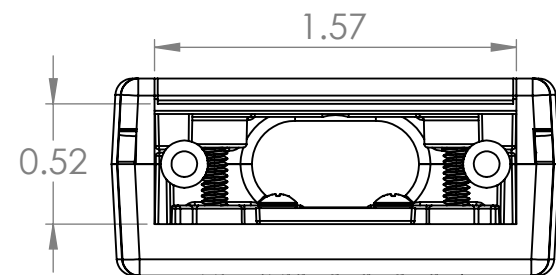
0.1" Zip Tie, 4"
For Wire Strain Relief
(Qty:1)



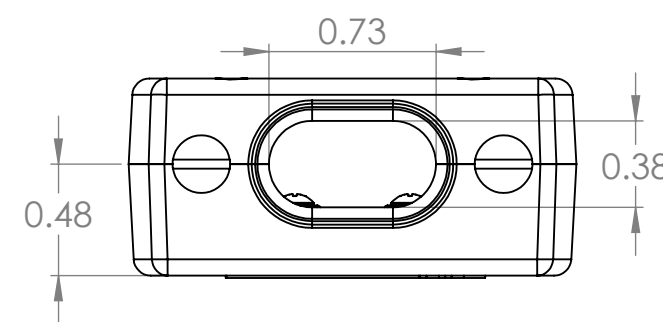
#4-40 Thumbscrew, 3.87"
(Qty: 2)



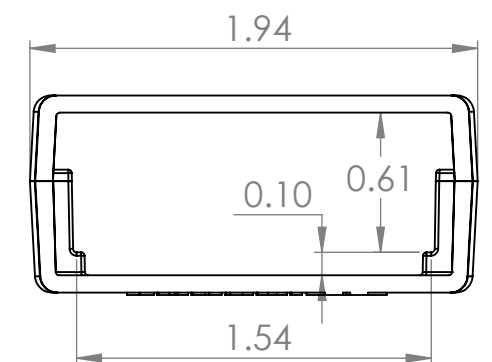
Front Assembly



Back Assembly



Section A-A



DIM: INCH

DATE: 02/18/2022

RoHS COMPLIANT: Yes

DESCRIPTION:



WINFORD ENGINEERING, LLC
4561 GARFIELD ROAD
AUBURN, MI 48611

DB26HD PCB Enclosure Kit

www.winford.com

989-671-9721

PART NUMBER (S)

ECB15B1-T

PART REVISION

A