

Note: See also "Recommended PCB Drawing to fit ECB15B1 Enclosure"

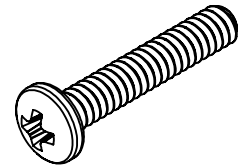
Base

Same Dimensions
On Top and Bottom

Top

T-Clip

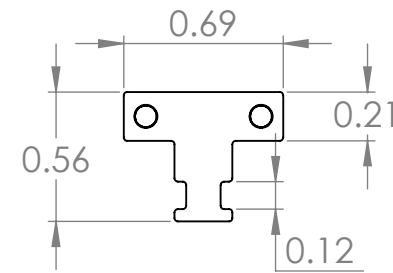
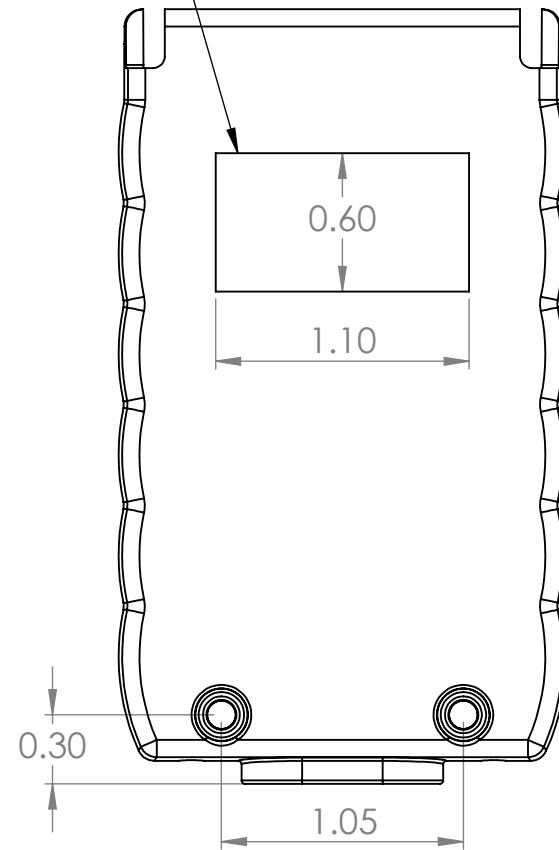
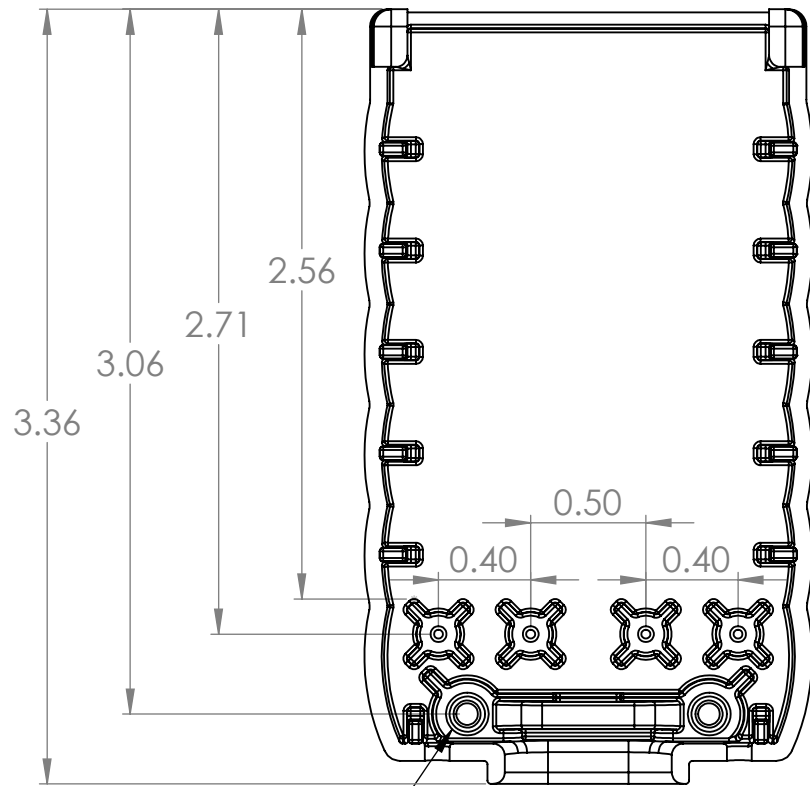
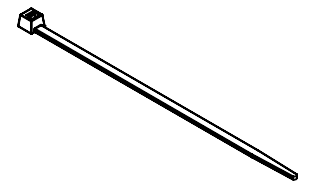
#4-40 Pan-Head, 5/8"
For Case Enclosure
(Qty:2)



#2-28 Pan Head, 1/4"
For Board Mount, T-Clip
(Qty:2)

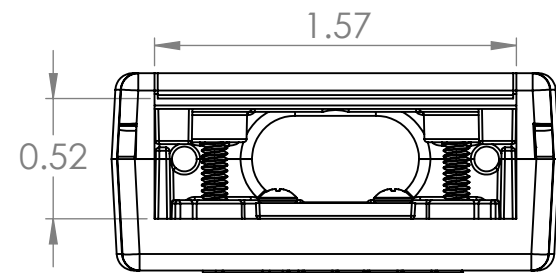


0.1" Zip Tie, 4"
For Wire Strain Relief
(Qty:1)

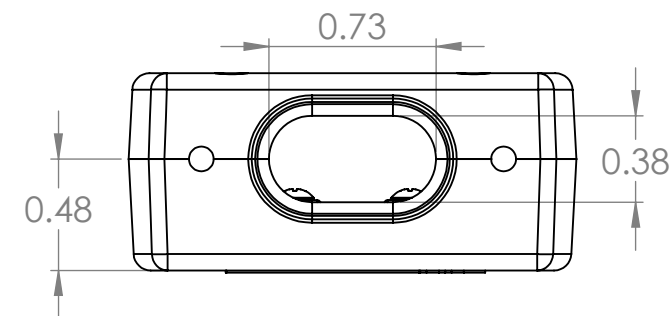


#4-40 Threaded
Insert Molded in
(2 PLCS)

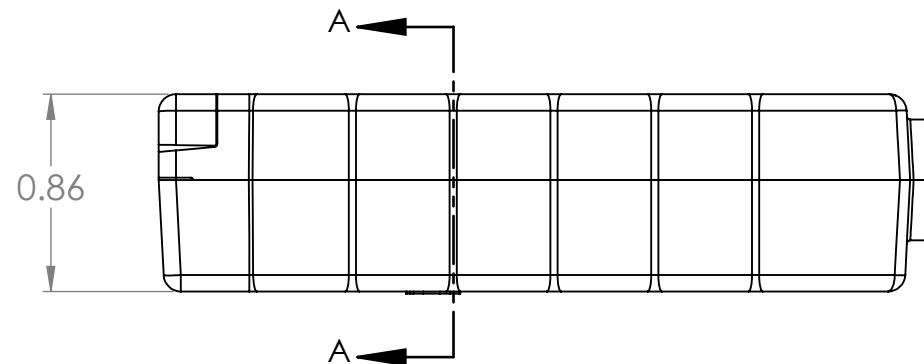
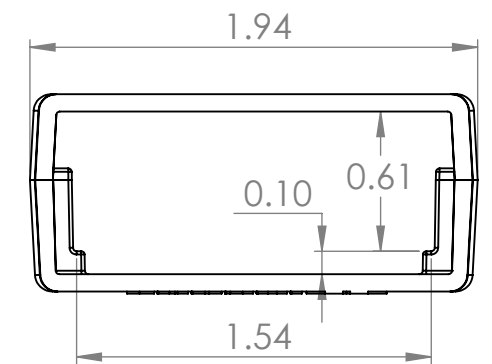
Front Assembly




Back Assembly



Section A-A



DIM: INCH	DATE: 02/18/2022	RoHS COMPLIANT: Yes	DESCRIPTION:
 WINFORD ENGINEERING, LLC 4561 GARFIELD ROAD AUBURN, MI 48611			DB26HD PCB Enclosure Kit
			PART NUMBER (S)
www.winford.com	989-671-9721	ECB15B1-N	A