

4

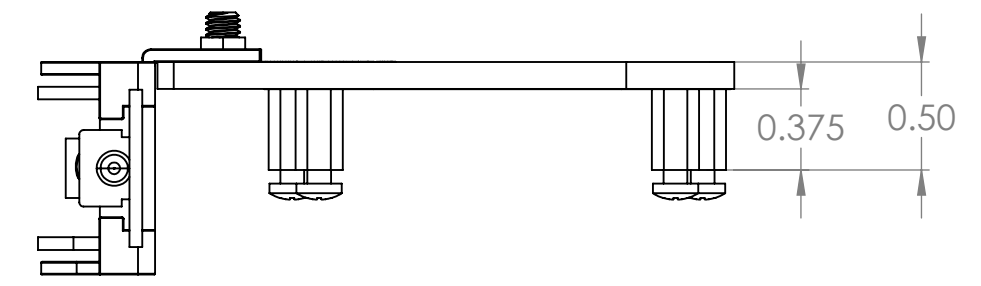
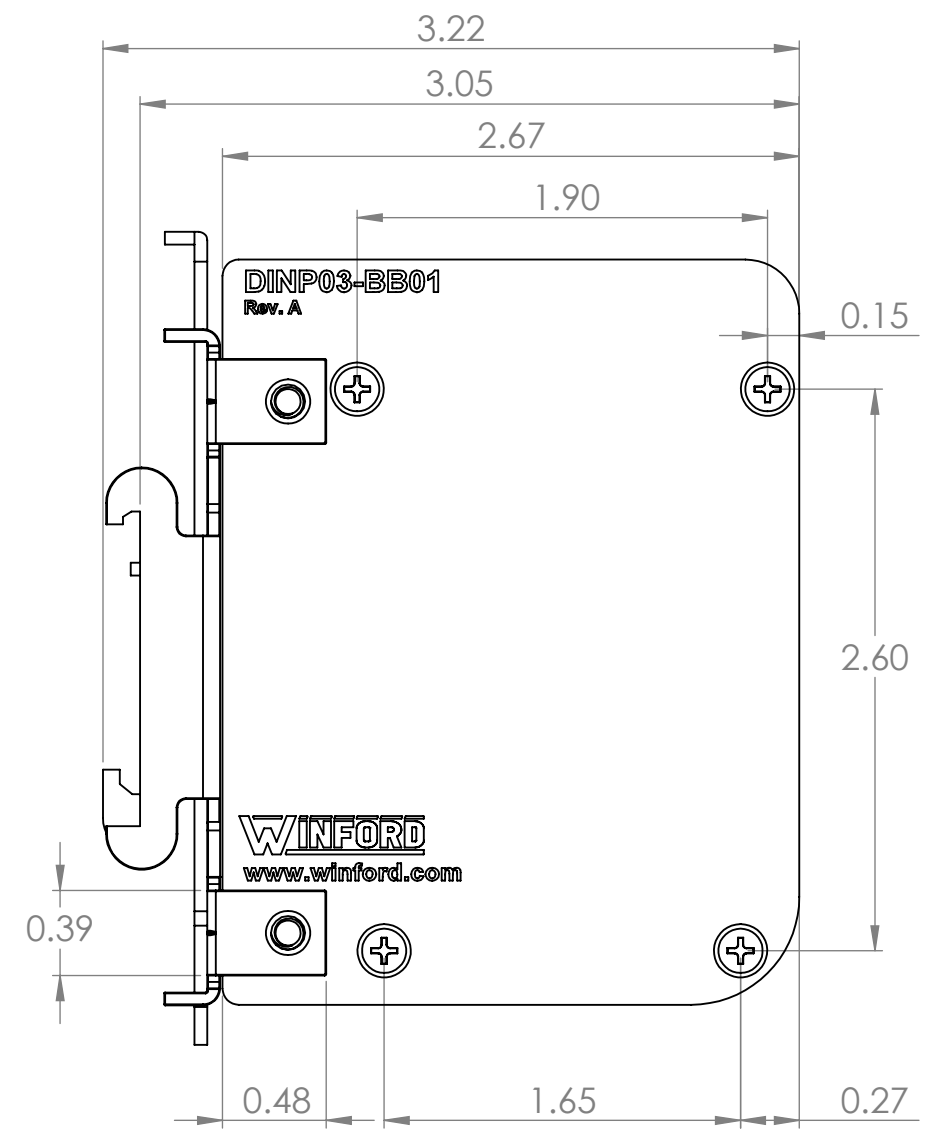
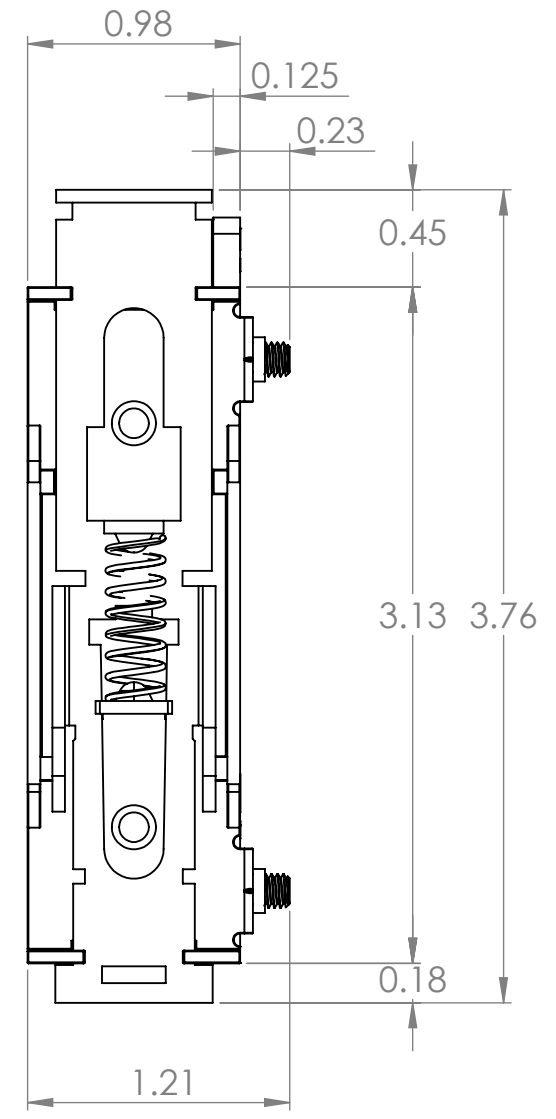
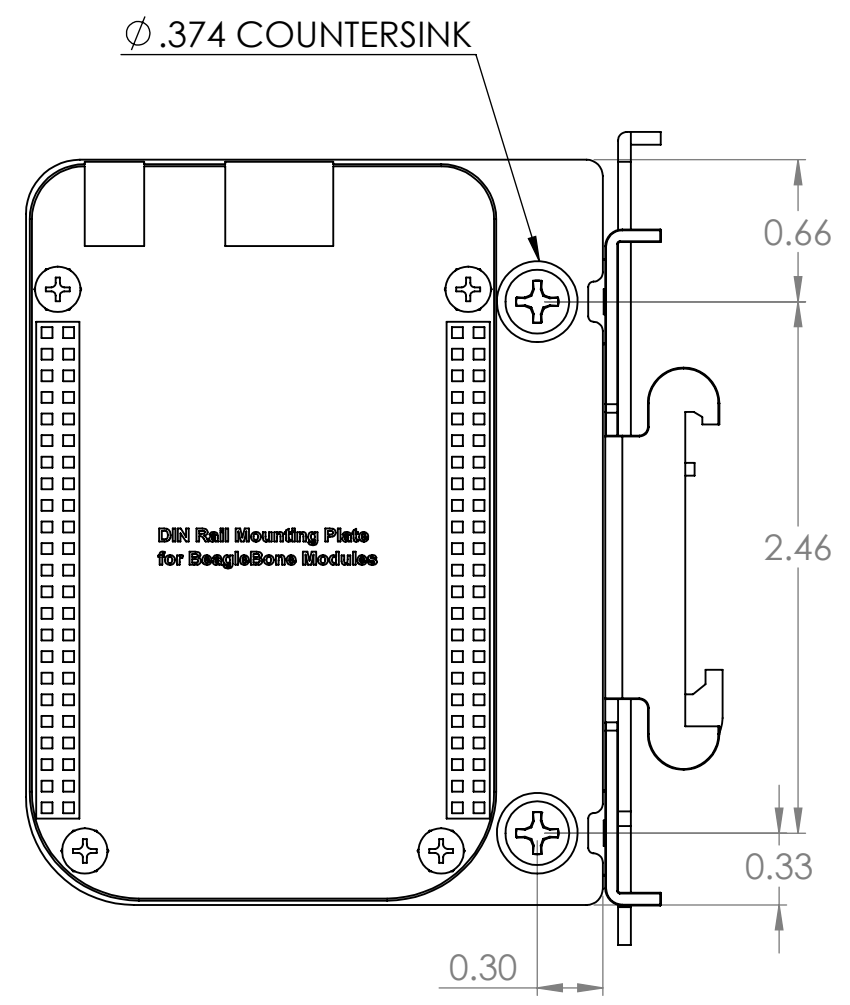
3

2

1


B

B



**Board Mounting Hardware, Included Unassembled
(Shown assembled on drawing)**

QTY	Part
4	Nylon Standoffs, 0.375"
4	#4-40 Flat-Head Screws, 0.25"
4	#4-40 Pan-Head Screws, 0.25"

DIM: INCH	DATE: 06/15/2021	RoHS COMPLIANT: Yes	DESCRIPTION:
 WINFORD ENGINEERING, LLC 4561 GARFIELD ROAD AUBURN, MI 48611 www.winford.com			DIN Rail Mounting Plate for BeagleBone
			PART NUMBER (S)
			DINP03-BB01
			A

4

3

2

1

A