

4

3

2

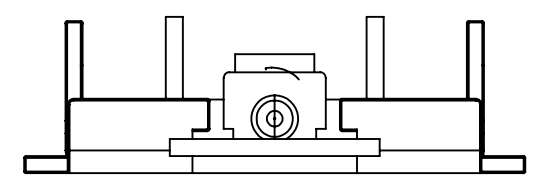
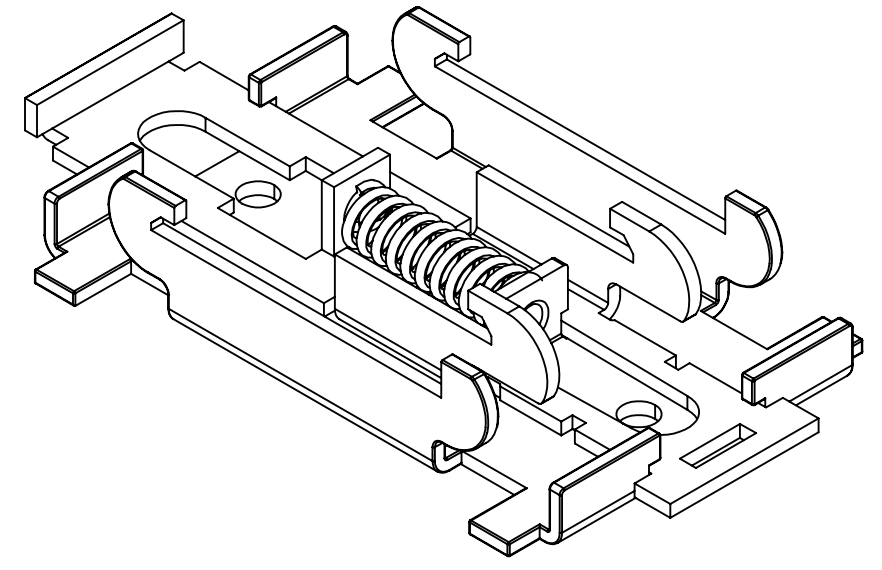
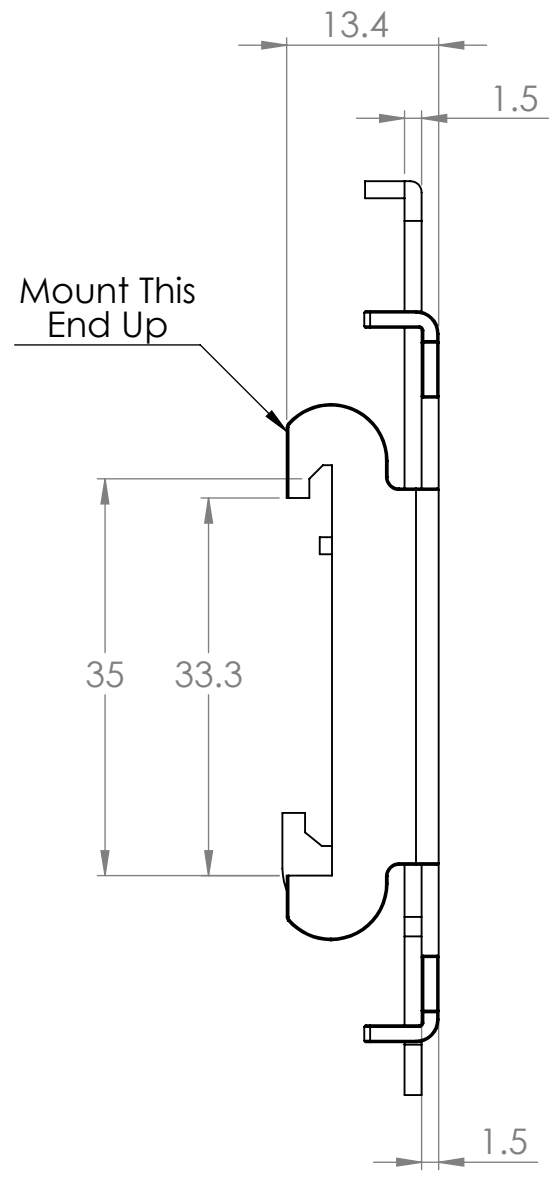
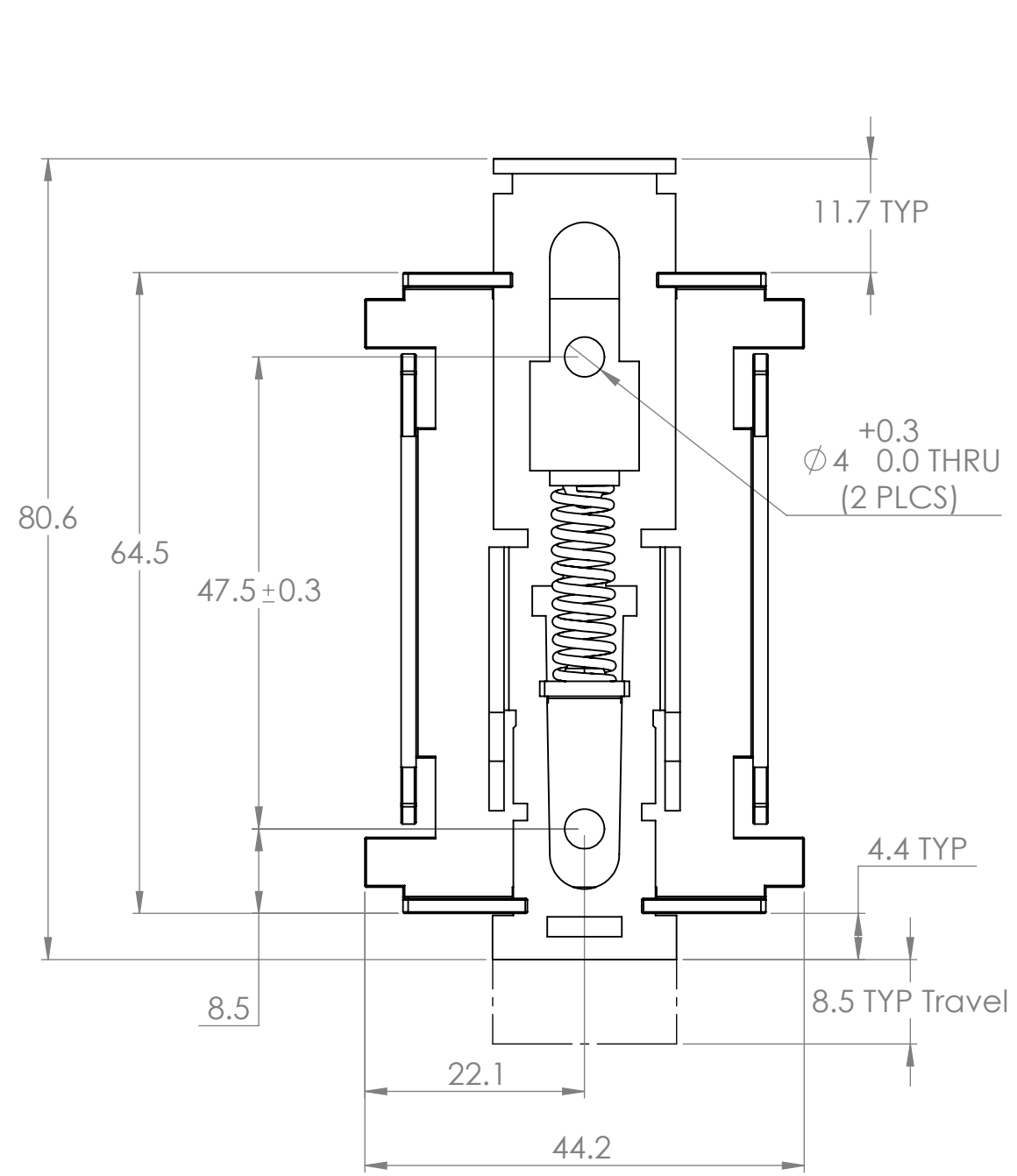
1

B


B

A

A



Material: Steel, Nickel Plated

DIM: MM	DATE: 07/18/2022	RoHS COMPLIANT: Yes	DESCRIPTION: Steel DIN Rail Mounting Clip, 44.2mm Width, Through Holes	
		WINFORD ENGINEERING, LLC 4561 GARFIELD ROAD AUBURN, MI 48611	PART NUMBER (S) DINM20	PART REVISION A
www.winford.com		989-671-9721		

4

3

2

1