

4

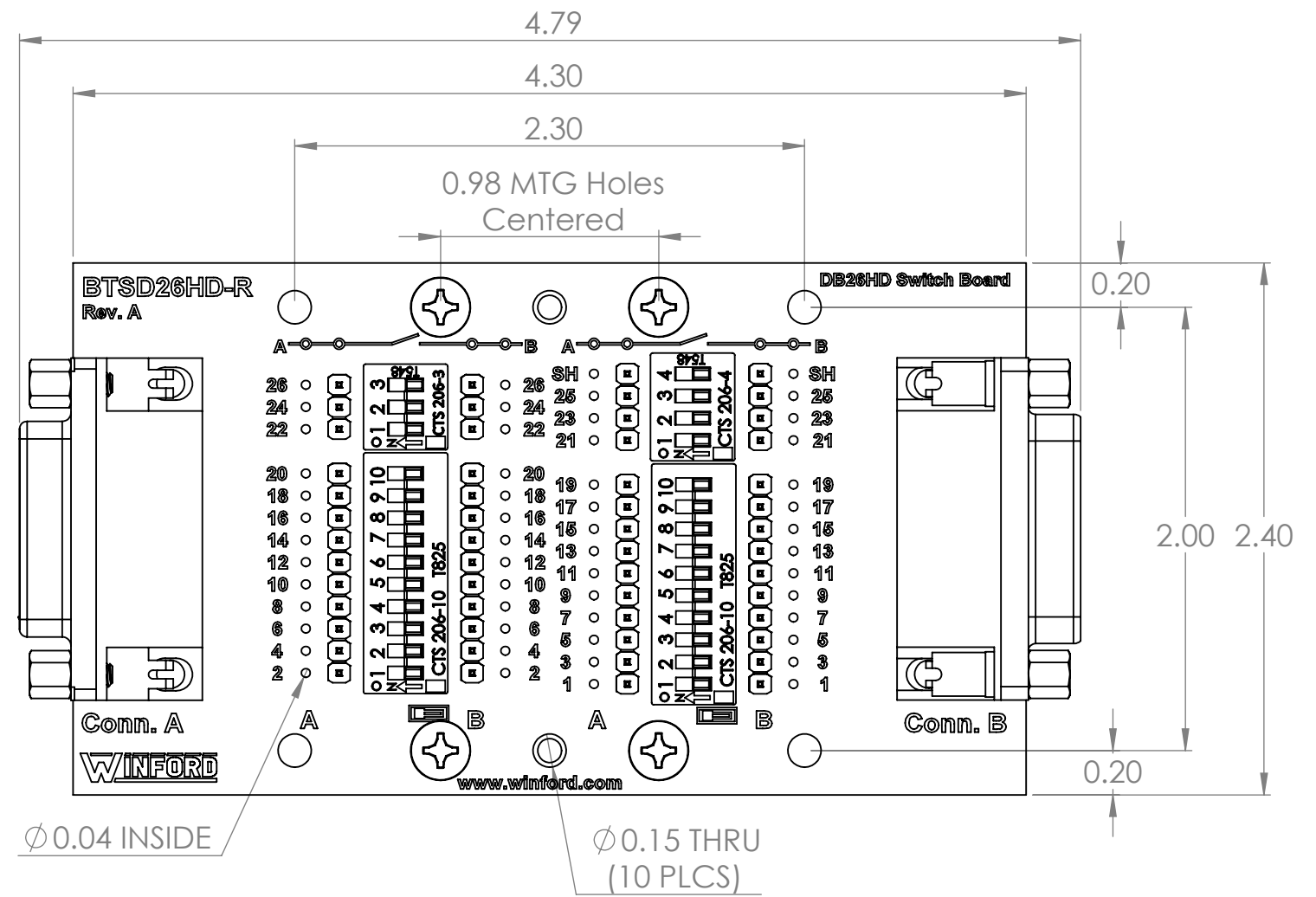
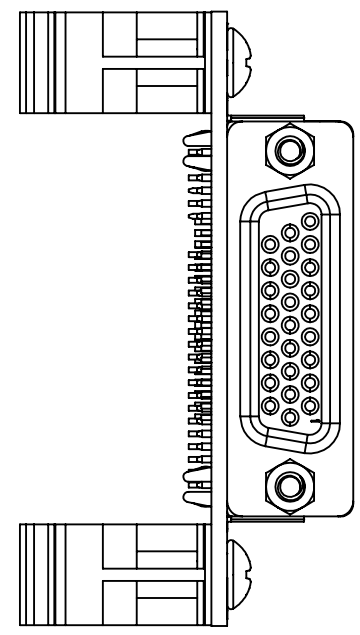
3

2

1

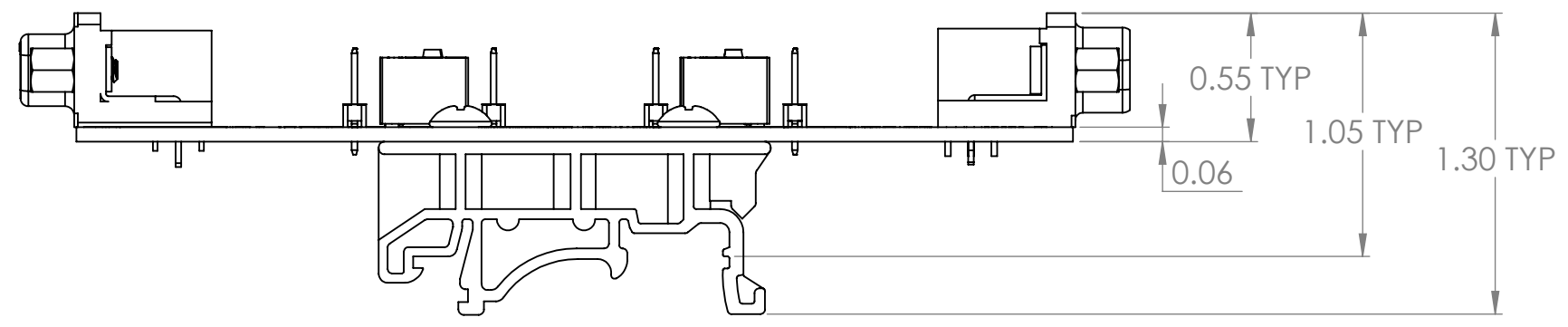
B

B

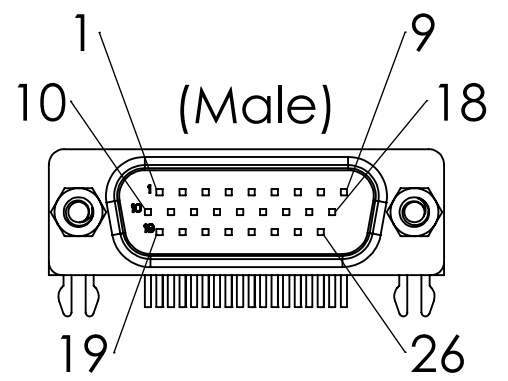
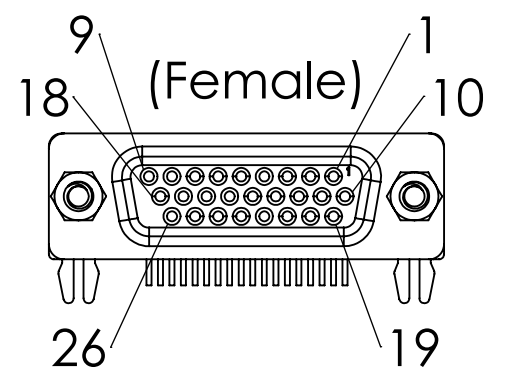


Ø0.04 INSIDE

Ø0.15 THRU (10 PLCS)



Connector Pinout



4


3

2

1

A

A

DIM: INCH	DATE: 11/29/2021	RoHS COMPLIANT: Yes	DESCRIPTION: DB26HD Diagnostic Breakout Switch Board
 WINFORD ENGINEERING, LLC 4561 GARFIELD ROAD AUBURN, MI 48611			PART NUMBER (S) BTSD26HD-R-DIN
www.winford.com		989-671-9721	PART REVISION A