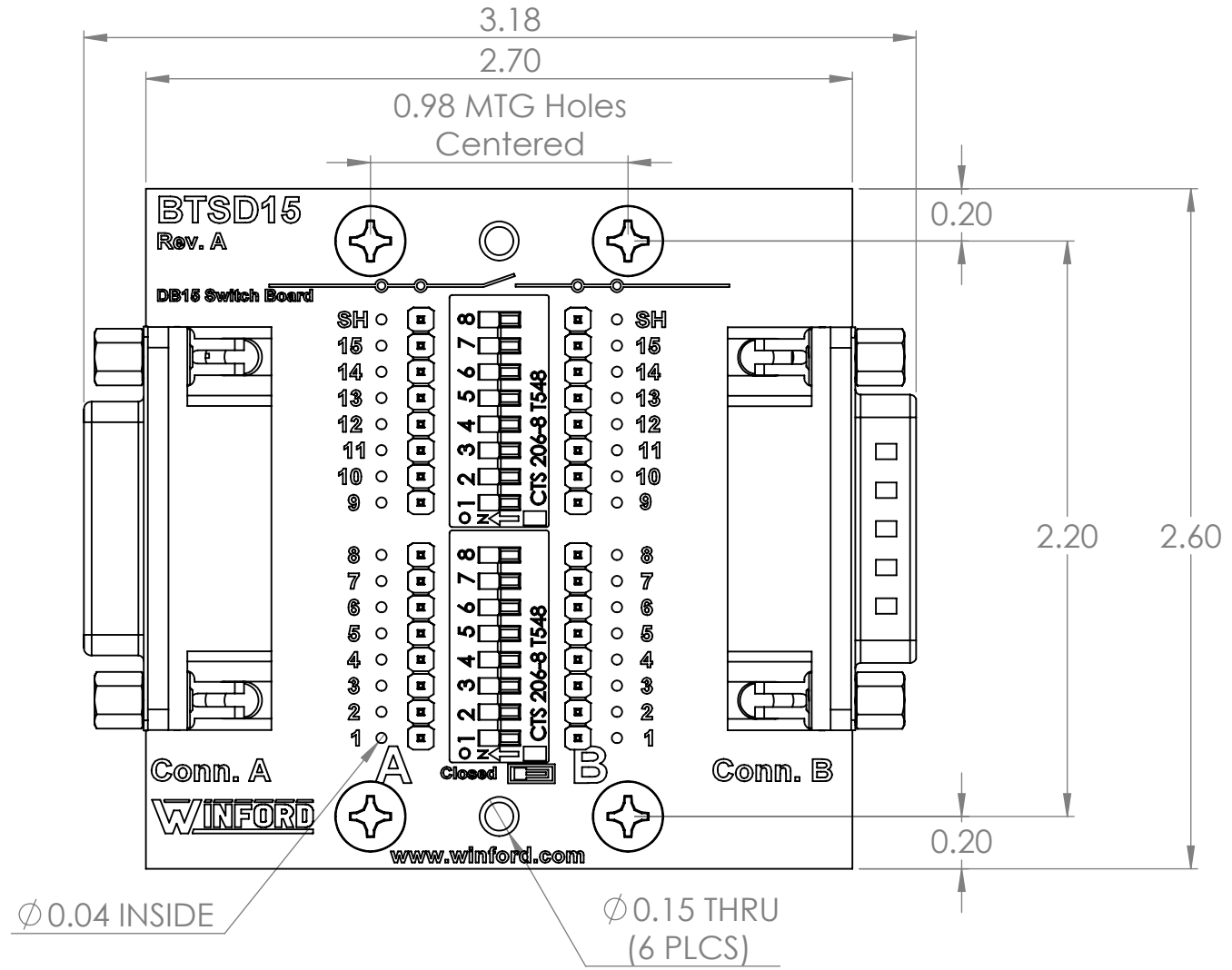
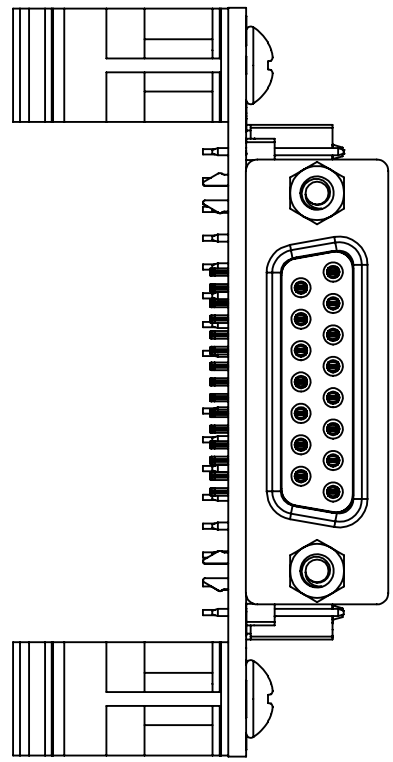


4

3

2

1

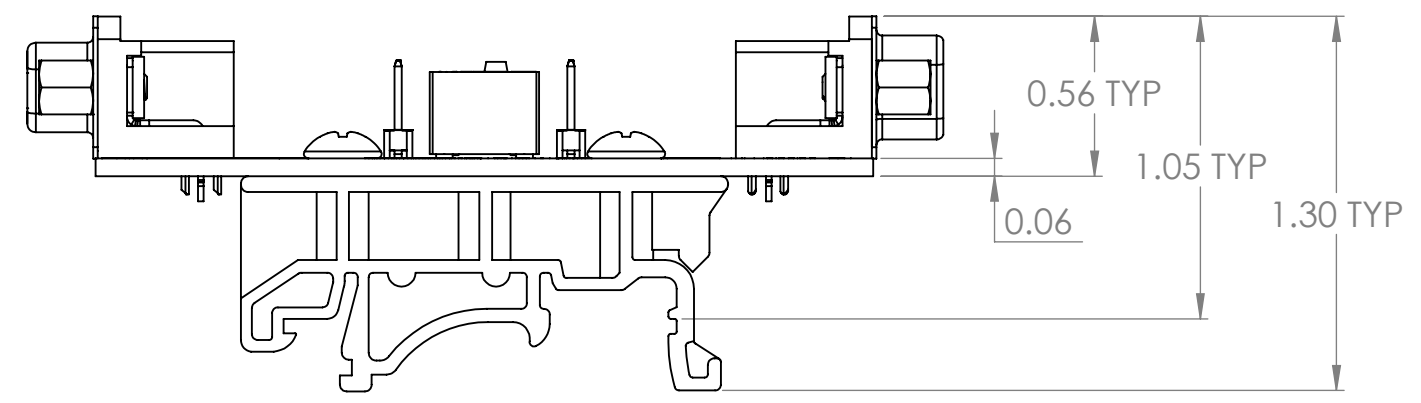


B

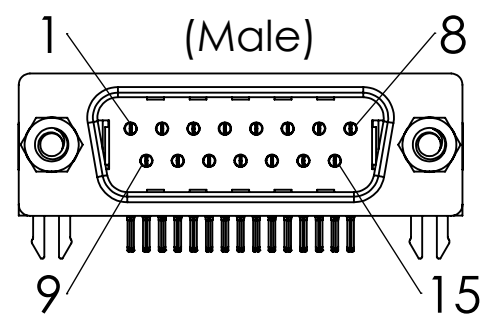
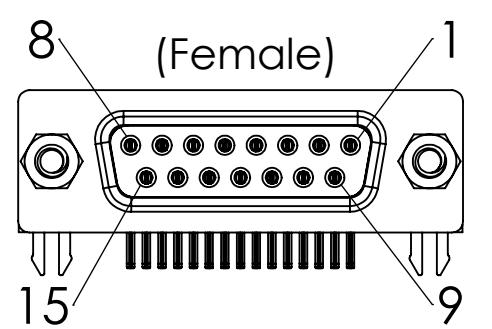
B

A

A



Connector Pinout



4

3

2

1

| | | | |
|--|------------------|---------------------|---------------------------------------|
| DIM: INCH | DATE: 11/17/2021 | RoHS COMPLIANT: Yes | DESCRIPTION: |
| | | | DB15 Diagnostic Breakout Switch Board |
| WINFORD ENGINEERING, LLC 4561 GARFIELD ROAD AUBURN, MI 48611 | | | PART NUMBER (S) |
| www.winford.com | | | 989-671-9721 |
| | | | PART REVISION |
| BTSD15-R-DIN | | | A |