

4

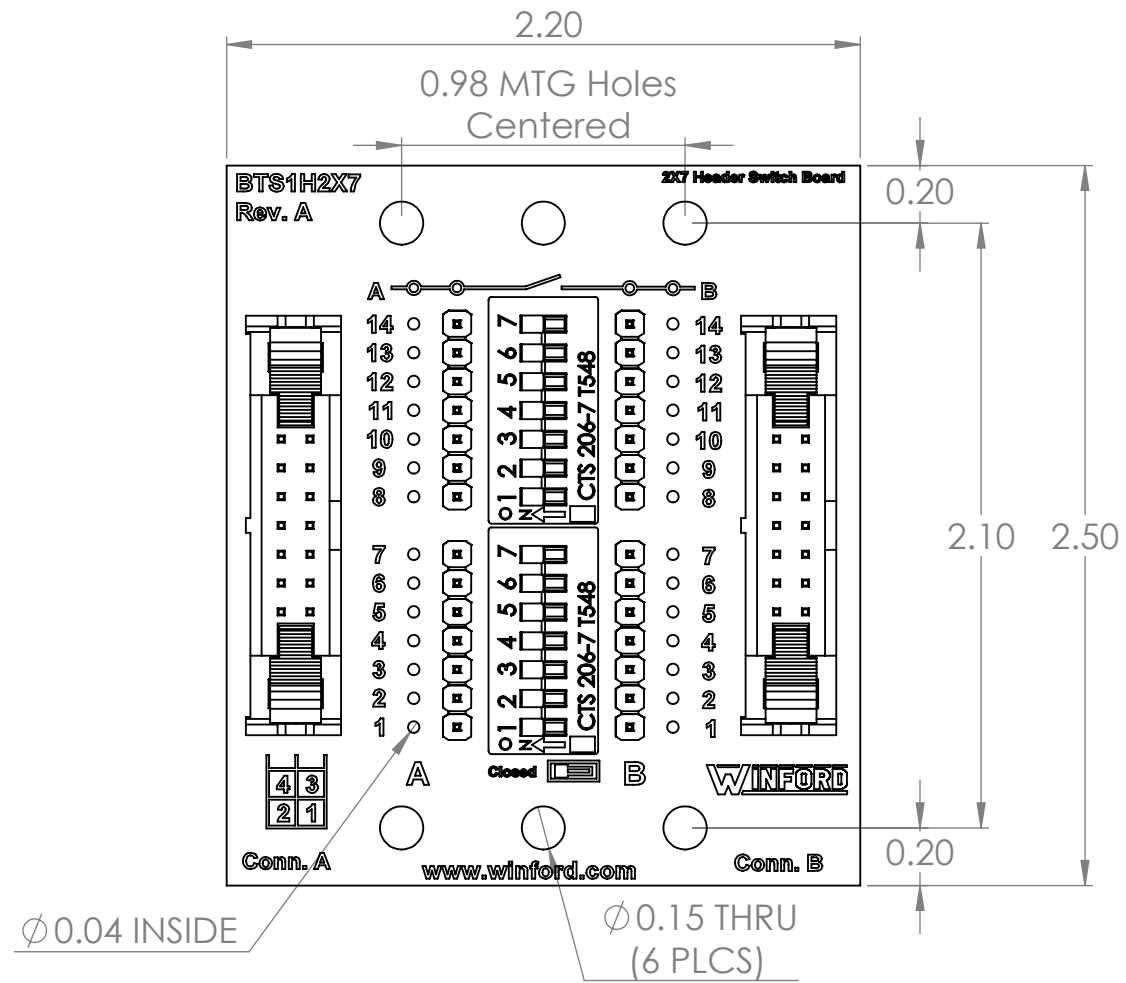
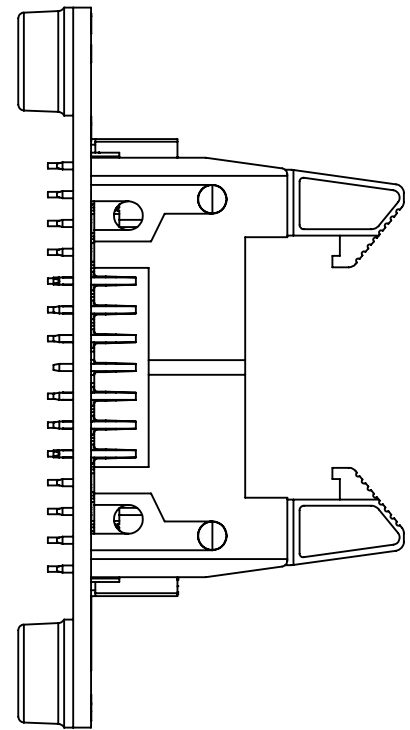
3

2

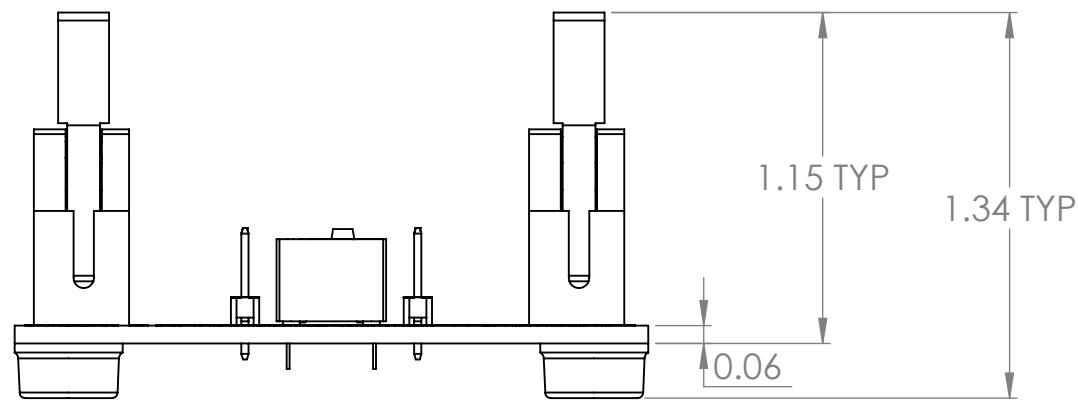
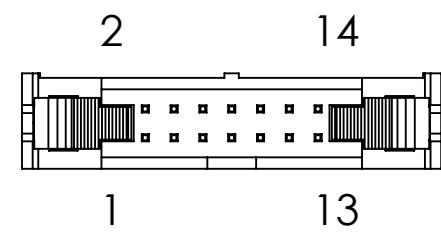
1


B

B



Connector Pinout



DIM: INCH	DATE: 1/06/2022	RoHS COMPLIANT: Yes	DESCRIPTION: 2x7 0.1" Header Diagnostic Breakout Board	
		WINFORD ENGINEERING, LLC 4561 GARFIELD ROAD AUBURN, MI 48611	PART NUMBER (S) BTS1H2X7-FT	PART REVISION A
www.winford.com		989-671-9721		

4

3

2

1

A

A