

4

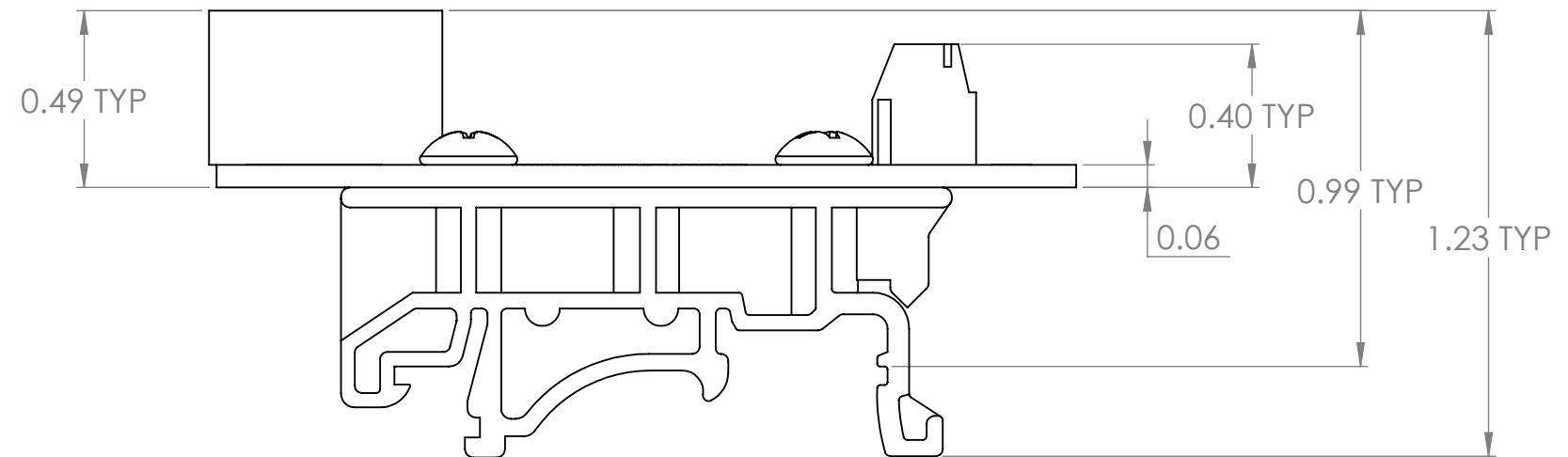
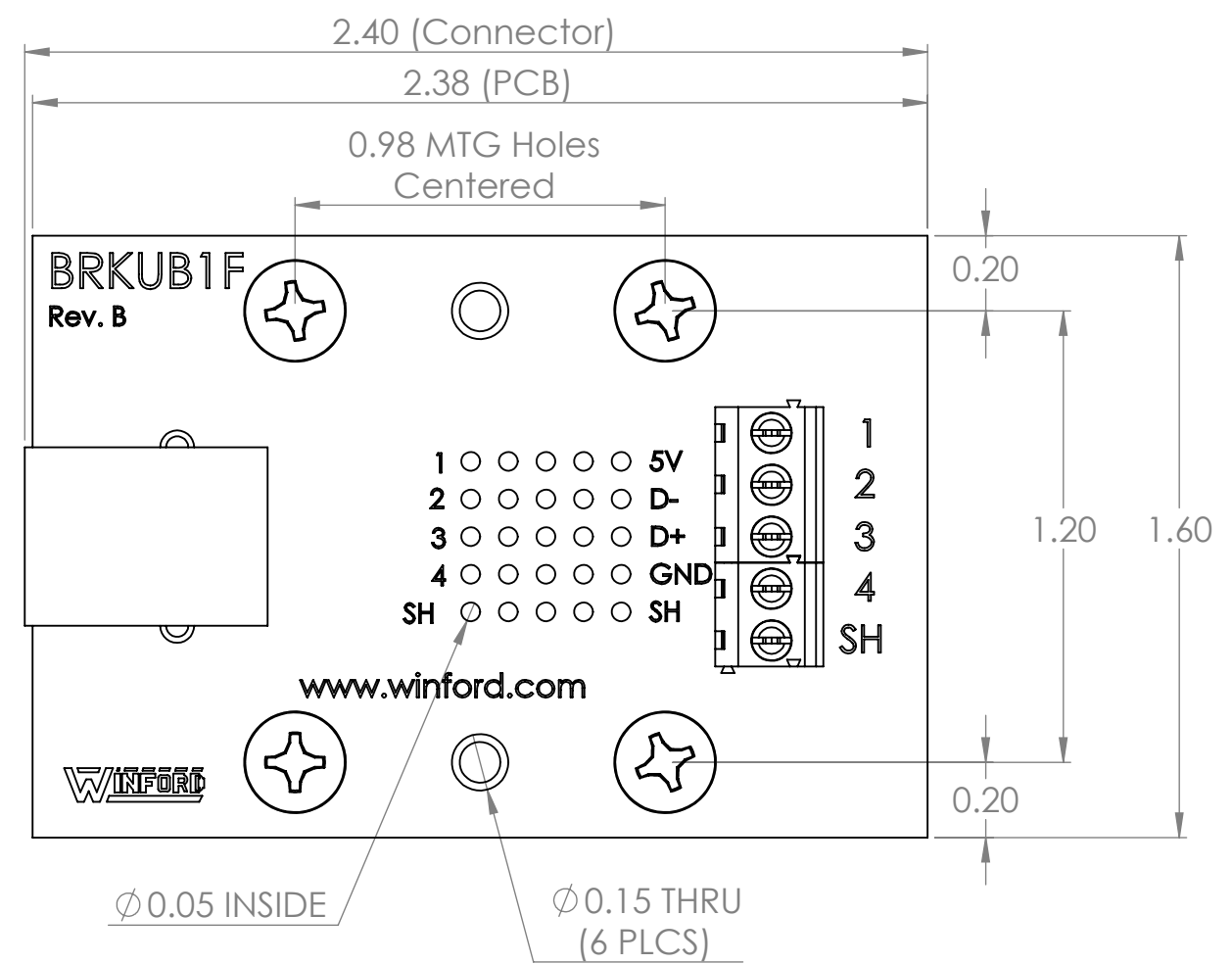
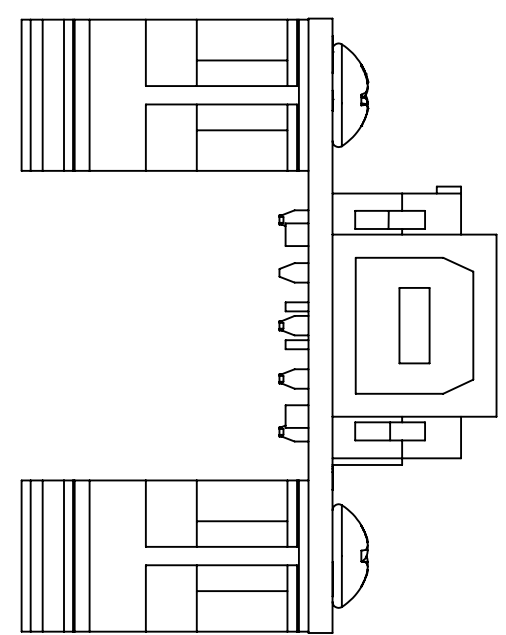
3

2

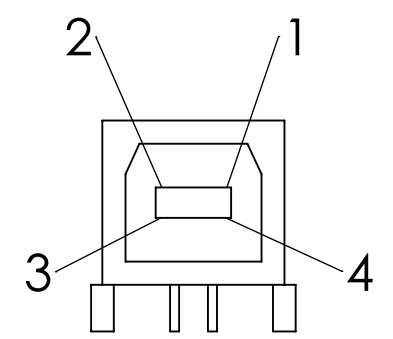
1

B

B



Connector Pinout



4


3

2

1

A

A

DIM: INCH	DATE: 09/28/2021	RoHS COMPLIANT: Yes	DESCRIPTION:
 WINFORD ENGINEERING, LLC 4561 GARFIELD ROAD AUBURN, MI 48611			USB B Female Breakout Board
www.winford.com		989-671-9721	PART NUMBER (S) BRKUB1F-R-DIN
			PART REVISION B