

4

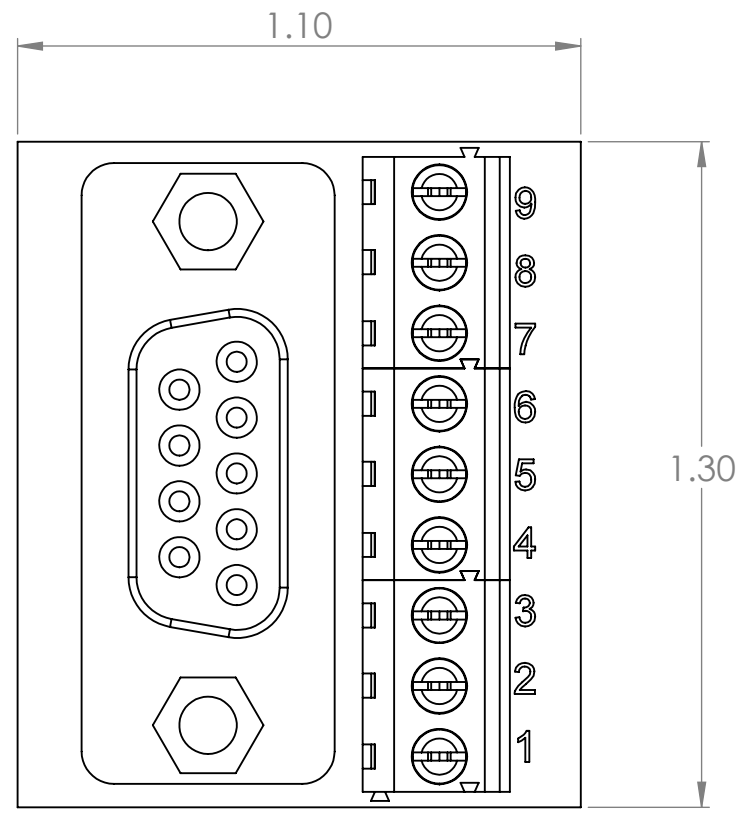
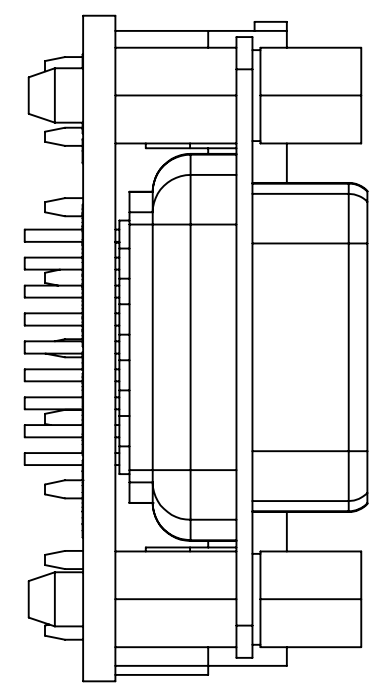
3

2

1

B

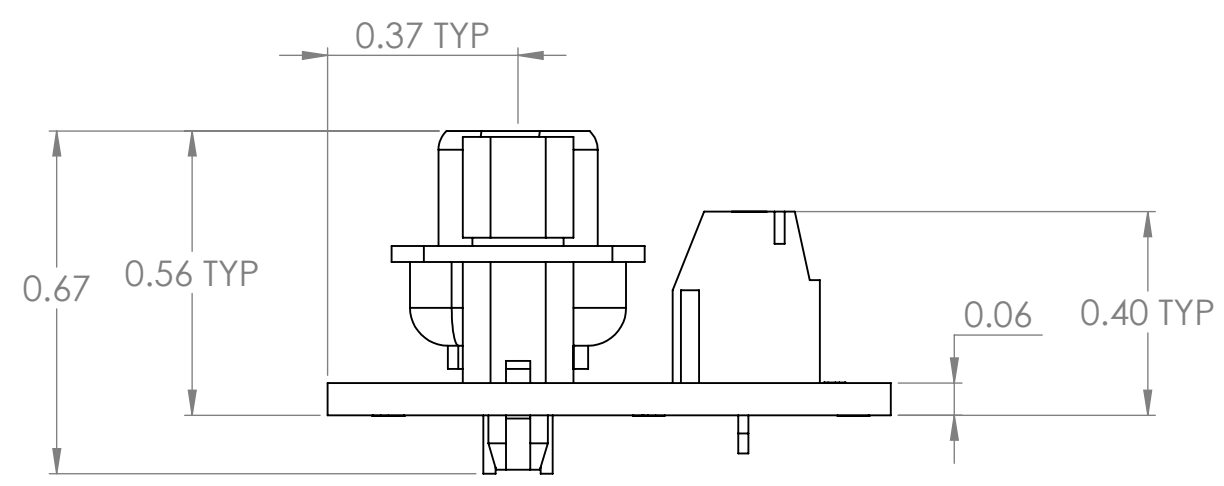
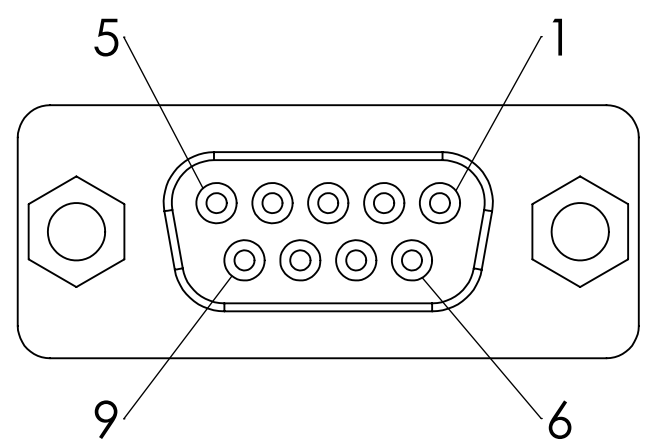
B



A

A

Connector Pinout
(Female)




4

3

2

1

DIM: INCH	DATE: 08/27/2021	RoHS COMPLIANT: Yes	DESCRIPTION:
 WINFORD ENGINEERING, LLC 4561 GARFIELD ROAD AUBURN, MI 48611			DB9 Female Tiny Breakout Board
www.winford.com		989-671-9721	PART NUMBER (S) BRKTD9F-S
			PART REVISION A