

4

3

2

1

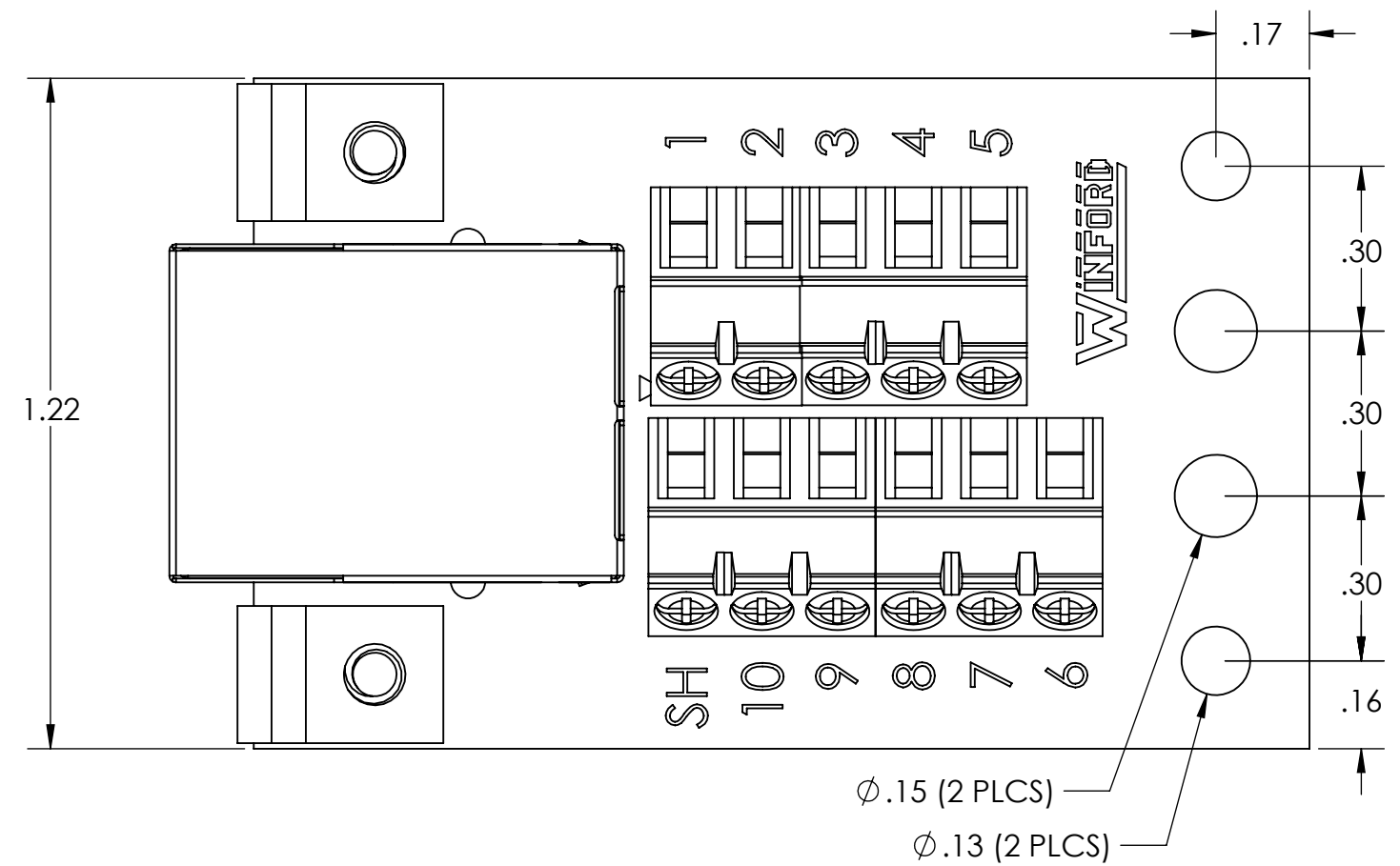
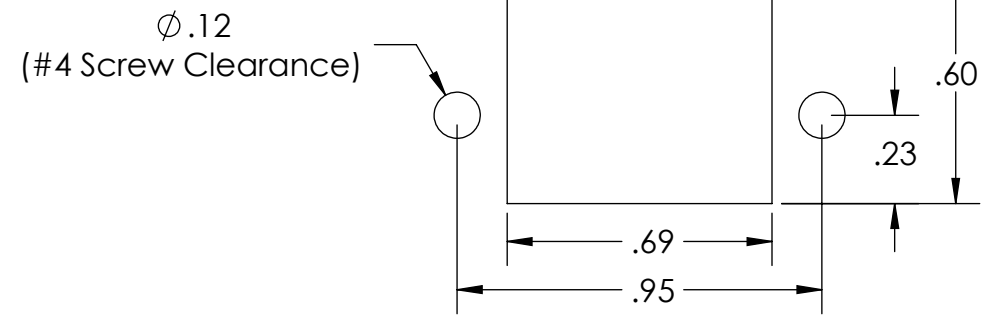
B

B

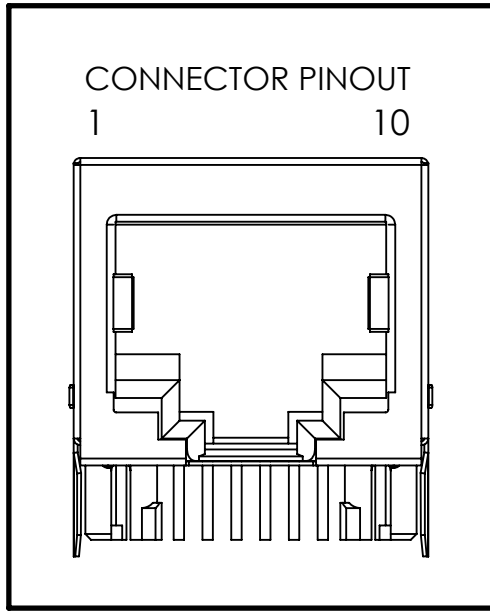
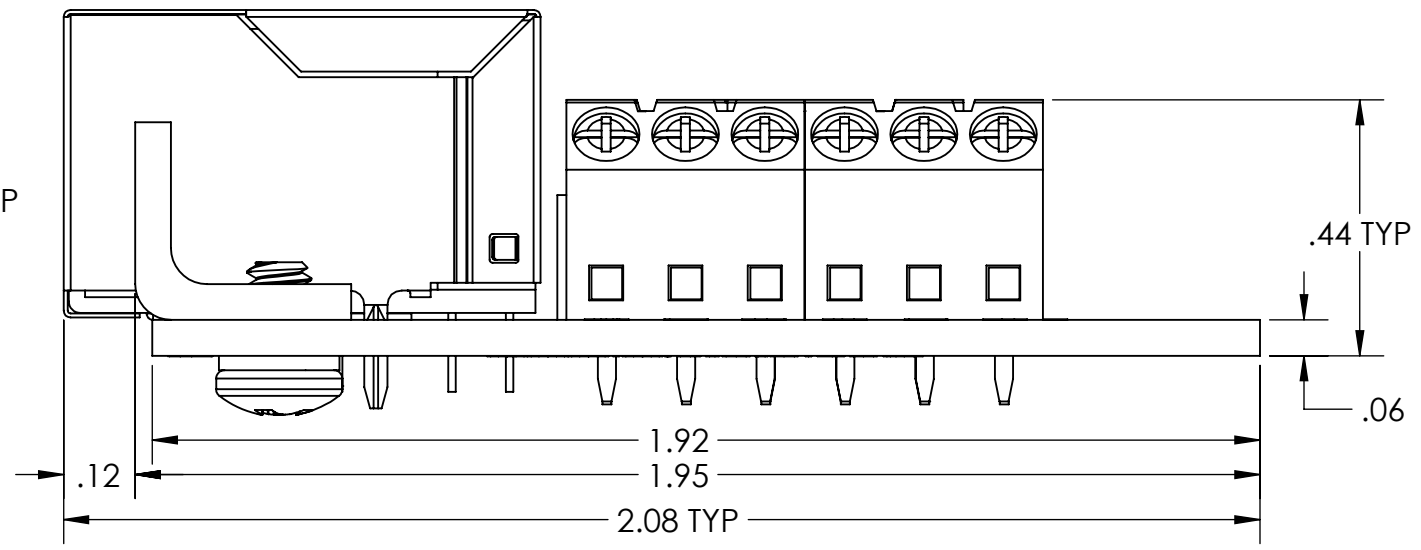
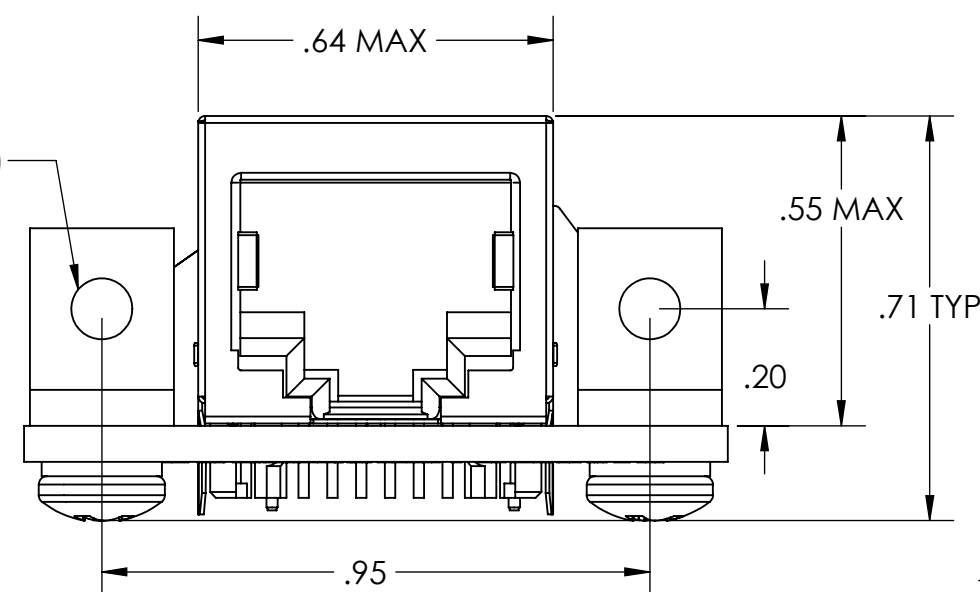
A


A

PANEL CUTOUT



#4-40 Threads (2 PLCS)



DIM: INCH	DATE: 01/05/2020	RoHS COMPLIANT: YES	DESCRIPTION:
 WINFORD ENGINEERING, LLC 4561 GARFIELD ROAD AUBURN, MI 48611			RJ50 Panel Mount Breakout
www.winford.com		989-671-9721	PART NUMBER (S) BRKSM10P10CSJ-R-P
			PART REVISION A

4

3

2

1