

4

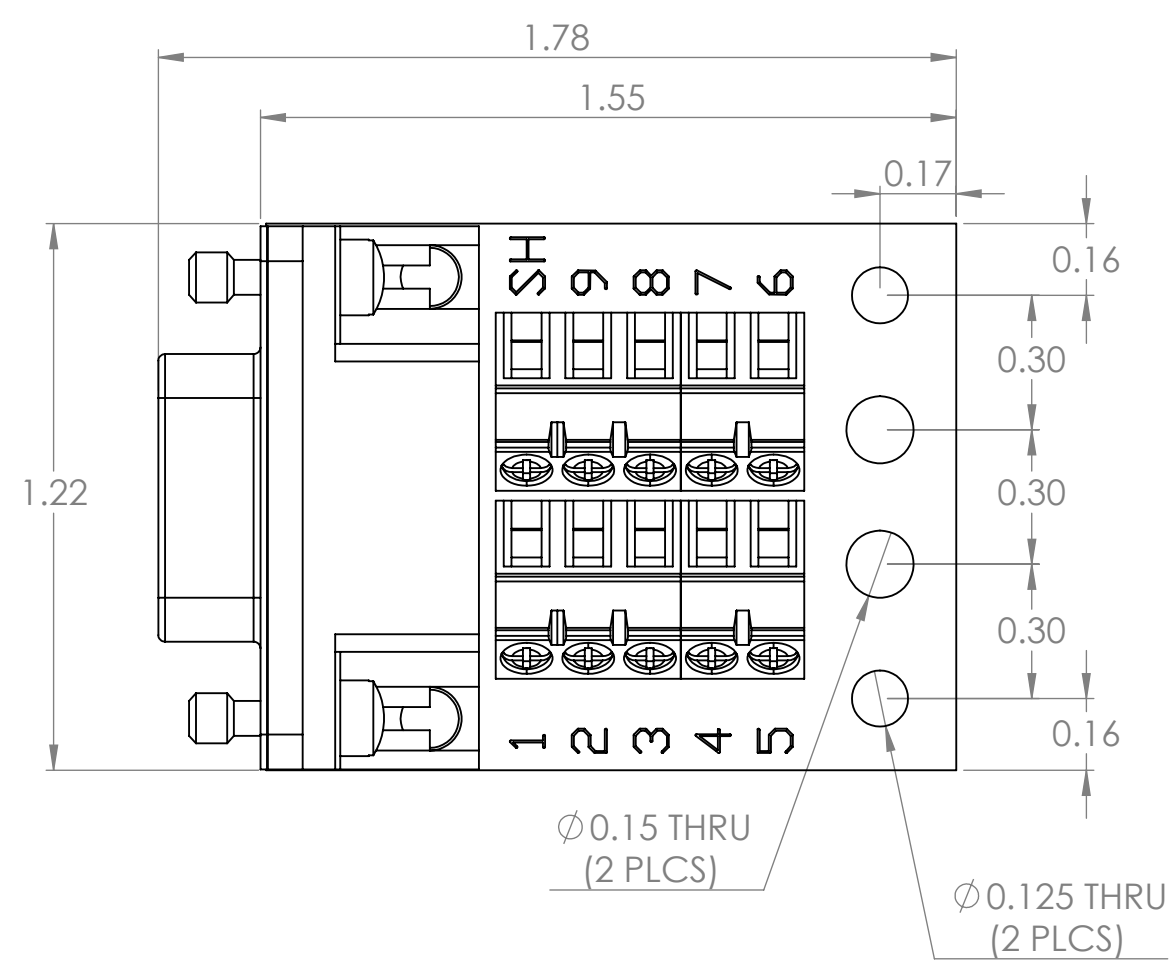
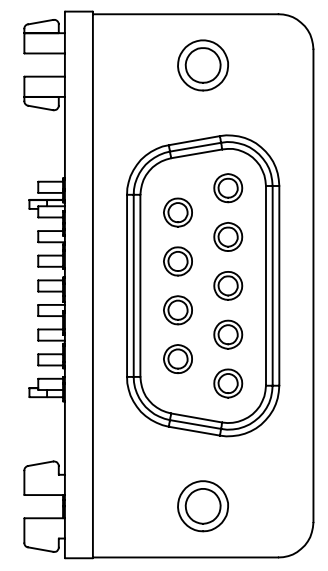
3

2

1

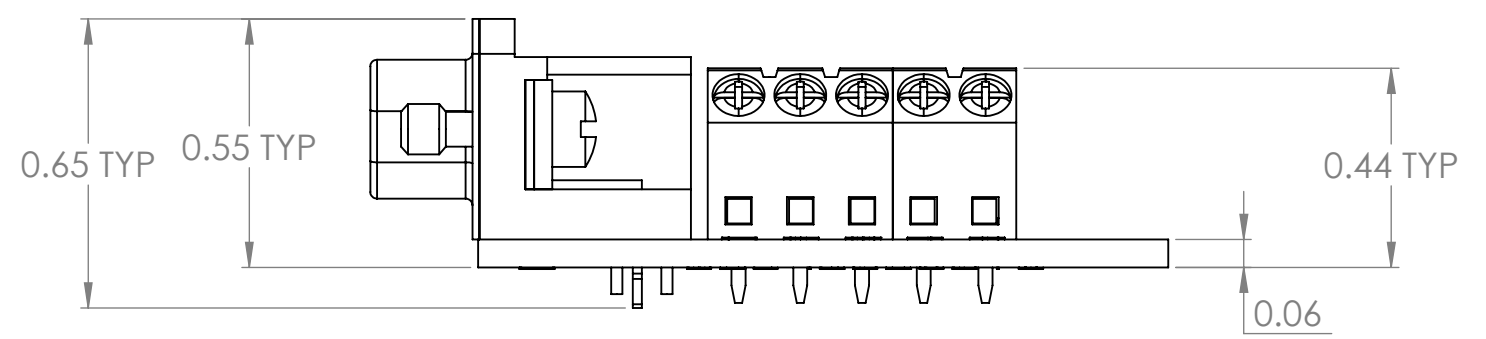
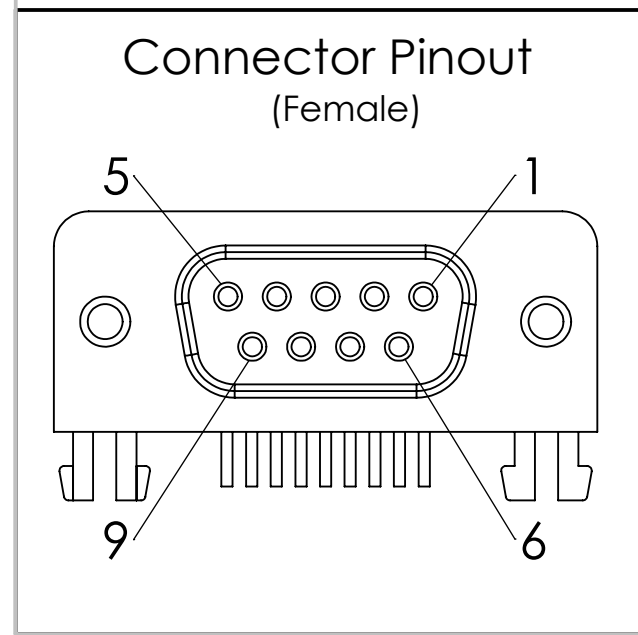
B

B



A

A




4

3

2

1

DIM: INCH	DATE: 08/25/2021	RoHS COMPLIANT: Yes	DESCRIPTION:
 WINFORD ENGINEERING, LLC 4561 GARFIELD ROAD AUBURN, MI 48611			<b>DB9 Female Slim Breakout Board</b>
www.winford.com		989-671-9721	PART NUMBER (S) <b>BRKSD9F-C</b>
			PART REVISION <b>A</b>