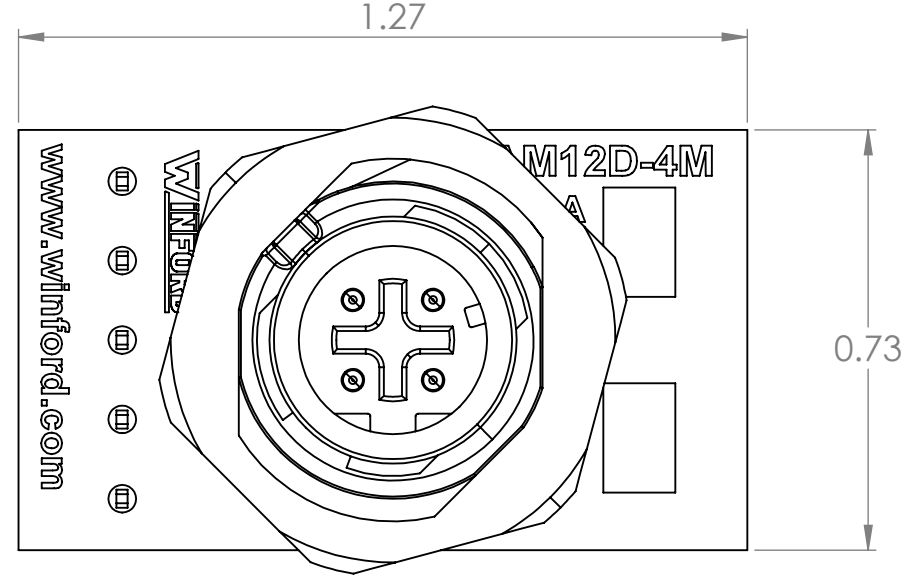
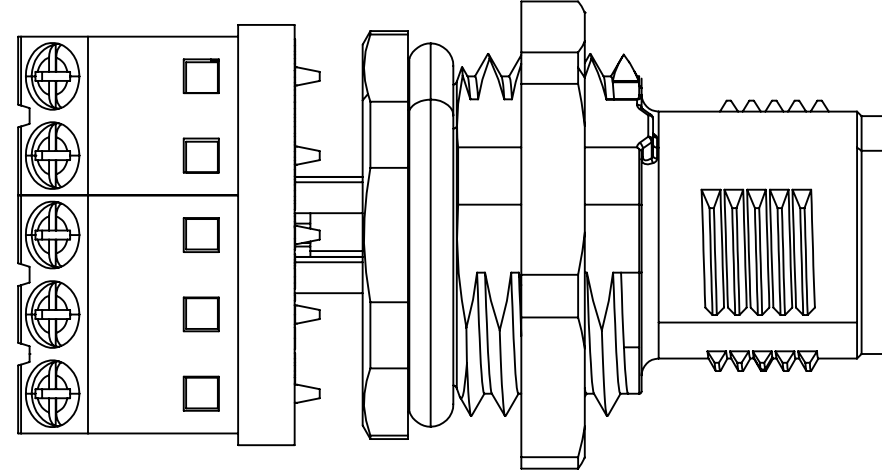
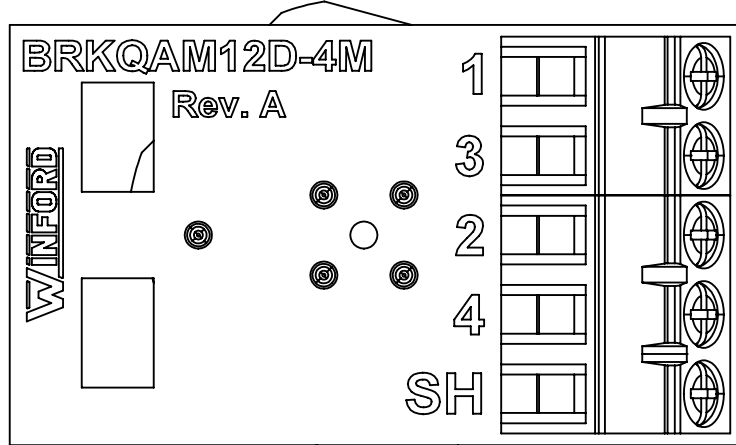


4

3

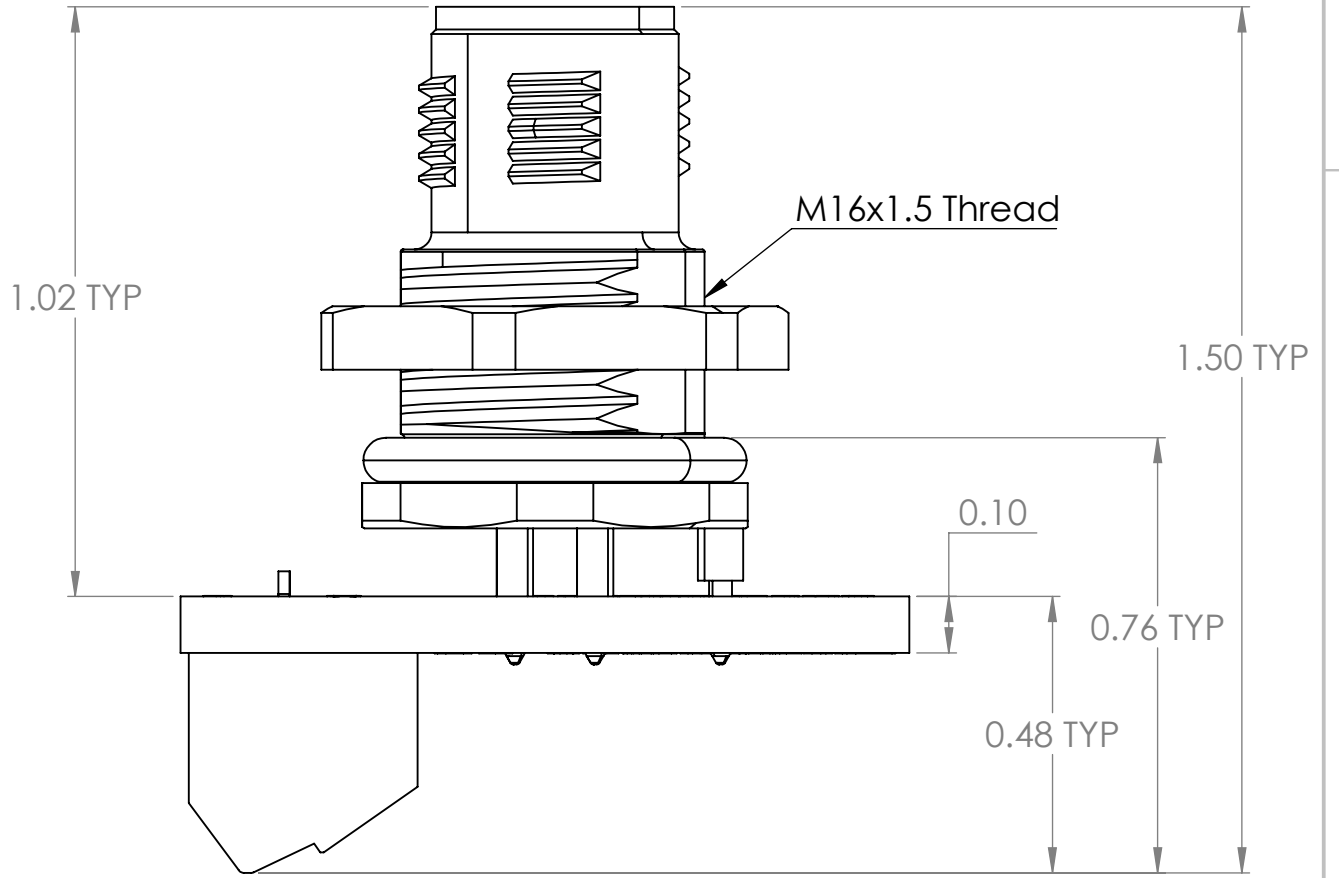
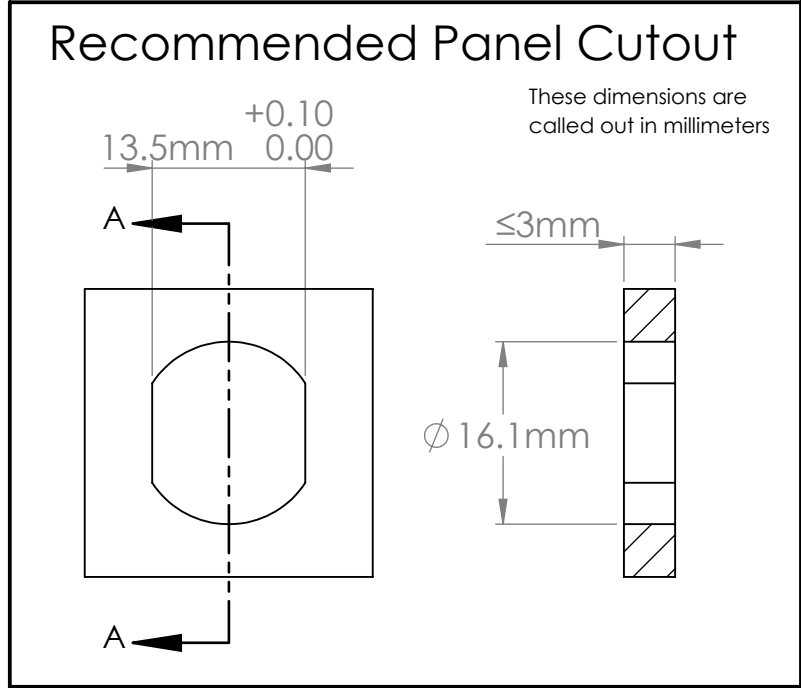
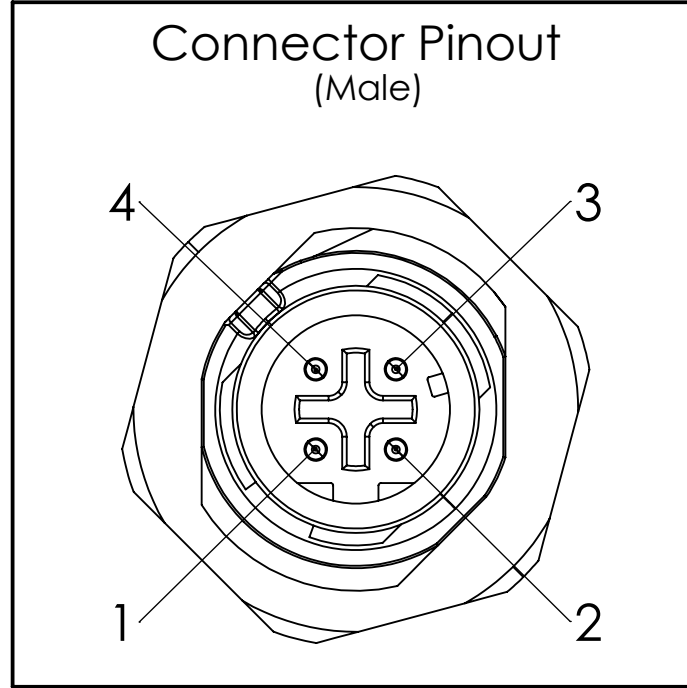
2

1



B

B



A

A

DIM: INCH	DATE: 3/13/2023	RoHS COMPLIANT: Yes	DESCRIPTION: M12 4 PIN D Coded Male Breakout Board
WINFORD ENGINEERING, LLC 4561 GARFIELD ROAD AUBURN, MI 48611			PART NUMBER (S) BRKQAM12D-4M-A
www.winford.com			PART REVISION A

4

3

2

1