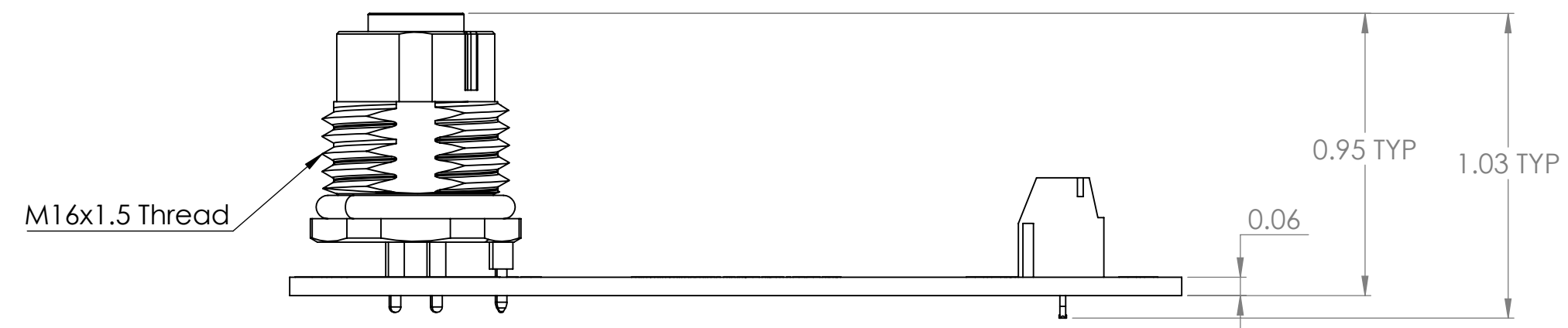
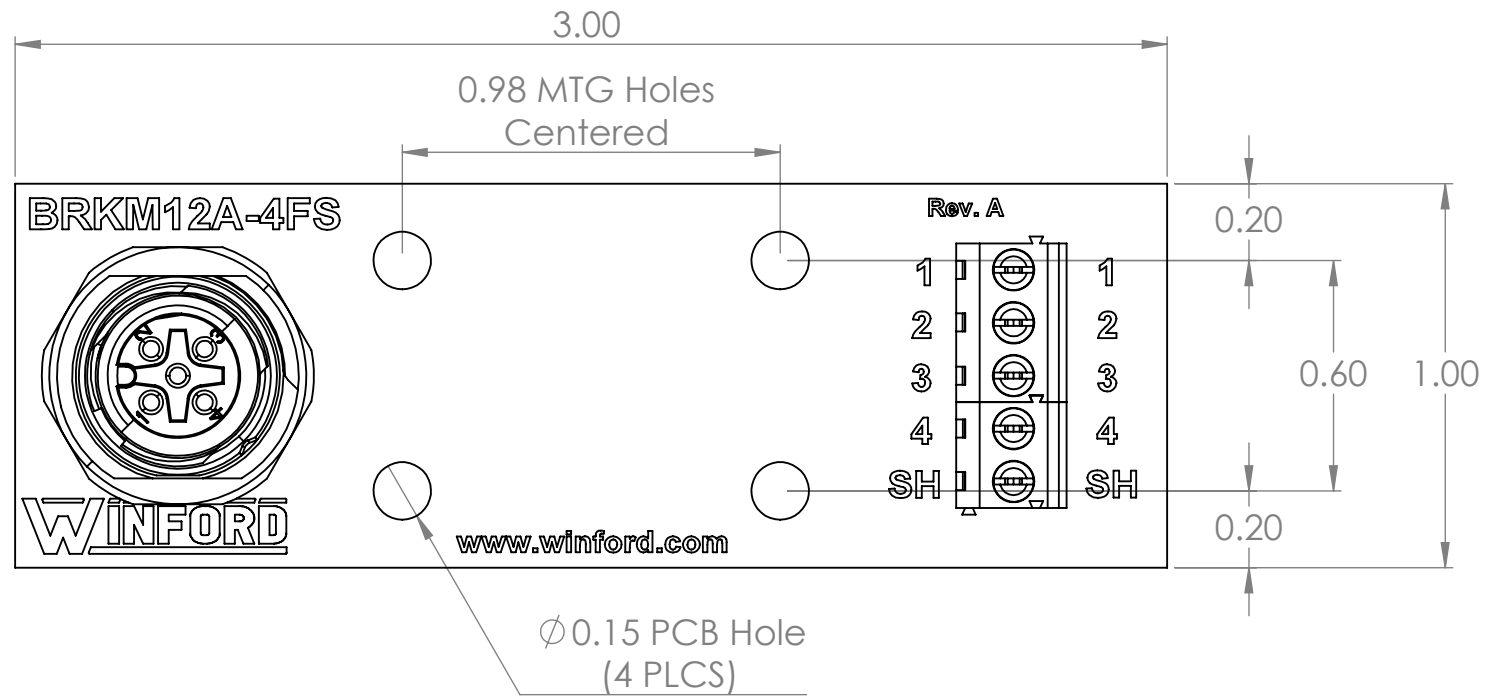
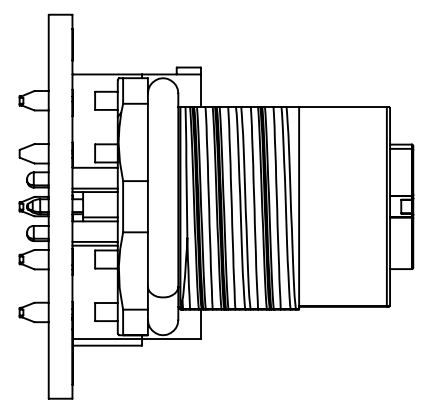


4

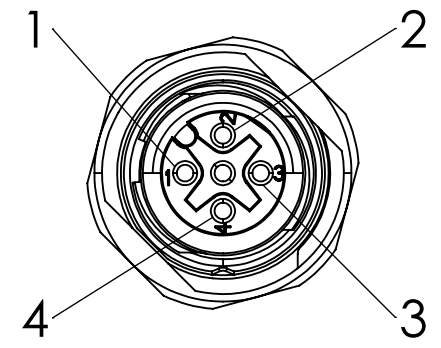
3


2

1



Connector Pinout (Female)



DIM: INCH	DATE: 01/24/2022	RoHS COMPLIANT: Yes	DESCRIPTION:
 WINFORD ENGINEERING, LLC 4561 GARFIELD ROAD AUBURN, MI 48611			M12 4 Pin Female Breakout Board
www.winford.com		989-671-9721	PART NUMBER (S) <b>BRKM12A-4FS-N</b>
			PART REVISION <b>A</b>

4

3

2

1